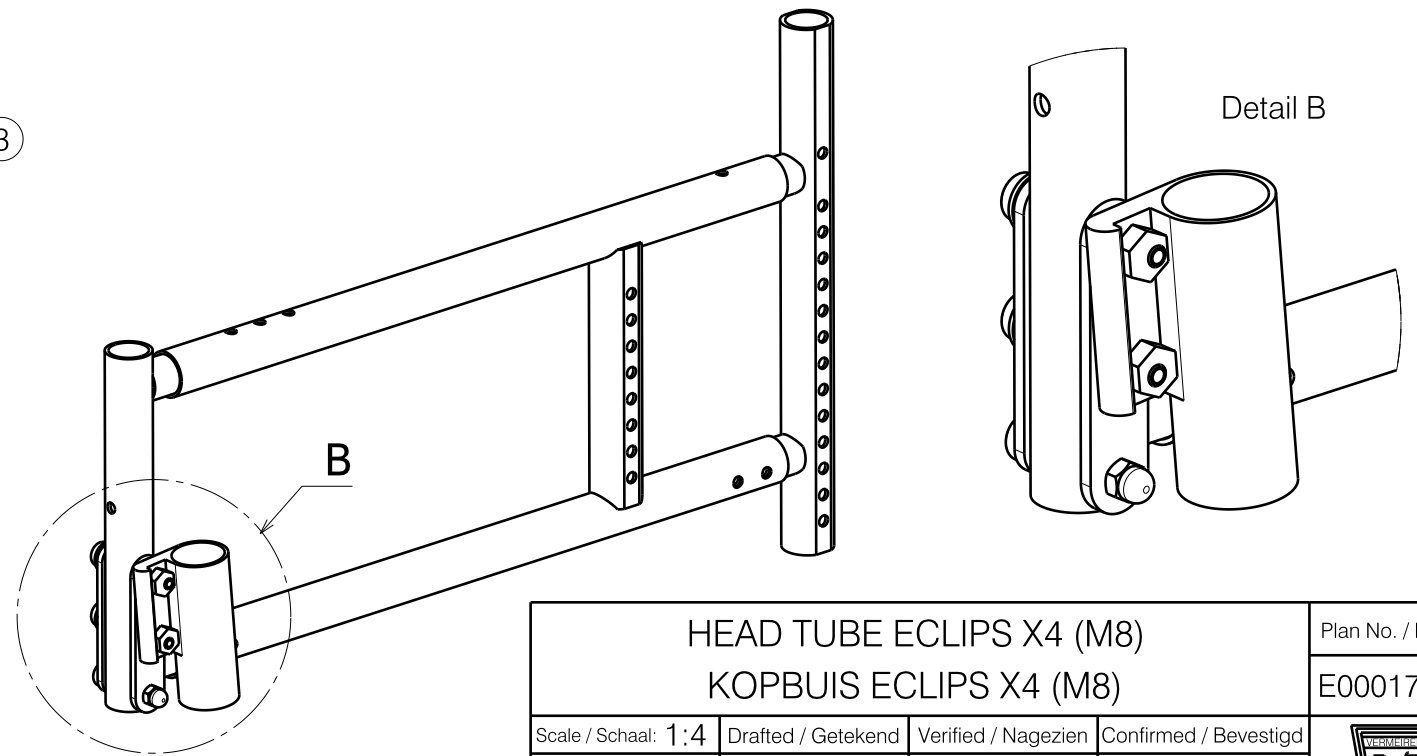
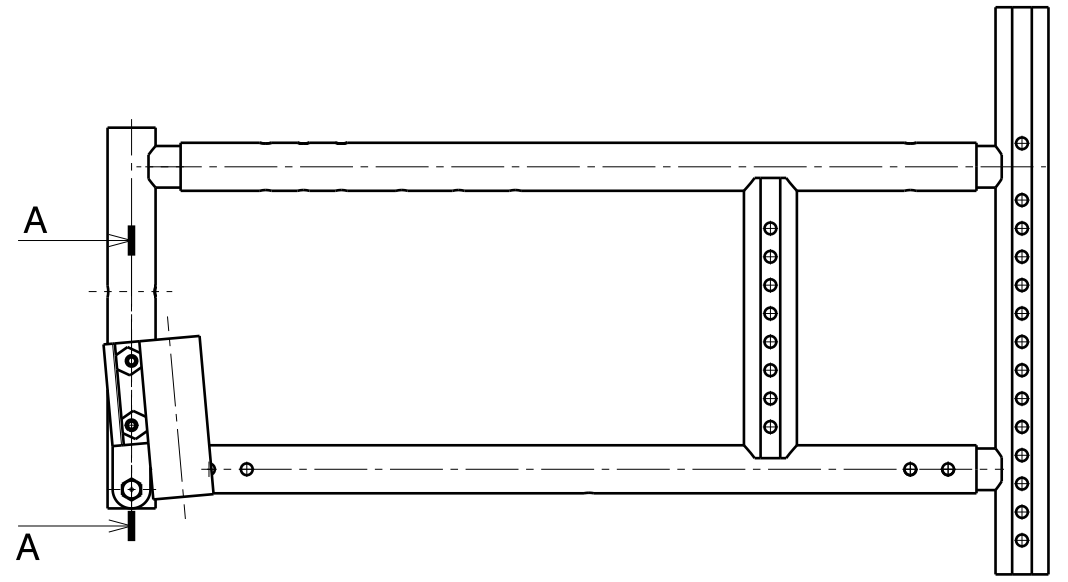
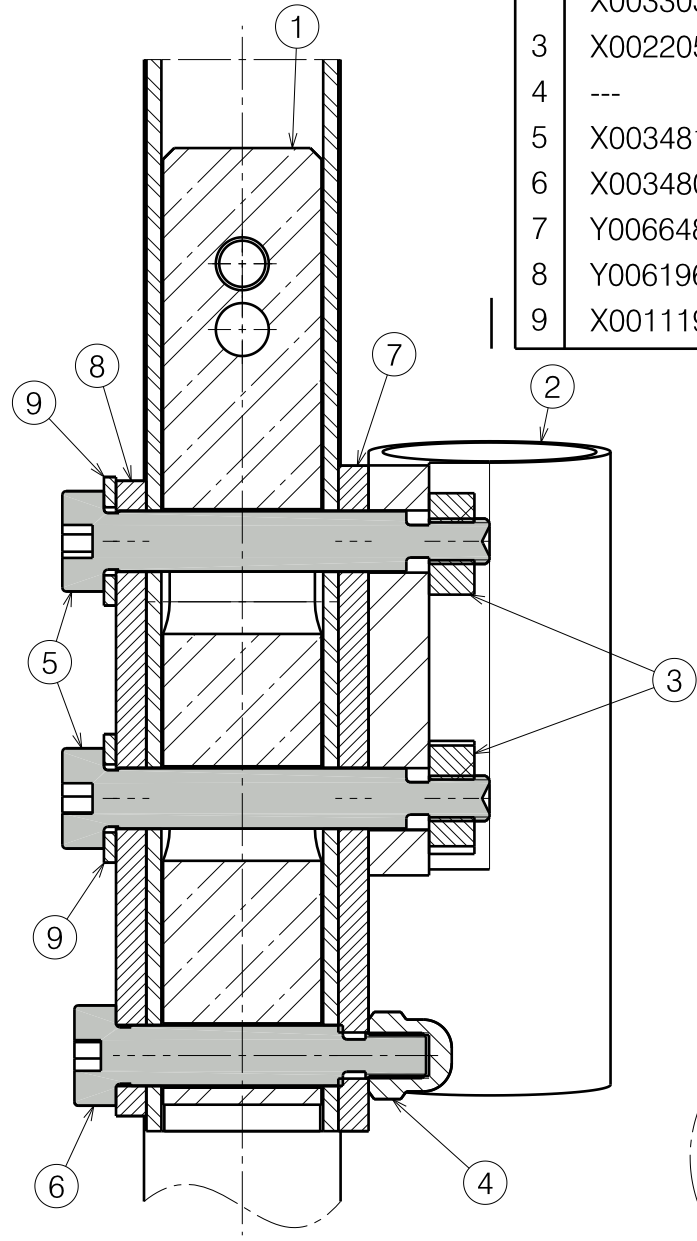



Section / Doorsnede A-A

1	X003384	1997149
2	X003302 (R) X003303 (L)	1596282 1596382
3	X002205	1489300
4	---	1008492
5	X003481	1996587
6	X003480	1996670
7	Y006648	1595182
8	Y006196	1595004
9	X001119	1001554



HEAD TUBE ECLIPS X4 (M8)				Plan No. / Plannr.
KOPBUIS ECLIPS X4 (M8)				E000170/B
Scale / Schaal: 1:4	Drafted / Getekend	Verified / Nagezien	Confirmed / Bevestigd	
Date / Datum	20/10/2004	02/03/2007	02/03/2007	
Init. / Init.	SD	SD	PJ	