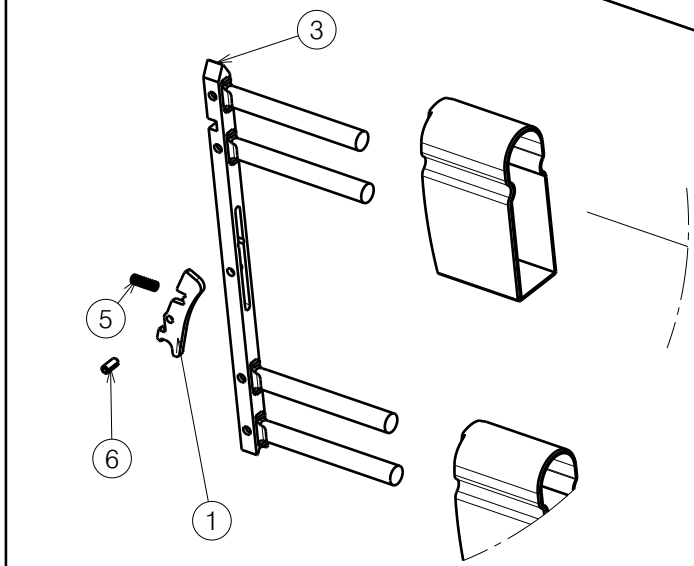
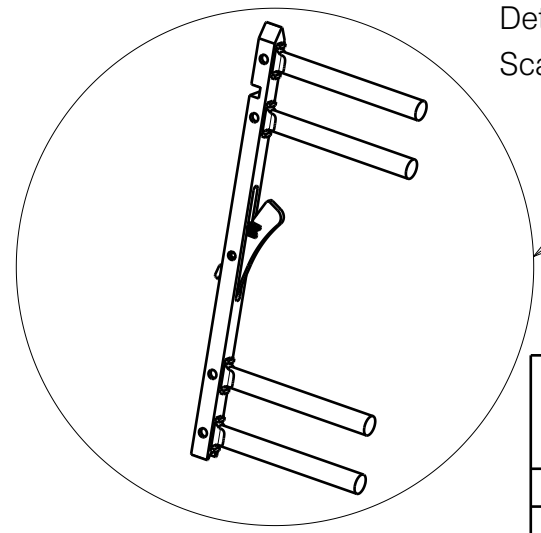


A

| Material | | | |
|----------|----------------|---------|----------|
| No. | Plan | Article | Quantity |
| 1 | YP05103 | 2899400 | 2 |
| 2 | XP01354 | 2992393 | 4 |
| 3 | XP01346 | 2992391 | 2 |
| 4 | XP01353 | 2992927 | 2 |
| 5 | XP01350 | 2899900 | 2 |
| 6 | D4x10 DIN 1481 | 2992925 | 2 |
| 7* | --- | US00011 | 1 |
| 8** | --- | U000119 | 1 |



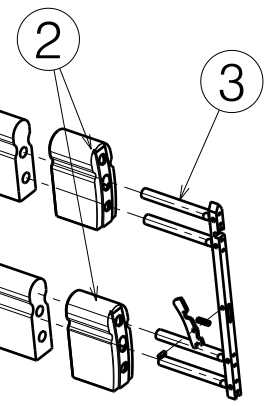
Detail A
Scale: 1:4



Detail A (After assembly)
Scale: 1:4

| 1911982 - complete

*Polish client - not depicted
**International client - not depicted



EP00200 / H

| | | | | |
|---|------------|------------|------------|-------------------------|
| SIDEBARS 969 (Luna 2 Luna Basic 2) | | | | Plan No. EP00200 / H |
| Scale: 1:8 | Drafted | Verified | Confirmed | |
| Date | 25/03/2015 | 04/01/2023 | 04/01/2023 | |
| Initials | AZ | PM | TK | |