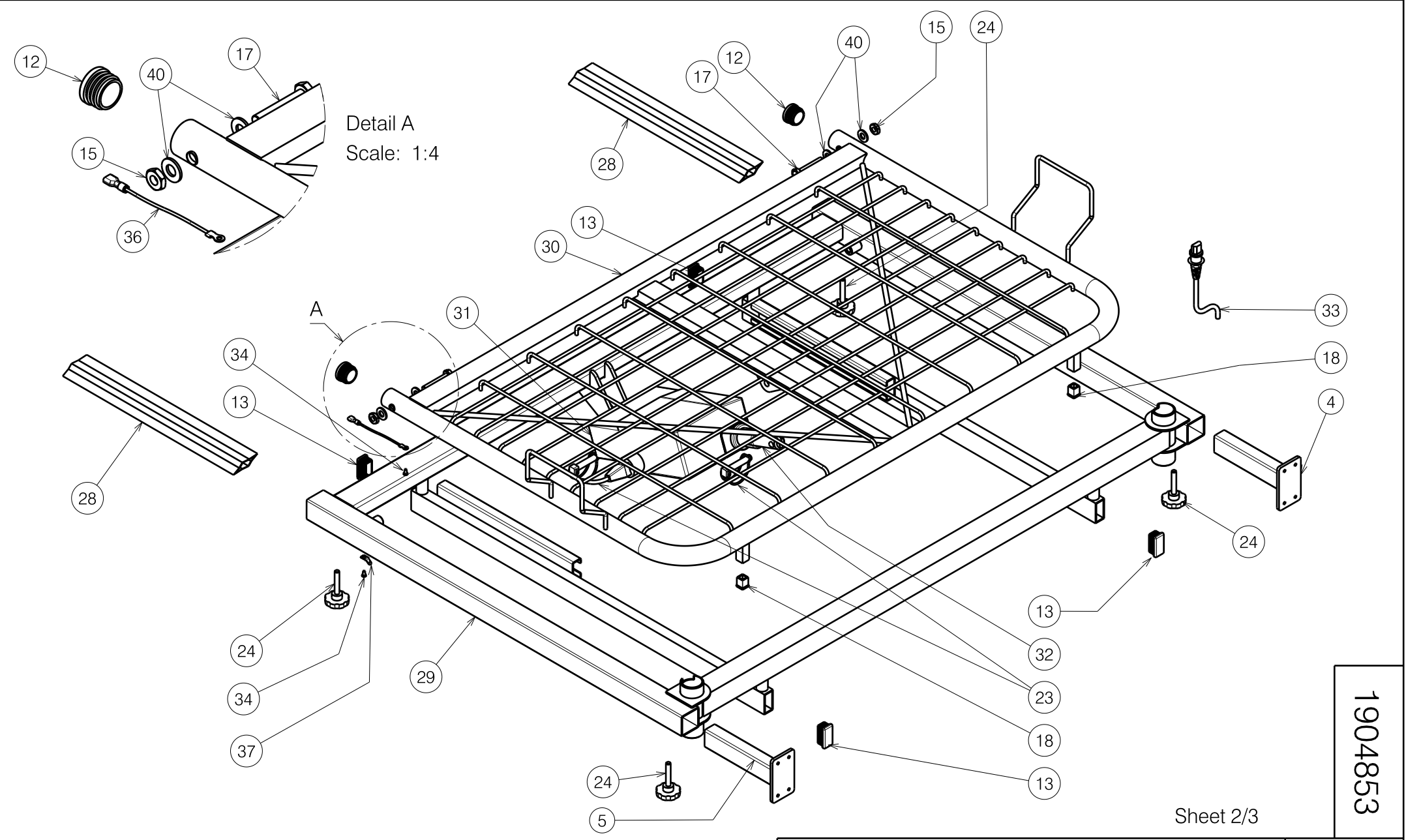


Detail B
Scale: 1:4

Sheet 1/3


1904853

FOOT END SIDE 977E/120				Plan No. / Plannr. E000518/J
Scale / Schaal: 1:8	Drafted / Getekend	Verified / Nagezien	Confirmed / Bevestigd	
Date / Datum	23/10/2008	22/10/2019	22/10/2019	
Init. / Init.	TM	SD	PJ	



1904853

Sheet 2/3

HEAD SIDE 977E/120				Plan No. / Plannr.
				E000518/J
Scale / Schaal: 1:8	Drafted / Getekend	Verified / Nagezien	Confirmed / Bevestigd	
Date / Datum	23/10/2008	22/10/2019	22/10/2019	
Init. / Init.	TM	SD	PJ	

Material / Materiaal			
No. / Nr.	Plan	Article / Artikel	Number
1	X001016	1001682	4
2	X001158	G003317	2
3	X002308	1993121	4
4	Y004196	15090..	2
5	Y004197	15091..	2
6	Y014462	17050..	1
7	Y014472	17052..	1
8	Y014473	17053..	1
9	M8x30 DIN933/8.8	1001443	2
10	M8x50 DIN933/8.8	1001446	2
11	M6x25 DIN912/8.8	1001494	2
12	Ø32	1001610	4
13	40x20	1001615	8
14	M6	1001680	2
15	M10	1903216	4
16	Ø8.4xØ17x1.6	1003199	6
17	X002720	1551600	4
18	15x15	1005899	6
19	M6x25	1006998	4
20	X002326	1991982	2
21	VGf M8x20	1001580	2
22	---	1903437	1
23	Ø10x50	1998885	4
24	VGf M8x45	2990016	6
25	Y004576	15120..	1

Material / Materiaal			
No. / Nr.	Plan	Article / Artikel	Number / Aantal
26	Ø4x16	1003021	2
27	---	1901059	1
28	Y004202	15163..	2
29	Y014465	17051..	1
30	Y014474	17054..	1
31	---	1999754	1
32	---	1903436	1
33	---	1902971	1
34	Ø3.9x9.5	1001530	7
35	---	1999943	1
36	XP00531	2990620	3
37	Ø6.3	2990651	4
38	---	T001065	1
39	---	1001583	4
40	Ø21xØ10.5x2	1001557	8

Sheet 3/3

1904853

BED FRAME 977E / 120				Plan No. / Plannr.
				E000518/J
Scale / Schaal: 1:8	Drafted / Getekend	Verified / Nagezien	Confirmed / Bevestigd	
Date / Datum	23/10/2008	22/10/2019	22/10/2019	
Init. / Init.	TM	SD	PJ	