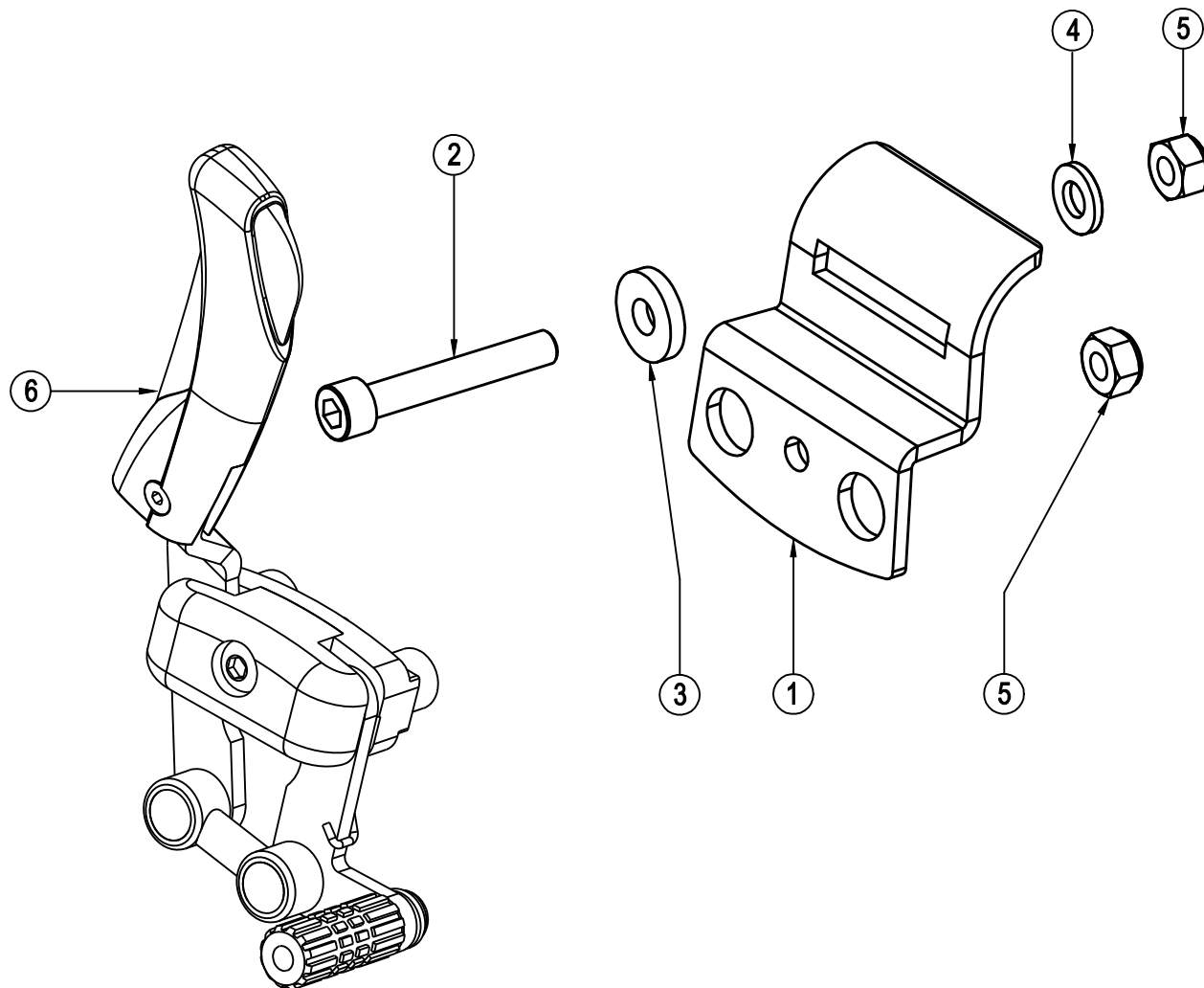


Material

NO.	Plan	Article	Number
1	YC00397	1C17654	1
2	---	1003909	1
3	---	1003321	1
4	---	1001564	1
5	---	1001680	2
6	EC00237	3991651	1



EC00239/A

B40 BRAKE LEFT D100/D200 2014			Plan No. / Plannr.
			EC00239/A
Scale / Schaal: 1 : 1	Drafted / Getekend	Verified / Nagezien	Confirmed / Bevestigd
Date / Datum	02/09/2014	02/09/2014	02/09/2014
Init. / Init.	Betty	JJQ	TG

