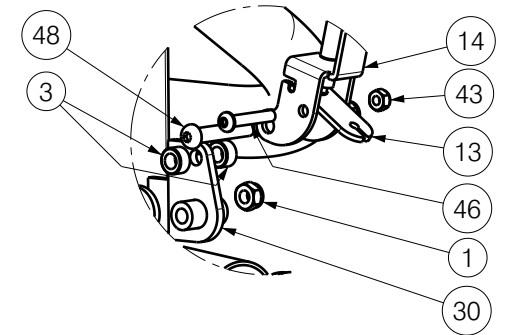
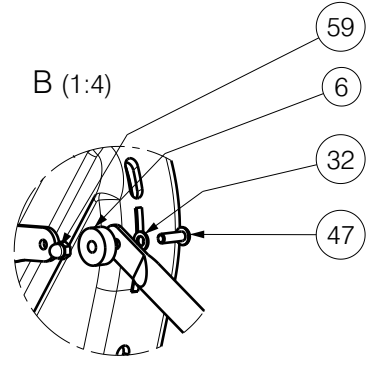
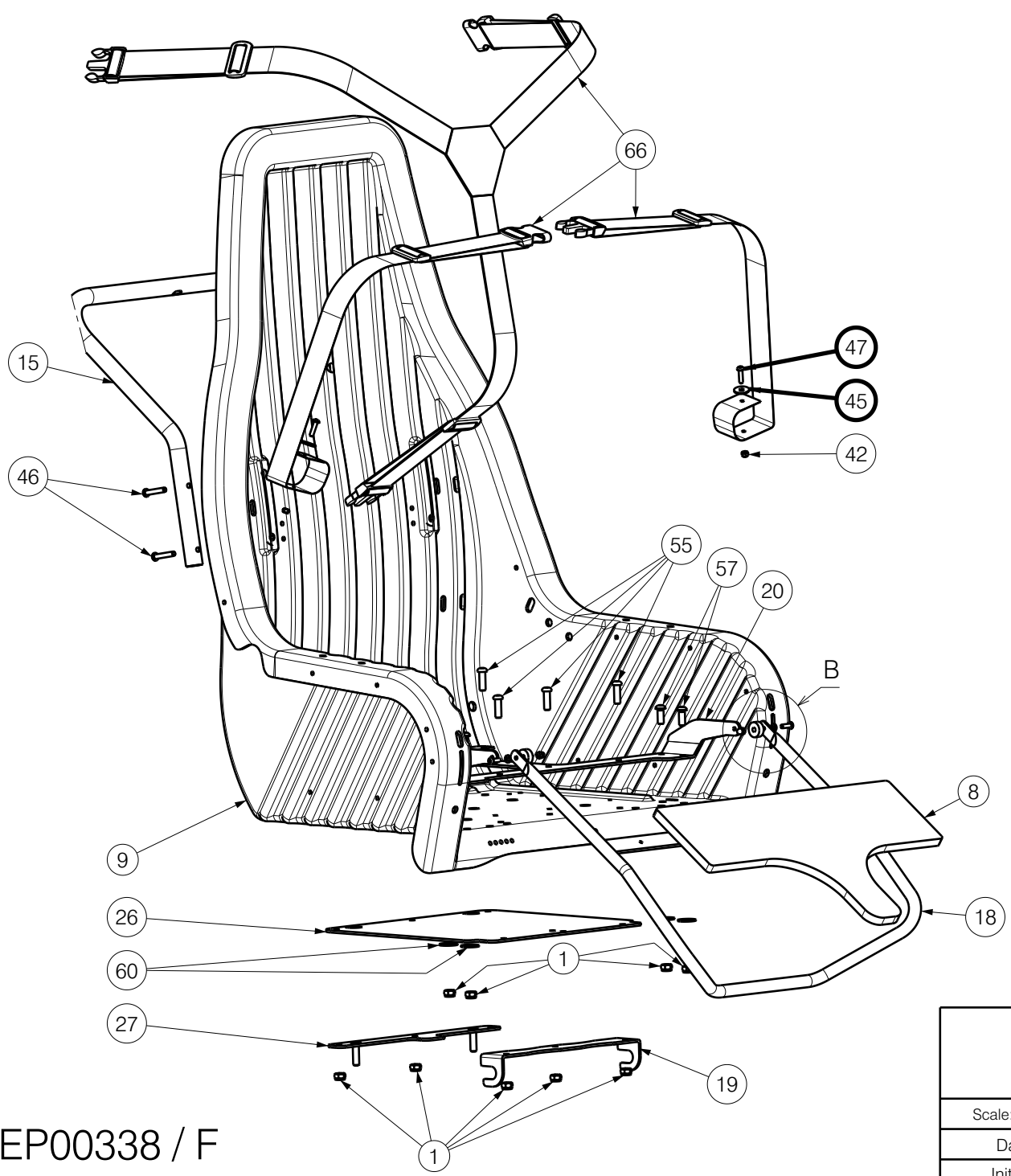


A (1:4)




EP00338 / F

EDEN				Plan No.
				1/4 EP00338/ F
Scale: 1:8	Drafted	Verified	Confirmed	
Date	15/10/2018	30/09/2021	30/09/2021	
Initials	DR	PM	TK	

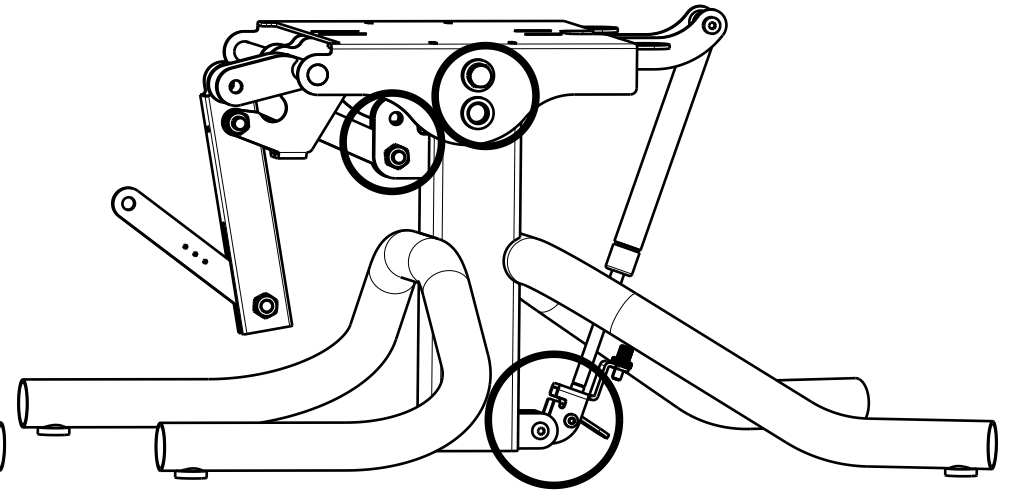
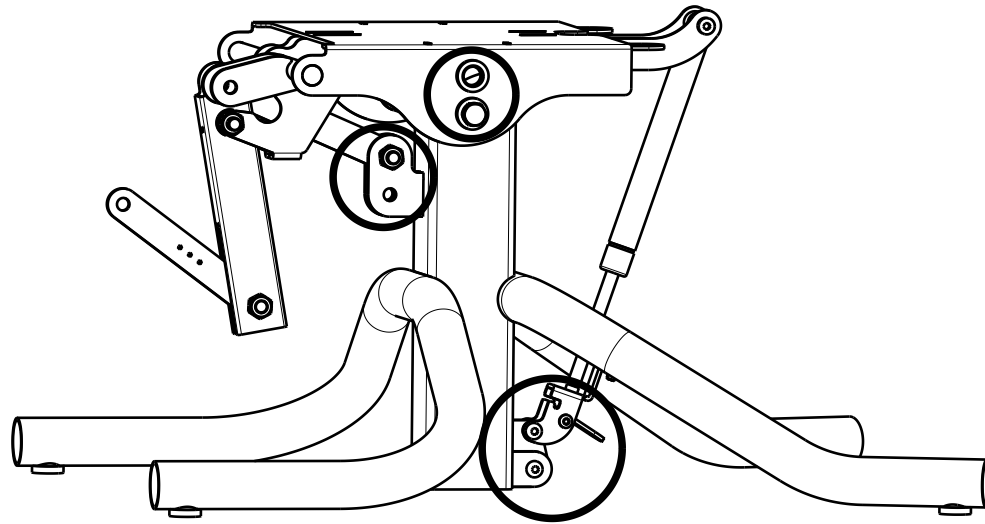


EP00338 / F

EDEN				Plan No.
				2/4 EP00338/ F
Scale: 1:8	Drafted	Verified	Confirmed	
Date	15/10/2018	30/09/2021	30/09/2021	
Initials	DR	PM	TK	

Upper position:

Lower position:



EP00338 / F


EDEN				Plan No.
				3/4 EP00338/ F
Scale: 1:8	Drafted	Verified	Confirmed	
Date	15/10/2018	30/09/2021	30/09/2021	
Initials	DR	PM	TK	

Material			
No.	Plan	Article	Quantity
1	X001016	1001682	13
2	X002029	1991841	4
3	X002708	1996783	2
4	X003646	1999963	1
5	X005000	1767900	2
6	XP00099 (38)	2990067	2
7	XP00782	1909147	1
8	XP01034 (48)	HP00196	1
	XP01078 (44)	HP00210	1
	XP01061 (38)	HP00204	1
9	XP01250	2992293	1
10	XP01316	2894400	1
11	XP01318	2894100	1
12	XP01327	2895700	1
13	Y011652	1655200	1
14	Y011660	1655500	1
15	YP00541	18216	1
16	YP04047	28457	1
17	YP04048	28456	1
18	YP04051 (48)	28459	1
	YP04412 (44)	28821	1
	YP04330 (38)	28815	1
19	YP04061	2846700	1
20	YP04079 (48)	28468	1
	YP08251 (44)	26120	1
	YP04415 (38)	28822	1
21	YP04088	28455	1
22	X005136	1910092	2
23	YP04164	28470	1
24	YP04168	28471	1
25	-	-	-
26	YP04343	28816	1
27	YP04386	28519	1
28	YP06666	27330	1

Material			
No.	Plan	Article	Quantity
29	YP06667	27331	1
30	YP06670	27332	1
31	Pin 6x26	G040500	1
32	Washer M5 DIN125	1000972	2
33	M10x50 DIN933	1001453	2
34	Winget Nut M8	1001517	2
35	Washer M8 DIN125	1001556	1
36	Washer M10 DIN125	1001557	4
37	Washer M10 DIN127B	1001566	2
38	Washer M8 DIN127A	1001570	2
39	Rivet 4,8x17	1001586	1
40	Tube Cap D25	1001608	1
41	Tube Cap D38	1001611	4
42	Nut M5 DIN985	1001679	2
43	Nut M6 DIN985	1001680	1
44	Nut M10 DIN985	1001683	6
45	Washer M5 DIN9021	1005138	3
46	M6x35	1006057	5
47	M5x16 (38/44,48)	1006112	4/6
	M5x20 (38)	1998368	2
48	M8x45	1994473	1
49	M10x35	1009442	2
50	M8x60	1997781	1
51	M10x53	1551600	1
52	Regulating Screw M7	1900008	1
53	M8x50	1902483	1
54	Wheels 50mm	1908666	4
55	M8x25	1990501	6
56	M5x5 DIN916	1991323	1
57	M8x20	1992349	4

Material			
No.	Plan	Article	Quantity
58	Pin Ø8x40	1992510	1
59	Nut M5 DIN986	1992804	2
60	Washer M8 DIN9021	1996574	6
61	Brake handle	1996806	1
62	Gas spring	1996871	1
63	-	-	-
64	-	-	-
65	M10x30	2991162	3
66	Set of belts	2991544	1

EP00338 / F

EDEN				Plan No.
4/4				EP00338/ F
Scale: 1:8	Drafted	Verified	Confirmed	
Date	15/10/2018	30/09/2021	30/09/2021	
Initials	DR	PM	TK	