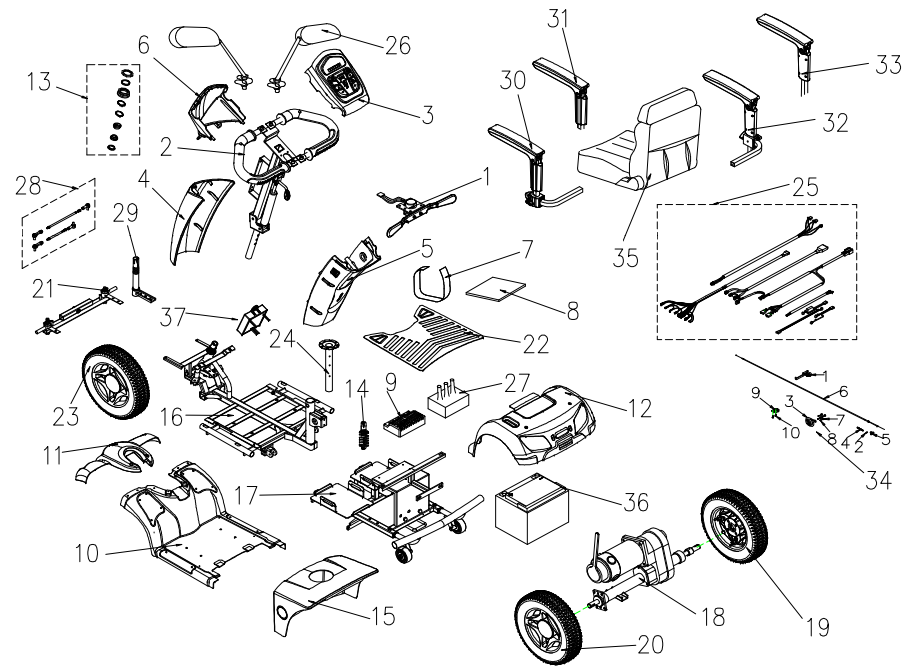


**Carpo 4 Limited Edition (ML4SB) Parts List (2012.08.17)**

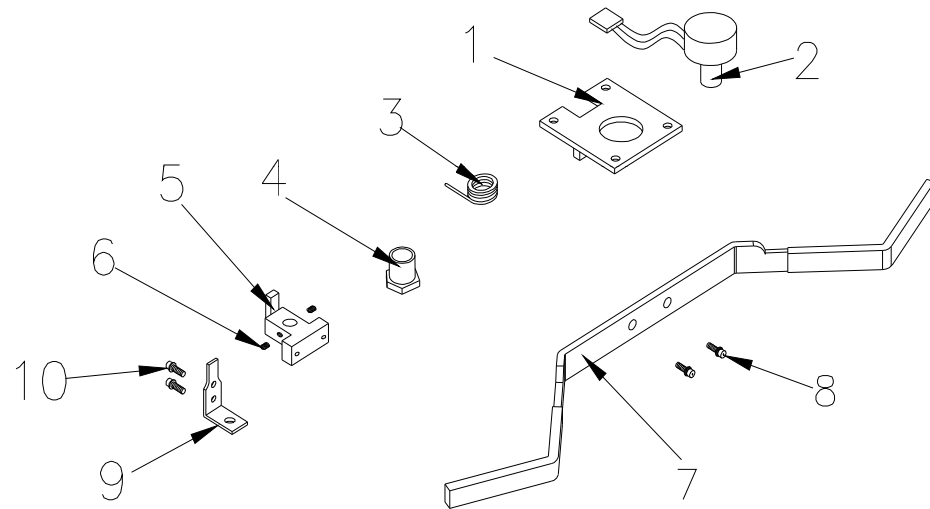


Carpo 4 Limited Edition (ML4SB) Parts List (2012.08.17)				
Fig&Index NO.	Parts No.	Parts Name	QTY.	Remark
		English		
1	S12-051-00100	SPEED DIAL ASS'Y	1SET	
2	S02-051-00100	DELTA TILLER ASS'Y	1SET	
3	S08-051-00161	COVER , HANDLE BAR ASS'Y , UPPER , BE 01	1SET	
3	S08-051-00961	COVER , HANDLE BAR ASS'Y , UPPER	1SET	
4	C08-051-00571	FRONT COVER , HAND BAR , SILVER 71	1	
4	C08-051-00543	FRONT COVER , HAND BAR , GREEN 43	1	
4	C08-051-00591	FRONT COVER , HAND BAR , WHITE 91	1	
4	C08-051-00566	FRONT COVER , HAND BAR , BLACK 66	1	
5	S08-051-00671	REAR COVER ASS'Y , HAND BAR , SILVER 71	1SET	
5	S08-051-00643	REAR COVER ASS'Y , HAND BAR , GREEN 43	1SET	
5	S08-051-00691	REAR COVER ASS'Y , HAND BAR , WHITE 91	1SET	
5	S08-051-00666	REAR COVER ASS'Y , HAND BAR , BLACK 66	1SET	
5	S08-051-00682	REAR COVER ASS'Y , HAND BAR , BROWN 82	1SET	
6	S08-051-00271	COVER ASS'Y , HANDLE BAR , LOWER , SILVER 71	1SET	
6	S08-051-00291	COVER ASS'Y , HANDLE BAR , LOWER , WHITE 91	1SET	
6	S08-051-00266	COVER ASS'Y , HANDLE BAR , LOWER , BLACK 66	1SET	
6	S08-051-00282	COVER ASS'Y , HANDLE BAR , LOWER , BROWN 82	1SET	
7	C31-029-00101	VELCRO STRIP , BATTERY	1	
8	C25-005-00100	RUBBER PAD , BATTERY	1	
9	C10-029-00300	CONTROLLER , DYNAMIC 160A	1	BEFORE P118275 USE
9	C10-029-00400	CONTROLLER , DYNAMIC 160A , FOR RHINO 2	1	AFTER P118276 USE
10	S08-051-00571	MIDDLE SHROUD ASS'Y , SILVER 71	1SET	
10	S08-051-00543	MIDDLE SHROUD ASS'Y , GREEN 43	1SET	
10	S08-051-00591	MIDDLE SHROUD ASS'Y , WHITE 91	1SET	
10	S08-051-00566	MIDDLE SHROUD ASS'Y , BLACK 66	1SET	
10	S08-051-00582	MIDDLE SHROUD ASS'Y , BROWN 82	1SET	
11	S08-051-00771	FRONT SHROUD ASS'Y , SILVER 71	1SET	
11	S08-051-00743	FRONT SHROUD ASS'Y , GREEN 43	1SET	
11	S08-051-00782	FRONT SHROUD ASS'Y , BROWN 82	1SET	
11	S08-051-00791	FRONT SHROUD ASS'Y , WHITE 91	1SET	
11	S08-051-00766	FRONT SHROUD ASS'Y ,BLACK 66	1SET	

### Carpo 4 Limited Edition (ML4SB) Parts List (2012.08.17)

Fig&Index NO.	Parts No.	Parts Name		QTY.	Remark
		English			
12	S08-051-00371	REAR SHROUD ASS'Y , SILVER 71, W/O LABEL		1SET	
12	S08-051-00343	REAR SHROUD ASS'Y , GREEN 43, W/O LABEL		1SET	
12	S08-051-00382	REAR SHROUD ASS'Y , BROWN 82, W/O LABEL		1SET	
12	S08-051-00391	REAR SHROUD ASS'Y , WHITE 91, W/O LABEL		1SET	
12	S08-051-00366	REAR SHROUD ASS'Y , BLACK 66, W/O LABEL		1SET	
13	S02-001-00601	REGULAR BEARING BALL SET		1SET	
14	C04-022-00501	ABSORBER , 750LBS		1	
15	S08-051-00461	COVER ASS'Y , BATTERY , BLACK 61 , W/O LABEL		1SET	
16	S01-051-00200	FRAME,FRONT SECTION ASS'Y		1SET	BEFORE P1144879 USE
16	S01-051-00201	FRAME,FRONT SECTION ASS'Y		1SET	AFTER P1144880 USE
17	S01-051-00100	FRAME , REAR SECTION ASS'Y		1SET	
18	S09-051-00200	REAR DRIVE ASS'Y ( WITH BOLT / NUT ) ,750W5500RPM20 : 1		1SET	
18	S09-051-00300	REAR DRIVE ASS'Y ( WITH BOLT / NUT ) ,750W5500RPM22 : 1		1SET	
18	S09-051-00500	REAR DRIVE ASS'Y ( WITH BOLT / NUT ) ,750W5500RPM20 : 1 , RHINO 2 USE		1SET	AFTER P118276 USE
19	S06-051-00100	REAR TIRE ASS'Y , BLACK , R		1SET	
20	S06-051-00200	REAR TIRE ASS'Y,BLACK, L		1SET	
21	S03-051-00100	FRONT FORK ASS'Y		1SET	BEFORE P1144879 USE
21	S03-051-00101	FRONT FORK ASS'Y		1SET	AFTER P1144880 USE
22	C21-051-00100	CARPET , RUBBER BE 01		1	
23	S05-051-00200	FRONT TIRE ASS'Y 3.0-8C248 BLACK		1SET	
24	C07-051-00700	SEAT POST		1	
25	S18-051-00100	WIRE HARNESS ASS'Y		1SET	BEFORE P118275 USE
25	S18-051-00200	WIRE HARNESS ASS'Y		1SET	AFTER P118276 USE
26	C27-001-10100	MIRROR COMP		1SET	
27	C26-005-00800	COVER CONTROLER		1	BEFORE P118275 USE
27	C26-051-00501	COVER CONTROLER , RHINO 2		1	AFTER P118276 USE
28	S03-051-00200	CONNECTING ROD,FRONT FORK ASS'Y		1SET	
29	S02-036-00200	L TYPE STEERING AXLE ASS'Y		1SET	
30	S07-044-00100	ARMREST , ADJUSTABLE , L , W/ COVER		1	
32	S07-044-00700	ARMREST , ADJUSTABLE , R , W/ COVER		1	
34	S35-051-00100	BRAKE ASS'Y		1SET	
35	S07-051-00100	SEAT ASS'Y , TA-380C3		1SET	
36	C17-005-00200	BATTERY 50AH		1	
37	C11-051-00100	CONSTANT SPEED UNIT CONTROL BOX		1	

Carpo 4 Limited Edition (ML4SB) Parts List (2012.08.17)

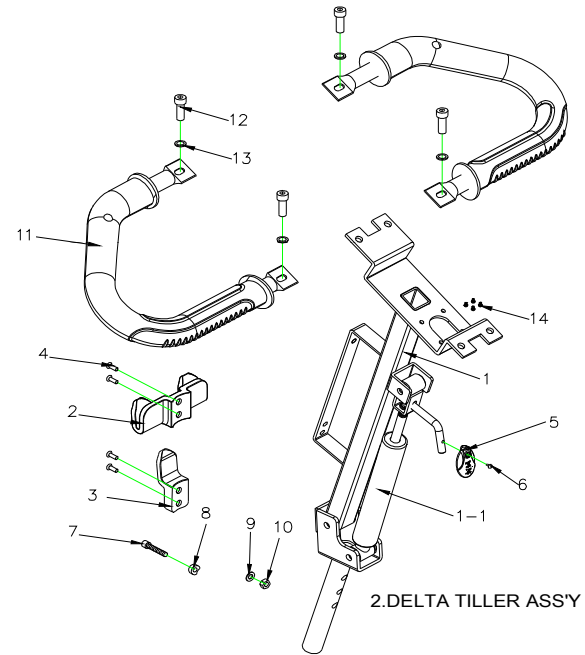


1.SPEED DIAL ASS'Y

### Carpo 4 Limited Edition (ML4SB) Parts List (2012.08.17)

Fig&Index NO.	Parts No.	Parts Name	QTY.	Remark
		English		
<b>1</b>	<b>S12-051-00100</b>	<b>SPEED DIAL ASS'Y</b>	<b>1SET</b>	
1-1	C12-001-00402	FIX PLATE , SPEED LEVER	1	
1-2	C12-001-01401	VR ONLY	1	
1-3	C12-001-00300	TORSION SPRING , SPEED LEVER	1	
1-4	C12-001-00101	NUT	1	
1-5	C12-009-00700	HOLDER , SPEED LEVER	1	
1-6	9358040040753	LOCKING SCREW , 4x4	2	
1-7	C12-051-00101	SPEED LEVER	1	
1-8	9004040120704	BOLT_M4x12	2	
1-9	C12-001-01500	HOLDER , SPEED LEVER COMP.	1	
1-10	9004030040504	BOLT_M3x4L	2	

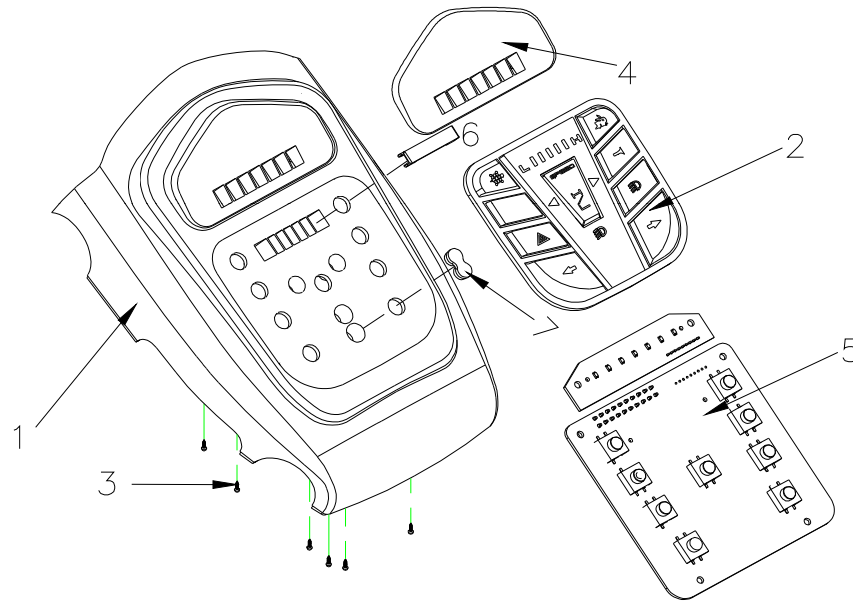
**Carpo 4 Limited Edition (ML4SB) Parts List (2012.08.17)**



### Carpo 4 Limited Edition (ML4SB) Parts List (2012.08.17)

Fig&Index NO.	Parts No.	Parts Name	QTY.	Remark
		English		
<b>2</b>	<b>S02-051-00100</b>	<b>DELTA TILLER ASS'Y</b>	<b>1SET</b>	
2-1	C02-051-00200	DELTA TILLER	1	
2-1-1	C02-029-00200	OIL PRESSURE STICK ,45KG	1	
2-2	C26-009-01601	BASKET HOLDER,PAINTED,UPPER	1	
2-3	C26-009-01700	BASKET HOLDER,PAINTED,LOWER	1	
2-4	9005060401003	BOLT,M6x35L	4	
2-5	C26-036-00100	SHAFT	1	
2-6	9005040080702	CR ROUND HD SCREW ,M4x8L	1	
2-7	9035080401251	HEX FLANGE BOLT,M8x40L	1	
2-8	9367170800300	WASHER	1	
2-9	9250080200193	WASHER,M8	1	
2-10	9201080801252	LUCK NUT,M8x1,25	1	
2-11	C02-047-00101	DELTA BAR SET W/I PU FOAMED	2	
2-12	9022060151001	BOLT M6x15L	4	
2-13	9214070100193	WASHER OD19xID7x1mm	4	
2-14	9004030080504	BOLT,M3x8L	4	

**Carpo 4 Limited Edition (ML4SB) Parts List (2012.08.17)**

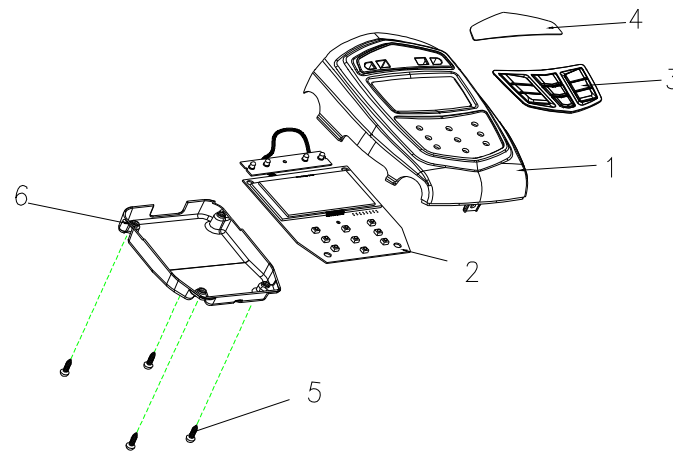


**3.COVER , HANDLE BAR ASS'Y**



Carpo 4 Limited Edition (ML4SB) Parts List (2012.08.17)				
Fig&Index NO.	Parts No.	Parts Name	QTY.	Remark
		English		
<b>3</b>	<b>S08-051-00161</b>	<b>COVER , HANDLE BAR ASS'Y , UPPER , BE 01</b>	<b>1SET</b>	
3-1	C08-051-00965	COVER , HANDLE BAR , UPPER	1	
3-2	C10-051-00601	CONTROL PANEL BUTTON	1	
3-3	9011030080502	BOLT M3x8L	6	
3-4	C10-051-00401	BATTERY INDICATOR , BE 01	1	
3-5	C10-051-00506	CONTROL PANEL PC BOARD	1	
3-6	C26-051-00200	SPEED INDICATOR PAD	1	
3-7	C26-051-00301	FRONT/REAR LIGHT DISPLAY PAD	1	
<b>3</b>	<b>S08-051-00961</b>	<b>COVER , HANDLE BAR ASS'Y , UPPER</b>	<b>1SET</b>	
3-1	C08-051-00965	COVER , HANDLE BAR , UPPER	1	
3-2	C10-051-00800	CONTROL PANEL BUTTON	1	
3-3	9011030080502	BOLT M3x8L	6	
3-4	C10-051-00401	BATTERY INDICATOR , BE 01	1	
3-5	C10-051-00506	CONTROL PANEL PC BOARD	1	
3-6	C26-051-00200	SPEED INDICATOR PAD	1	
3-7	C26-051-00301	FRONT/REAR LIGHT DISPLAY PAD	1	

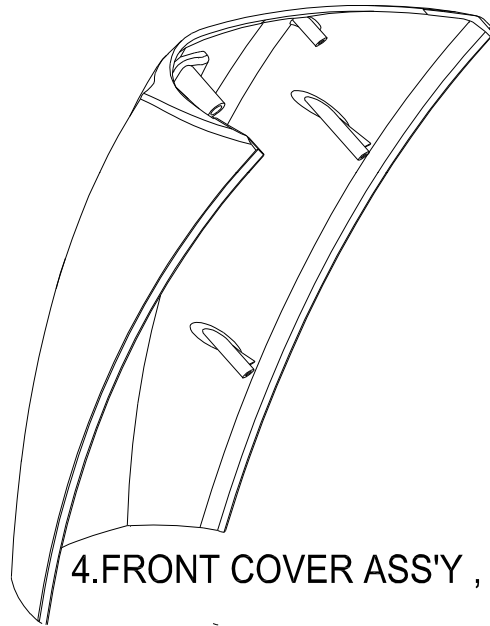
**Carpo 4 Limited Edition (ML4SB) Parts List (2012.08.17)**



**3.COVER , HANDLE BAR ASS'Y**

<b>Carpo 4 Limited Edition (ML4SB) Parts List (2012.08.17)</b>					
Fig&Index NO.	Parts No.	Parts Name		QTY.	Remark
		English			
<b>3</b>	<b>S08-051-01000</b>	<b>COVER , HANDLE BAR ASS'Y , UPPER , BE 01</b>		<b>1SET</b>	
3-1	C08-051-01000	COVER , HANDLE BAR , UPPER		1	
3-2	C10-051-01100	CONTROL PANEL PC BOARD		1	
3-3	C10-051-01000	CONTROL PANEL BUTTON		1	
3-4	C10-051-00900	PC BOARD COVER		1	
3-5	9011030080502	BOLT M3x8L		1	
3-6	C08-051-01100	WATER DEEP COVER		1	

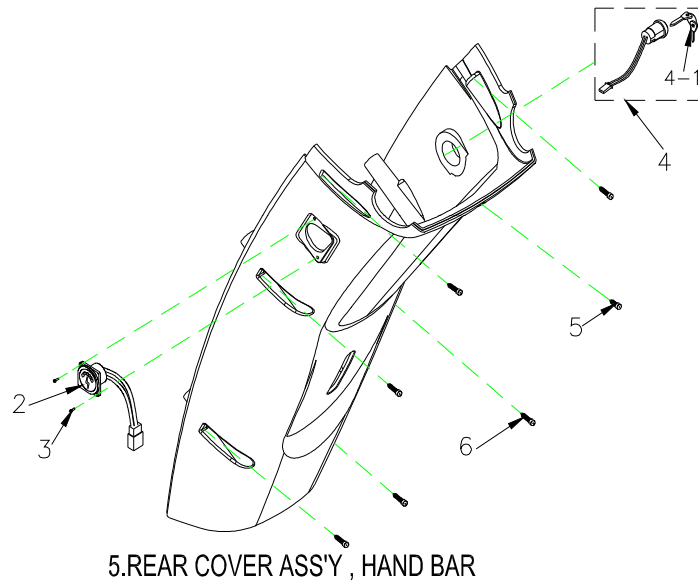
**Carpo 4 Limited Edition (ML4SB) Parts List (2012.08.17)**



4.FRONT COVER ASS'Y , HAND BAR

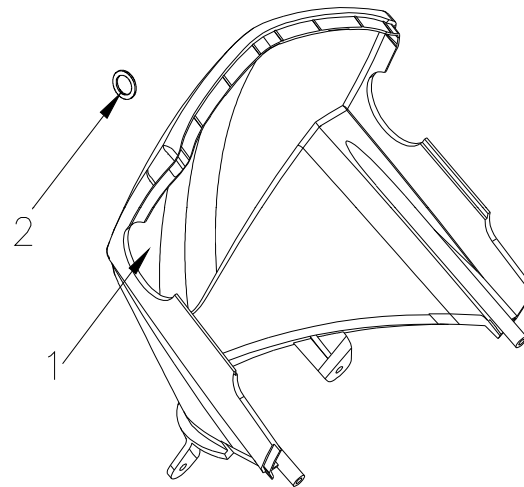
<b>Carpo 4 Limited Edition (ML4SB) Parts List (2012.08.17)</b>				
Fig&Index NO.	Parts No.	Parts Name	QTY.	Remark
		English		
4	C08-051-00571	FRONT COVER , HAND BAR, SILVER 71	1	
4	C08-051-00543	FRONT COVER , HAND BAR, GREEN 43	1	
4	C08-051-00591	FRONT COVER , HAND BAR, WHITE 91	1	
4	C08-051-00566	FRONT COVER , HAND BAR, BLACK 66	1	

**Carpo 4 Limited Edition (ML4SB) Parts List (2012.08.17)**



Carpo 4 Limited Edition (ML4SB) Parts List (2012.08.17)				
Fig&Index NO.	Parts No.	Parts Name	QTY.	Remark
		English		
<b>5</b>	<b>S08-051-00671</b>	<b>REAR COVER ASS'Y, HAND BAR , SILVER 71</b>	<b>1SET</b>	
5-1	C08-051-00671	REAR COVER , HAND BAR , SILVER 71	1	
5-2	C12-051-00200	CHARGER SOCKET ASS'Y	1	
5-3	9014250080002	CR PAN HD SCREW , M3x15L	2	
5-4	C18-001-01501	IGNITION SWIITCH ASS'Y	1	
5-4-1	C37-001-02300	KEY	1	
5-5	9029040120002	BOLT, M4x12L	1	
5-6	9011040200003	BOLT, M4x20L	6	
<b>5</b>	<b>S08-051-00643</b>	<b>REAR COVER ASS'Y, HAND BAR , GREEN 43</b>	<b>1SET</b>	
5-1	C08-051-00643	REAR COVER , HAND BAR , GREEN 43	1	
5-2	C12-051-00200	CHARGER SOCKET ASS'Y	1	
5-3	9014250080002	CR PAN HD SCREW , M3x15L	2	
5-4	C18-001-01501	IGNITION SWIITCH ASS'Y	1	
5-4-1	C37-001-02300	KEY	1	
5-5	9029040120002	BOLT, M4x12L	1	
5-6	9011040200003	BOLT, M4x20L	6	
<b>5</b>	<b>S08-051-00691</b>	<b>REAR COVER ASS'Y, HAND BAR , WHITE 91</b>	<b>1SET</b>	
5-1	C08-051-00691	REAR COVER , HAND BAR , WHITE 91	1	
5-2	C12-051-00200	CHARGER SOCKET ASS'Y	1	
5-3	9014250080002	CR PAN HD SCREW , M3x15L	2	
5-4	C18-001-01501	IGNITION SWIITCH ASS'Y	1	
5-4-1	C37-001-02300	KEY	1	
5-5	9029040120002	BOLT M4x12L	1	
5-6	9011040200003	BOLT, M4x20L	6	
<b>5</b>	<b>S08-051-00666</b>	<b>REAR COVER ASS'Y, HAND BAR , BLACK 66</b>	<b>1SET</b>	
5-1	C08-051-00666	REAR COVER , HAND BAR , BLACK 66	1	
5-2	C12-051-00200	CHARGER SOCKET ASS'Y	1	
5-3	9014250080002	CR PAN HD SCREW , M3x15L	2	
5-4	C18-001-01501	IGNITION SWIITCH ASS'Y	1	
5-4-1	C37-001-02300	KEY	1	
5-5	9029040120002	BOLT M4x12L	1	
5-6	9011040200003	BOLT, M4x20L	6	
<b>5</b>	<b>S08-051-00682</b>	<b>REAR COVER ASS'Y, HAND BAR , BROWN 82</b>	<b>1SET</b>	
5-1	C08-051-00682	REAR COVER , HAND BAR , BLACK 66	1	
5-2	C12-051-00200	CHARGER SOCKET ASS'Y	1	
5-3	9014250080002	CR PAN HD SCREW , M3x15L	2	
5-4	C18-001-01501	IGNITION SWIITCH ASS'Y	1	
5-4-1	C37-001-02300	KEY	1	
5-5	9029040120002	BOLT M4x12L	1	
5-6	9011040200003	BOLT, M4x20L	6	

**Carpo 4 Limited Edition (ML4SB) Parts List (2012.08.17)**

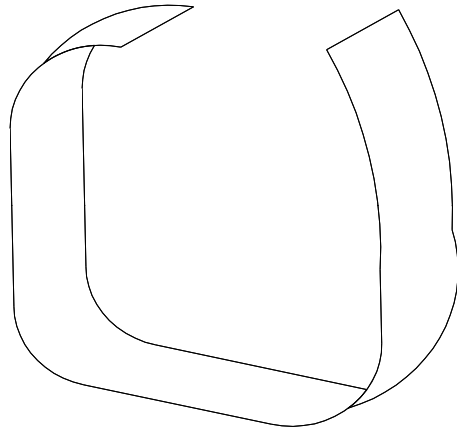


**6.COVER , HANDLE BAR , LOWER  
ASS'Y**



<b>Carpo 4 Limited Edition (ML4SB) Parts List (2012.08.17)</b>				
Fig&Index NO.	Parts No.	Parts Name	QTY.	Remark
		English		
<b>6</b>	<b>S08-051-00271</b>	<b>COVER ASS'Y , HANDLE BAR , LOWER , SILVER 71</b>	<b>1SET</b>	
6-1	C08-051-00871	COVER , HAND BAR , LOWER , SILVER 71	1	
6-2	C25-029-00201	PLUG	1	
<b>6</b>	<b>S08-051-00243</b>	<b>COVER ASS'Y , HANDLE BAR , LOWER , GREEN 43</b>	<b>1SET</b>	
6-1	C08-051-00843	COVER , HAND BAR , LOWER ,GREEN 43	1	
6-2	C25-029-00201	PLUG	1	
<b>6</b>	<b>S08-051-00291</b>	<b>COVER ASS'Y , HANDLE BAR , LOWER , WHITE 91</b>	<b>1SET</b>	
6-1	C08-051-00891	COVER , HAND BAR , LOWER , WHITE 91	1	
6-2	C25-029-00201	PLUG	1	
<b>6</b>	<b>S08-051-00266</b>	<b>COVER ASS'Y , HANDLE BAR , LOWER , BLACK 66</b>	<b>1SET</b>	
6-1	C08-051-00866	COVER , HAND BAR , LOWER , BLACK 66	1	
6-2	C25-029-00201	PLUG	1	
<b>6</b>	<b>S08-051-00282</b>	<b>COVER ASS'Y , HANDLE BAR , LOWER , BROWN 82</b>	<b>1SET</b>	
6-1	C08-051-00882	COVER , HAND BAR , LOWER , BROWN 82	1	
6-2	C25-029-00201	PLUG	1	

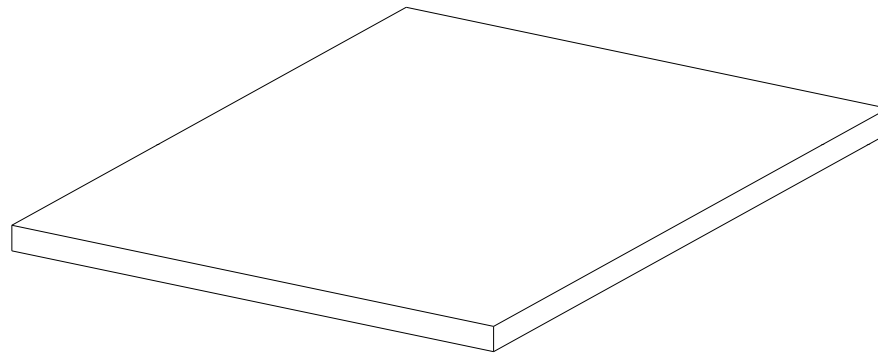
**Carpo 4 Limited Edition (ML4SB) Parts List (2012.08.17)**



**7.VELCRO  
STRIP,BATTERY**

<b>Carpo 4 Limited Edition (ML4SB) Parts List (2012.08.17)</b>					
Fig&Index NO.	Parts No.	Parts Name		QTY.	Remark
		English			
7	C31-029-00101	VELCRO STRIP , BATTERY		1	

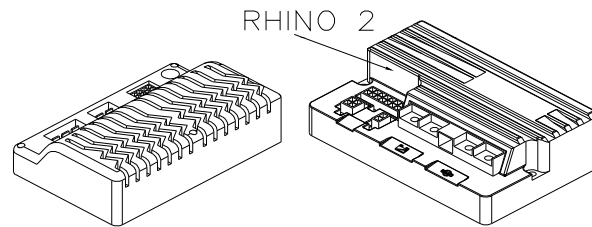
**Carpo 4 Limited Edition (ML4SB) Parts List (2012.08.17)**



**8.RUBBER PAD,BATTERY**

<b>Carpo 4 Limited Edition (ML4SB) Parts List (2012.08.17)</b>					
Fig&Index NO.	Parts No.	Parts Name		QTY.	Remark
		English			
8	C25-005-00100	RUBBER PAD , BATTERY		1	

**Carpo 4 Limited Edition (ML4SB) Parts List (2012.08.17)**

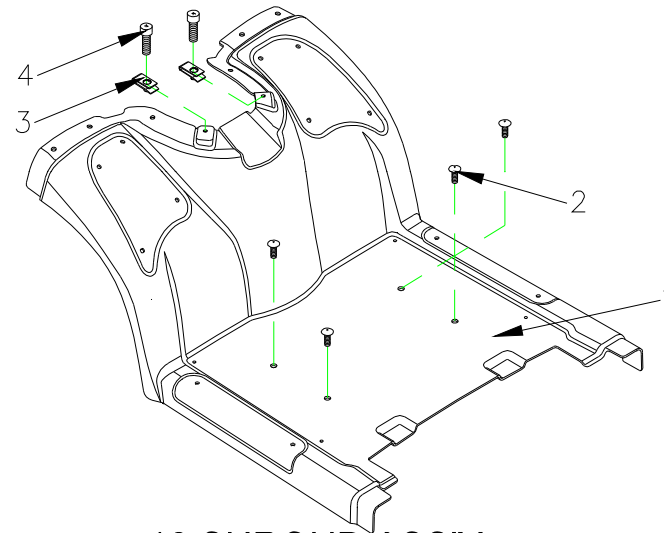


# 9.CONTROLLER

**Carpo 4 Limited Edition (ML4SB) Parts List (2012.08.17)**

Fig&Index NO.	Parts No.	Parts Name	QTY.	Remark
		English		
9	C10-029-00300	CONTROLLER , DYNAMIC 160A	1	BEFORE P118275 USE
9	C10-029-00400	CONTROLLER , DYNAMIC 160A , FOR RHINO 2	1	AFTER P118276 USE

**Carpo 4 Limited Edition (ML4SB) Parts List (2012.08.17)**

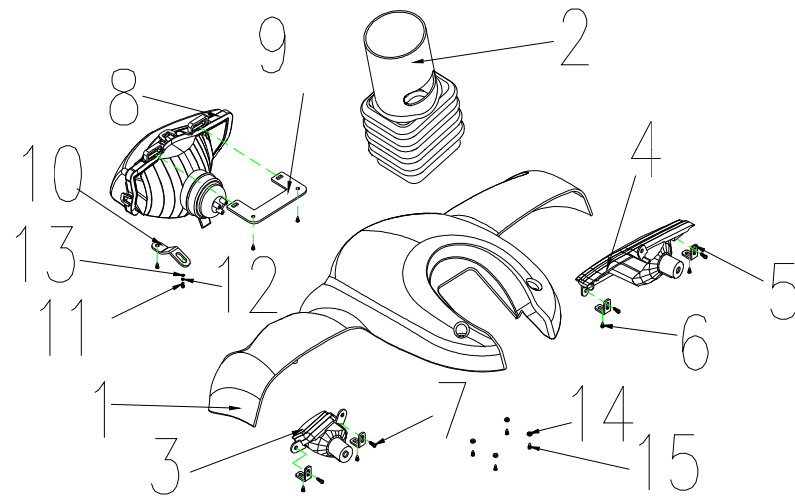


**10.SHROUD ASS'Y**



<b>Carp0 4 Limited Edition (ML4SB) Parts List (2012.08.17)</b>				
Fig&Index NO.	Parts No.	Parts Name	QTY.	Remark
		English		
<b>10</b>	<b>S08-051-00571</b>	<b>MIDDLE SHROUD ASS'Y , SILVER 71</b>	<b>1SET</b>	
10-1	C08-051-00271	MIDDLE SHROUD , SILVER 71	1	
10-2	9005060201002	BOLT M6x20L	4	
10-3	9237060000001	U-TYPE SPRING NUT	2	
10-4	9004060201008	BOLT M6x20L(ED)	2	
<b>10</b>	<b>S08-051-00543</b>	<b>MIDDLE SHROUD ASS'Y , GREEN 43</b>	<b>1SET</b>	
10-1	C08-051-00243	MIDDLE SHROUD , GREEN 43	1	
10-2	9005060201002	BOLT M6x20L	4	
10-3	9237060000001	U-TYPE SPRING NUT	2	
10-4	9004060201008	BOLT M6x20L(ED)	2	
<b>10</b>	<b>S08-051-00591</b>	<b>MIDDLE SHROUD ASS'Y , WHITE 91</b>	<b>1SET</b>	
10-1	C08-051-00291	MIDDLE SHROUD , WHITE 91	1	
10-2	9005060201002	BOLT M6x20L	4	
10-3	9237060000001	U-TYPE SPRING NUT	2	
10-4	9004060201008	BOLT M6x20L(ED)	2	
<b>10</b>	<b>S08-051-00566</b>	<b>MIDDLE SHROUD ASS'Y , BLACK 66</b>	<b>1SET</b>	
10-1	C08-051-00266	MIDDLE SHROUD , BLACK 66	1	
10-2	9005060201002	BOLT M6x20L	4	
10-3	9237060000001	U-TYPE SPRING NUT	2	
10-4	9004060201008	BOLT M6x20L(ED)	2	
<b>10</b>	<b>S08-051-00582</b>	<b>MIDDLE SHROUD ASS'Y , BROWN 82</b>	<b>1SET</b>	
10-1	C08-051-00282	MIDDLE SHROUD , BROWN 82	1	
10-2	9005060201002	BOLT M6x20L	4	
10-3	9237060000001	U-TYPE SPRING NUT	2	
10-4	9004060201008	BOLT M6x20L(ED)	2	

**Carpo 4 Limited Edition (ML4SB) Parts List (2012.08.17)**

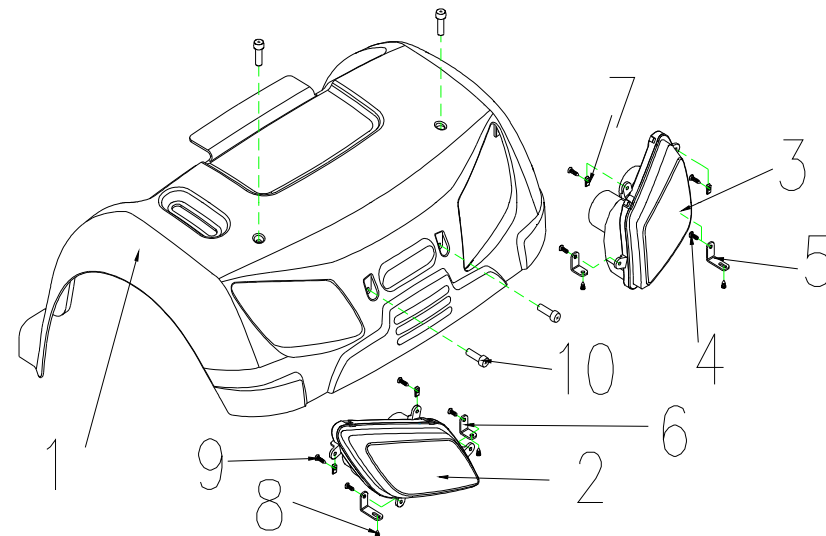


**11.FRONT SHROUD ASS'Y**

### Carpo 4 Limited Edition (ML4SB) Parts List (2012.08.17)

Fig&Index NO.	Parts No.	Parts Name	QTY.	Remark
		English		
<b>11</b>	<b>S08-051-00771</b>	<b>FRONT SHROUD ASS'Y, SILVER 71</b>	<b>1SET</b>	
11-1	C08-051-00171	FRONT SHROUD,SILVER 71	1	
11-2	C25-022-00400	RUBBER COVER , FRONT SHROUD	1	
11-3	C15-052-00200	FRONT SIGNAL LAMP , L	1	
11-4	C15-052-00100	FRONT SIGNAL LAMP , R	1	
11-5	C01-051-01500	FRONT SIGNAL LAMP BRACKET	4	
11-6	9029040120002	BOLT M4x12L	7	
11-7	9004040100704	BOLT M4x10L	4	
11-8	C13-052-00100	HEADLIGHT	1	
11-9	C01-051-01300	HEADLIGHT BRACKET	1	
11-10	C01-051-01401	HEADLIGHT ADJUSTING PLATE	1	
11-11	9005040120702	BOLT M4x12L	1	
11-12	9211050100803	SPRING WASHER , M5	1	
11-13	9214060100133	WASHER , M6	1	
11-14	C07-044-01701	WASHER , 8mm	4	
11-15	9005040100703	BOLT M4x10L(ED)	4	
<b>11</b>	<b>S08-051-00743</b>	<b>FRONT SHROUD ASS'Y, GREEN 43</b>	<b>1SET</b>	
11-1	C08-051-00143	FRONT SHROUD, GREEN 43	1	
11-2	C25-022-00400	RUBBER COVER , FRONT SHROUD	1	
11-3	C15-052-00200	FRONT SIGNAL LAMP , L	1	
11-4	C15-052-00100	FRONT SIGNAL LAMP , R	1	
11-5	C01-051-01500	FRONT SIGNAL LAMP BRACKET	4	
11-6	9029040120002	BOLT M4x12L	7	
11-7	9004040100704	BOLT M4x10L	4	
11-8	C13-052-00100	HEADLIGHT	1	
11-9	C01-051-01300	HEADLIGHT BRACKET	1	
11-10	C01-051-01401	HEADLIGHT ADJUSTING PLATE	1	
11-11	9005040120702	BOLT M4x12L	1	
11-12	9211050100803	SPRING WASHER , M5	1	
11-13	9214060100133	WASHER , M6	1	
11-14	C07-044-01701	WASHER , 8mm	4	
11-15	9005040100703	BOLT M4x10L(ED)	4	
<b>11</b>	<b>S08-051-00782</b>	<b>FRONT SHROUD ASS'Y, BROWN 82</b>	<b>1SET</b>	
11-1	C08-051-00182	FRONT SHROUD, BROWN 82	1	
11-2	C25-022-00400	RUBBER COVER , FRONT SHROUD	1	
11-3	C15-052-00200	FRONT SIGNAL LAMP , L	1	
11-4	C15-052-00100	FRONT SIGNAL LAMP , R	1	
11-5	C01-051-01500	FRONT SIGNAL LAMP BRACKET	4	
11-6	9029040120002	BOLT M4x12L	7	
11-7	9004040100704	BOLT M4x10L	4	
11-8	C13-052-00100	HEADLIGHT	1	
11-9	C01-051-01300	HEADLIGHT BRACKET	1	
11-10	C01-051-01401	HEADLIGHT ADJUSTING PLATE	1	
11-11	9005040120702	BOLT M4x12L	1	
11-12	9211050100803	SPRING WASHER , M5	1	
11-13	9214060100133	WASHER , M6	1	
11-14	C07-044-01701	WASHER , 8mm	4	
11-15	9005040100703	BOLT M4x10L(ED)	4	
<b>11</b>	<b>S08-051-00791</b>	<b>FRONT SHROUD ASS'Y, WHITE 91</b>	<b>1SET</b>	
11-1	C08-051-00191	FRONT SHROUD, WHITE 91	1	
11-2	C25-022-00400	RUBBER COVER , FRONT SHROUD	1	
11-3	C15-052-00200	FRONT SIGNAL LAMP , L	1	
11-4	C15-052-00100	FRONT SIGNAL LAMP , R	1	
11-5	C01-051-01500	FRONT SIGNAL LAMP BRACKET	4	
11-6	9029040120002	BOLT M4x12L	7	
11-7	9004040100704	BOLT M4x10L	4	
11-8	C13-052-00100	HEADLIGHT	1	
11-9	C01-051-01300	HEADLIGHT BRACKET	1	
11-10	C01-051-01401	HEADLIGHT ADJUSTING PLATE	1	
11-11	9005040120702	BOLT M4x12L	1	
11-12	9211050100803	SPRING WASHER , M5	1	
11-13	9214060100133	WASHER , M6	1	
11-14	C07-044-01701	WASHER , 8mm	4	
11-15	9005040100703	BOLT M4x10L(ED)	4	
<b>11</b>	<b>S08-051-00766</b>	<b>FRONT SHROUD ASS'Y, BLACK 66</b>	<b>1SET</b>	
11-1	C08-051-00166	FRONT SHROUD, BLACK 66	1	
11-2	C25-022-00400	RUBBER COVER , FRONT SHROUD	1	
11-3	C15-052-00200	FRONT SIGNAL LAMP , L	1	
11-4	C15-052-00100	FRONT SIGNAL LAMP , R	1	
11-5	C01-051-01500	FRONT SIGNAL LAMP BRACKET	4	
11-6	9029040120002	BOLT M4x12L	7	
11-7	9004040100704	BOLT M4x10L	4	
11-8	C13-052-00100	HEADLIGHT	1	
11-9	C01-051-01300	HEADLIGHT BRACKET	1	
11-10	C01-051-01401	HEADLIGHT ADJUSTING PLATE	1	
11-11	9005040120702	BOLT M4x12L	1	
11-12	9211050100803	SPRING WASHER , M5	1	
11-13	9214060100133	WASHER , M6	1	
11-14	C07-044-01701	WASHER , 8mm	4	
11-15	9005040100703	BOLT M4x10L(ED)	4	

**Carpo 4 Limited Edition (ML4SB) Parts List (2012.08.17)**

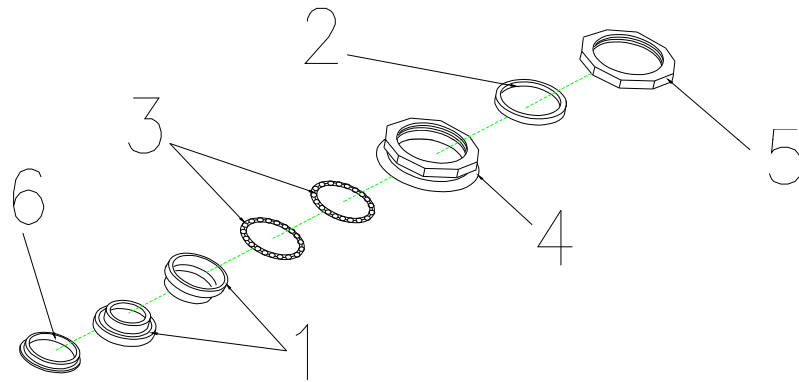


**12.REAR SHROUD ASS'Y**

## Carpo 4 Limited Edition (ML4SB) Parts List (2012.08.17)

Fig&Index NO.	Parts No.	Parts Name	QTY.	Remark
		English		
<b>12</b>	<b>S08-051-00371</b>	<b>REAR SHROUD ASS'Y , SILVER 71, W/O LABEL</b>	<b>1SET</b>	
12-1	C08-051-00371	REAR SHROUD , SILVER 71	1	
12-2	C14-052-00200	REAR SIGNAL LAMP , L	1	
12-3	C14-052-00100	REAR SIGNAL LAMP , R	1	
12-4	9005040100703	BOLT M4x10L	4	
12-5	C01-051-01600	REAR SIGNAL LAMP BRACKET - LONG	4	
12-6	C01-051-01700	REAR SIGNAL LAMP BRACKET - SHORT	4	
12-7	9237040000003	U-TYPE SPRING NUT	4	
12-8	9029040120002	BOLT M4x12L	6	
12-9	9029040200002	BOLT M4x20L	2	
12-10	9004060201008	BOLT M6x20L	4	
<b>12</b>	<b>S08-051-00343</b>	<b>REAR SHROUD ASS'Y , GREEN 43, W/O LABEL</b>	<b>1SET</b>	
12-1	C08-051-00343	REAR SHROUD , GREEN 43	1	
12-2	C14-052-00200	REAR SIGNAL LAMP , L	1	
12-3	C14-052-00100	REAR SIGNAL LAMP , R	1	
12-4	9005040100703	BOLT M4x10L	4	
12-5	C01-051-01600	REAR SIGNAL LAMP BRACKET - LONG	4	
12-6	C01-051-01700	REAR SIGNAL LAMP BRACKET - SHORT	4	
12-7	9237040000003	U-TYPE SPRING NUT	4	
12-8	9029040120002	BOLT M4x12L	6	
12-9	9029040200002	BOLT M4x20L	2	
12-10	9004060201008	BOLT M6x20L	4	
<b>12</b>	<b>S08-051-00382</b>	<b>REAR SHROUD ASS'Y , BROWN 82, W/O LABEL</b>	<b>1SET</b>	
12-1	C08-051-00382	REAR SHROUD , BROWN 82	1	
12-2	C14-052-00200	REAR SIGNAL LAMP , L	1	
12-3	C14-052-00100	REAR SIGNAL LAMP , R	1	
12-4	9005040100703	BOLT M4x10L	4	
12-5	C01-051-01600	REAR SIGNAL LAMP BRACKET - LONG	4	
12-6	C01-051-01700	REAR SIGNAL LAMP BRACKET - SHORT	4	
12-7	9237040000003	U-TYPE SPRING NUT	4	
12-8	9029040120002	BOLT M4x12L	6	
12-9	9029040200002	BOLT M4x20L	2	
12-10	9004060201008	BOLT M6x20L	4	
<b>12</b>	<b>S08-051-00391</b>	<b>REAR SHROUD ASS'Y , WHITE 91, W/O LABEL</b>	<b>1SET</b>	
12-1	C08-051-00391	REAR SHROUD , WHITE 91	1	
12-2	C14-052-00200	REAR SIGNAL LAMP , L	1	
12-3	C14-052-00100	REAR SIGNAL LAMP , R	1	
12-4	9005040100703	BOLT M4x10L	4	
12-5	C01-051-01600	REAR SIGNAL LAMP BRACKET - LONG	4	
12-6	C01-051-01700	REAR SIGNAL LAMP BRACKET - SHORT	4	
12-7	9237040000003	U-TYPE SPRING NUT	4	
12-8	9029040120002	BOLT M4x12L	6	
12-9	9029040200002	BOLT M4x20L	2	
12-10	9004060201008	BOLT M6x20L	4	
<b>12</b>	<b>S08-051-00366</b>	<b>REAR SHROUD ASS'Y , BLACK 66, W/O LABEL</b>	<b>1SET</b>	
12-1	C08-051-00366	REAR SHROUD , BLACK 66	1	
12-2	C14-052-00200	REAR SIGNAL LAMP , L	1	
12-3	C14-052-00100	REAR SIGNAL LAMP , R	1	
12-4	9005040100703	BOLT M4x10L	4	
12-5	C01-051-01600	REAR SIGNAL LAMP BRACKET - LONG	4	
12-6	C01-051-01700	REAR SIGNAL LAMP BRACKET - SHORT	4	
12-7	9237040000003	U-TYPE SPRING NUT	4	
12-8	9029040120002	BOLT M4x12L	6	
12-9	9029040200002	BOLT M4x20L	2	
12-10	9004060201008	BOLT M6x20L	4	

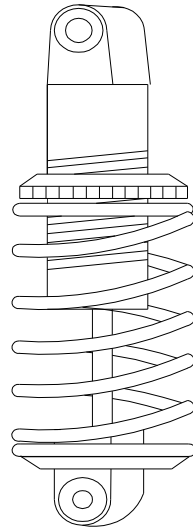
**Carpo 4 Limited Edition (ML4SB) Parts List (2012.08.17)**



**13.REGULAR BEARING BALL SET**

<b>Carpo 4 Limited Edition (ML4SB) Parts List (2012.08.17)</b>					
Fig&Index NO.	Parts No.	Parts Name		QTY.	Remark
		English			
<b>13</b>	<b>S02-001-00601</b>	<b>REGULAR BEARING BALL SET</b>		<b>1SET</b>	
13-1	C29-001-10101	CUP , UPPER		1	
13-2	9214290300353	COLLARLESS WASHER		1	
13-3	C29-001-10200	BEARING		2	
13-4	C29-001-10401	BEARING BUSH		1	
13-5	C29-001-10501	LOCKING NUT,BEARING		1	
13-6	C29-001-10301	BEARING CAGE		1	

**Carpo 4 Limited Edition (ML4SB) Parts List (2012.08.17)**

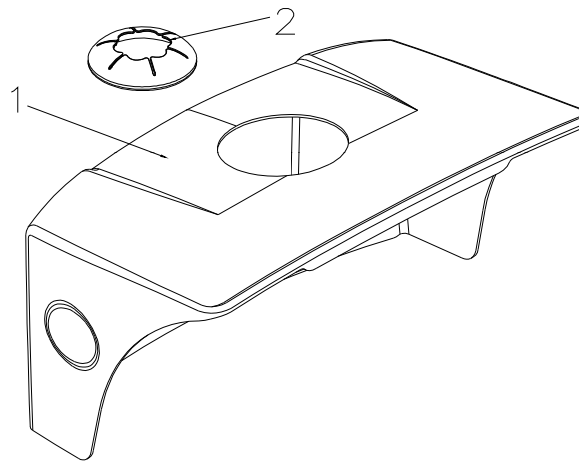


**14.ABSORBER,750LBS**



<b>Carpo 4 Limited Edition (ML4SB) Parts List (2012.08.17)</b>				
Fig&Index NO.	Parts No.	Parts Name	QTY.	Remark
		English		
14	C04-022-00501	ABSORBER , 750LBS	1	

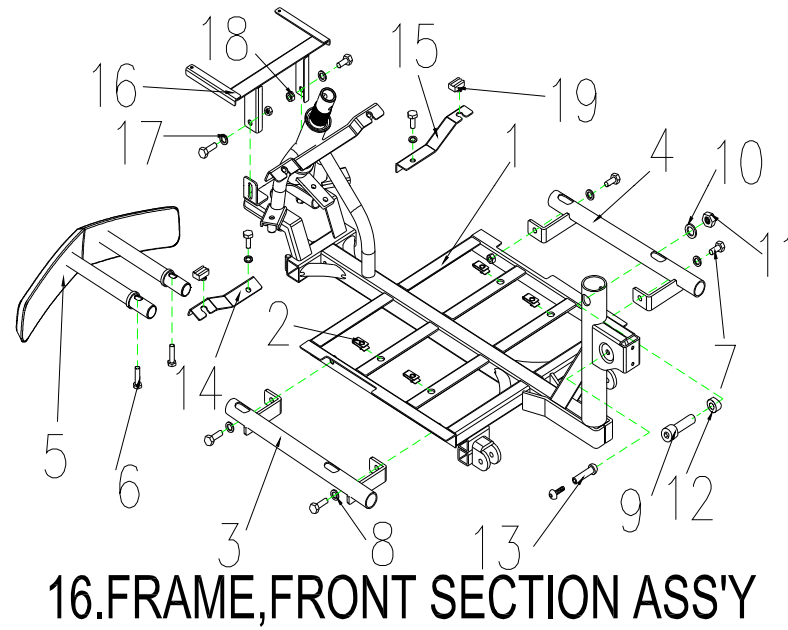
**Carpo 4 Limited Edition (ML4SB) Parts List (2012.08.17)**



**15.COVER ASS'Y , BATTERY**

Carpo 4 Limited Edition (ML4SB) Parts List (2012.08.17)					
Fig&Index NO.	Parts No.	Parts Name		QTY.	Remark
		English			
<b>15</b>	<b>S08-051-00461</b>	<b>COVER ASS'Y , BATTERY , BLACK 61 , W/O LABEL</b>		<b>1SET</b>	
15-1	C08-051-00461	COVER BATTERY , BLACK 61		1	
15-2	C25-039-00100	RUBBER COVER , REAR SHROUD		1	

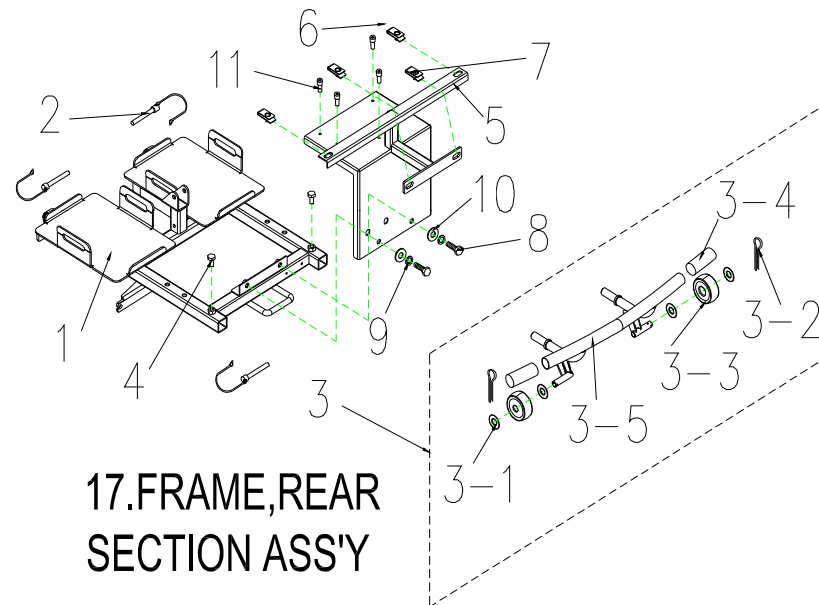
**Carpo 4 Limited Edition (ML4SB) Parts List (2012.08.17)**



### Carpo 4 Limited Edition (ML4SB) Parts List (2012.08.17)

Fig&Index NO.	Parts No.	Parts Name		QTY.	Remark
		English			
<b>16</b>	<b>S01-051-00200</b>	<b>FRAME,FRONT SECTION ASS'Y</b>		<b>1SET</b>	<b>BEFORE P1144879 USE</b>
16-1	C01-051-00301	FRAME,FRONT SECTION		1	
16-2	9237060000000	U-TYPE SPRING NUT		6	
16-3	C01-051-00801	HOLDER, FOOTREST , L		1	
16-4	C01-051-00901	HOLDER, FOOTREST , R		1	
16-5	C01-051-00200	FRONT BUMPER ASS'Y		1	
16-6	9002080301251	CR ROUND HD SCREW,M8x30L		2	
16-7	9002080201251	CR ROUND HD SCREW,M8x20L		8	
16-8	9211080200142	SPRING WASHER,5/16		8	
16-9	9035100551501	BOLT, M10X5L		1	
16-10	9250100200253	WASHER, M10		1	
16-11	9201101001502	LOCK NUT, M10XP1.5		1	
16-12	9367190800350	WASHER,φ10Xφ19X3.5L		1	
16-13	9027060301256	HEX BOLT, M8xP1.25x30L		1	
16-14	C01-051-01000	HOLDER, MIDDLE SHROUD , L		1	
16-15	C01-051-01100	HOLDER, MIDDLE SHROUD , R		1	
16-16	C01-051-00701	HOLDER, FRONT SHROUD		1	
16-17	9214080150232	WASHER W022W18,ST1.5mm		2	
16-18	9201080801252	LOCK NUT, M8XP1.25		2	
16-19	C25-001-00700	RUBBER DAMPER PAD		2	
<b>16</b>	<b>S01-051-00201</b>	<b>FRAME,FRONT SECTION ASS'Y</b>		<b>1SET</b>	<b>AFTER P1144880 USE</b>
16-1	C01-051-00303	FRAME,FRONT SECTION		1	
16-2	9237060000000	U-TYPE SPRING NUT		6	
16-3	C01-051-00801	HOLDER, FOOTREST , L		1	
16-4	C01-051-00901	HOLDER, FOOTREST , R		1	
16-5	C01-051-00200	FRONT BUMPER ASS'Y		1	
16-6	9002080301251	CR ROUND HD SCREW,M8x30L		2	
16-7	9002080201251	CR ROUND HD SCREW,M8x20L		8	
16-8	9211080200142	SPRING WASHER,5/16		8	
16-9	9035100551501	BOLT, M10X5L		1	
16-10	9250100200253	WASHER, M10		1	
16-11	9201101001502	LOCK NUT, M10XP1.5		1	
16-12	9367190800350	WASHER,φ10Xφ19X3.5L		1	
16-13	9027060301256	HEX BOLT, M8xP1.25x30L		1	
16-14	C01-051-01000	HOLDER, MIDDLE SHROUD , L		1	
16-15	C01-051-01100	HOLDER, MIDDLE SHROUD , R		1	
16-16	C01-051-00701	HOLDER, FRONT SHROUD		1	
16-17	9214080150232	WASHER W022W18,ST1.5mm		2	
16-18	9201080801252	LOCK NUT, M8XP1.25		2	
16-19	C25-001-00700	RUBBER DAMPER PAD		2	

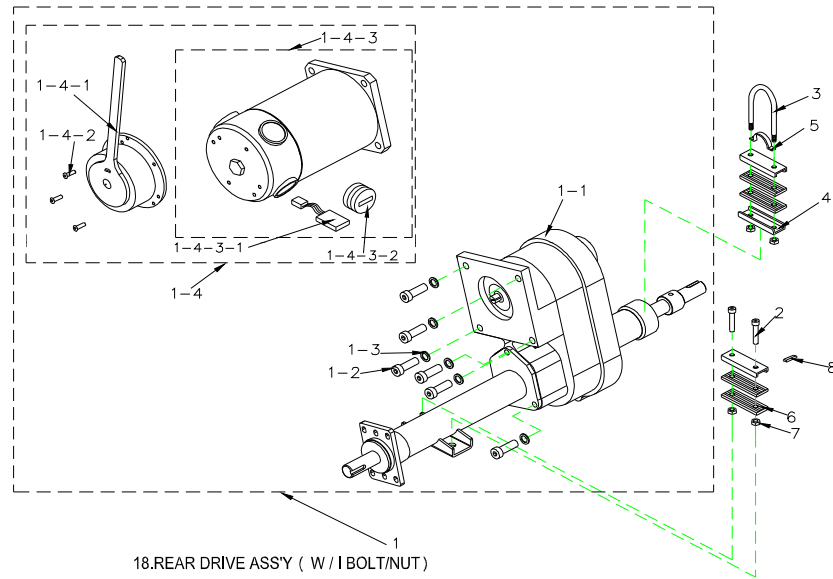
**Carpo 4 Limited Edition (ML4SB) Parts List (2012.08.17)**



### Carpo 4 Limited Edition (ML4SB) Parts List (2012.08.17)

Fig&Index NO.	Parts No.	Parts Name	QTY.	Remark
		English		
<b>17</b>	<b>S01-051-00100</b>	<b>FRAME , REAR SECTION ASS'Y</b>	<b>1SET</b>	
17-1	C01-051-00402	FRAME , REAR SECTION	1	
17-2	C01-005-00700	LOCK PIN , $\Phi 8 \times 41L$	3	
17-3	C01-051-00602	REAR BUMPER ASS'Y	1	
17-3-1	C26-005-00900	PLASTIC WASHER $\Psi 40 \times \Psi 17.5 \times 2T$	4	
17-3-2	9352060240000	R TYPE PIN	2	
17-3-3	C28-005-00101	ANT-TIP WHEELS	2	
17-3-4	C25-029-00100	BUMPER,GRIP	2	
17-3-5	C01-051-01801	REAR BUMPER	1	
17-4	9002080301251	HEX FLANGE BOLT,M8x30L	2	
17-5	C01-051-01201	REAR BRACKET , W/I CONTROLLER HOLDER	1	
17-6	9237060000001	U-TYPE SPRING NUT	2	
17-7	9237060000000	U-TYPE SPRING NUT	2	
17-8	9002080201251	HEX FLANGE BOLT,M8x20L	2	
17-9	9211080200142	SPRIG WASHER 5/16	2	
17-10	9214080150232	WASHER 5/16	2	
17-11	9004040300705	BOLT M4x30L	3	

**Carpo 4 Limited Edition (ML4SB) Parts List (2012.08.17)**





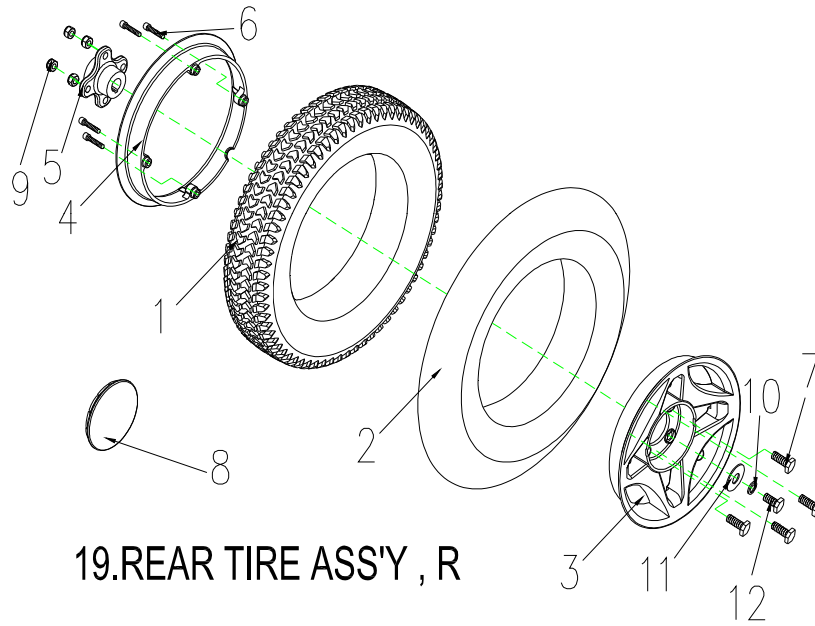
### Carpo 4 Limited Edition (ML4SB) Parts List (2012.08.17)

Fig&Index NO.	Parts No.	Parts Name		QTY.	Remark
		English			
<b>18</b>	<b>S09-051-00200</b>	<b>REAR DRIVE ASSY ( WITH BOLT / NUT ) , 750W5500RPM20 : 1</b>		<b>1SET</b>	
18-1	C09-051-01000	REAR DRIVE ASSY ( WITHOUT BOLT / NUT ) , 750W5500RPM20 : 1		1	
18-1-1	C09-051-00100	TRANSAXLE ONLY ( WITHOUT MOTOR )		1	
18-1-2	9021080201251	BOLT , M8x20L		4	
18-1-3	9211080200142	SPRING WASHER , 5/16		4	
18-1-4	C09-051-00801	MOTOR ( WITH BRAKE ) , 750W5500RPM		1	
18-1-4-1	C09-051-00500	ELECTRO-MAGNETIC BRAKE , 100kgf-cm		1	
18-1-4-2	9004040120704	BOLT , M4x12		3	
18-1-4-3	C09-051-00900	MOTOR ONLY , 750W5500RPM		1	
18-1-4-3-1	C09-022-02300	CARBON BRUSH , 7x17mm		4	
18-1-4-3-2	C09-022-02700	CARBON BRUSH CAP , 7x17mm		4	
18-2	9035080501251	BOLT , M8x50		2	
18-3	9024080950001	U-TYPE BOLT , M8x1.25x98Hx15mm		1	
18-4	C09-001-10500	U-TYPE PLATE , MOTOR		3	
18-5	C09-001-10400	ARCH TYPE PLATE , MOTOR		1	
18-6	C05-001-90200	RUBBER DAMPER PAD , MOTOR		4	
18-7	9201080801252	LOCK NUT , M8x1.25		4	
<b>18</b>	<b>S09-051-00300</b>	<b>REAR DRIVE ASSY ( WITH BOLT / NUT ) , 750W5500RPM22 : 1</b>		<b>1SET</b>	
18-1	C09-051-00601	REAR DRIVE ASSY ( WITHOUT BOLT / NUT ) , 750W5500RPM22 : 1		1	
18-1-1	C09-051-00900	TRANSAXLE ONLY ( WITHOUT MOTOR )		1	
18-1-2	9021080201251	BOLT , M8x20L		4	
18-1-3	9211080200142	SPRING WASHER , 5/16		4	
18-1-4	C09-051-00801	MOTOR ( WITH BRAKE ) , 750W5500RPM		1	
18-1-4-1	C09-051-00500	ELECTRO-MAGNETIC BRAKE , 100kgf-cm		1	
18-1-4-2	9004040120704	BOLT , M4x12		3	
18-1-4-3	C09-051-00900	MOTOR ONLY , 750W5500RPM		1	
18-1-4-3-1	C09-022-02300	CARBON BRUSH , 7x17mm		4	
18-1-4-3-2	C09-022-02700	CARBON BRUSH CAP , 7x17mm		4	
18-2	9035080501251	BOLT , M8x50		2	
18-3	9024080950001	U-TYPE BOLT , M8x1.25x98Hx15mm		1	
18-4	C09-001-10500	U-TYPE PLATE , MOTOR		3	
18-5	C09-001-10400	ARCH TYPE PLATE , MOTOR		1	
18-6	C05-001-90200	RUBBER DAMPER PAD , MOTOR		4	
18-7	9201080801252	LOCK NUT , M8x1.25		4	

**Carpo 4 Limited Edition (ML4SB) Parts List (2012.08.17)**

Fig&Index NO.	Parts No.	Parts Name	QTY.	Remark
		English		
<b>18</b>	<b>S09-051-00500</b>	<b>REAR DRIVE ASSY ( WITH BOLT / NUT ) , 750W5500RPM20 : 1 , RHINO 2 USE</b>	<b>1SET</b>	AFTER P118276 USE
18-1	C09-051-01702	REAR DRIVE ASSY ( WITHOUT BOLT / NUT ) , 750W5500RPM20 : 1	1	
18-1-1	C09-051-01102	TRANSAXLE ONLY ( WITHOUT MOTOR )	1	
18-1-1-1	9357005005035	PIN,5x5x20	2	
18-1-2	9021080201251	BOLT, M8x20L	4	
18-1-3	9211080200142	SPRING WASHER, 5/16	4	
18-1-4	C09-051-01801	MOTOR ( WITH BRAKE ) , 750W5500RPM	1	
18-1-4-1	C09-051-00502	ELECTRO-MAGNETIC BRAKE , 100kgf-cm	1	
18-1-4-2	9004040120704	BOLT, M4x12	3	
18-1-4-3	C09-051-01901	MOTOR ONLY , 750W5500RPM	1	
18-1-4-3-1	C09-022-02300	CARBON BRUSH , 7x17mm	4	
18-1-4-3-2	C09-022-02700	CARBON BRUSH CAP , 7x17mm	4	
18-2	9035080501251	BOLT, M8x50	2	
18-3	9024080950001	U-TYPE BOLT , M8x1.25x98Hx15mm	1	
18-4	C09-001-10500	U-TYPE PLATE , MOTOR	3	
18-5	C09-001-10400	ARCH TYPE PLATE , MOTOR	1	
18-6	C05-001-90200	RUBBER DAMPER PAD , MOTOR	4	
18-7	9201080801252	LOCK NUT, M8x1.25	4	

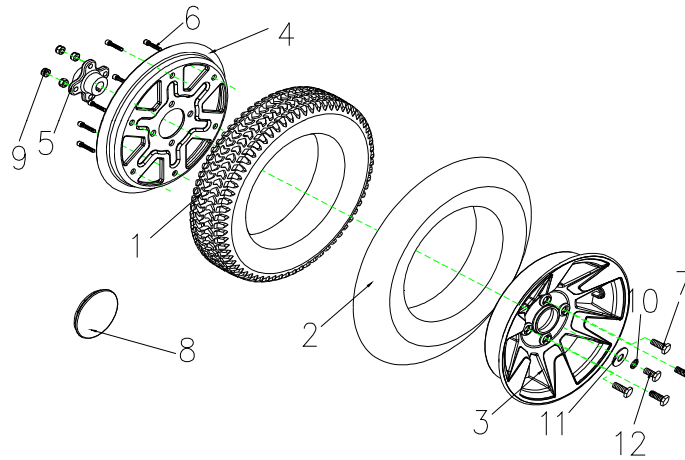
Carpo 4 Limited Edition (ML4SB) Parts List (2012.08.17)



### Carpo 4 Limited Edition (ML4SB) Parts List (2012.08.17)

Fig&Index NO.	Parts No.	Parts Name	QTY.	Remark
		English		
<b>19</b>	<b>S06-051-00100</b>	<b>REAR TIRE ASS'Y , BLACK , R</b>	<b>1SET</b>	
19-1	C06-051-00100	TIRE , BLACK , 3.0-8C248-16	1	
18-2	C06-051-00200	INNER TUBE , 3.0-8	1	
18-3	C05-047-00102	WHEEL RIM , ALUNINUM , 8"	1	
18-4	C05-047-00202	WHEEL RIM , ALUNINUM , 8"	1	
18-5	C06-001-10201	AXLE COLLAR,REAR WHEEL	1	
18-6	9022060351001	BOLT M6x30L	4	
18-7	9002080251251	HEXAGONAL BOLT M8x1.25x25L	4	
18-8	C05-047-00600	WHEEL COVER	1	
18-9	9201080801252	LOCK NUT , M8x1.25	4	
18-10	9211080200142	SPRING WASHER , 5/16	1	
18-11	9214080150232	WASHER , 5/16	1	
18-12	9002080201251	HEXAGONAL BOLT M8x1.25x20L	1	

Carpo 4 Limited Edition (ML4SB) Parts List (2012.08.17)

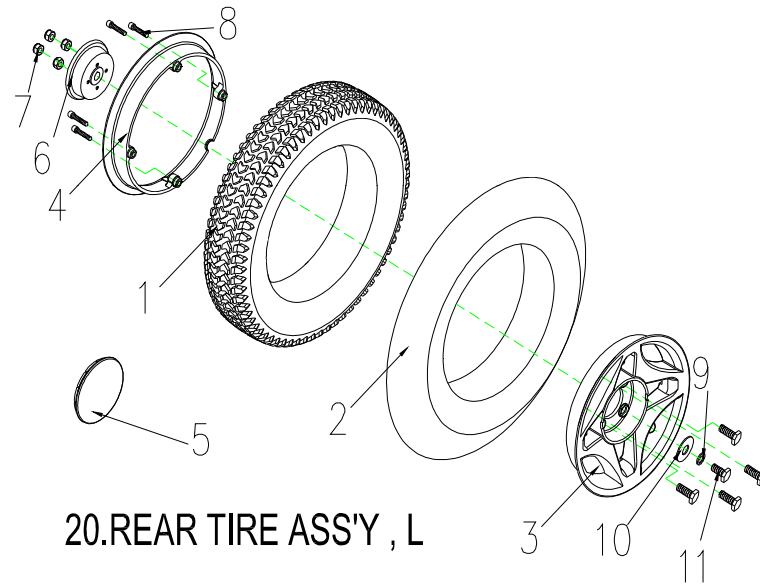


19.REAR TIRE ASS'Y , R

### Carpo 4 Limited Edition (ML4SB) Parts List (2012.08.17)

Fig&Index NO.	Parts No.	Parts Name	QTY.	Remark
		English		
<b>19</b>	<b>S06-051-00500</b>	<b>REAR TIRE ASS'Y , BLACK , R</b>	<b>1SET</b>	
19-1	C06-051-00100	TIRE , BLACK , 3.0-8C248-16	1	
19-2	C06-051-00200	INNER TUBE , 3.0-8	1	
19-3	C05-051-00301	WHEEL RIM , ALUNINUM , 8"	1	
19-4	C05-051-00401	WHEEL RIM , ALUNINUM , 8"	1	
19-5	C06-001-10201	AXLE COLLAR,REAR WHEEL	1	
19-6	9021080301253	BOLT M6x30L	6	
19-7	9002080301251	HEXAGONAL BOLT M8x1.25x25L	4	
19-8	C26-060-00800	WHEEL COVER	1	
19-9	9201080801252	LOCK NUT , M8x1.25	4	
19-10	9211080200142	SPRING WASHER , 5/16	1	
19-11	9214080150232	WASHER , 5/16	1	
19-12	9002080201251	HEXAGONAL BOLT M8x1.25x20L	1	

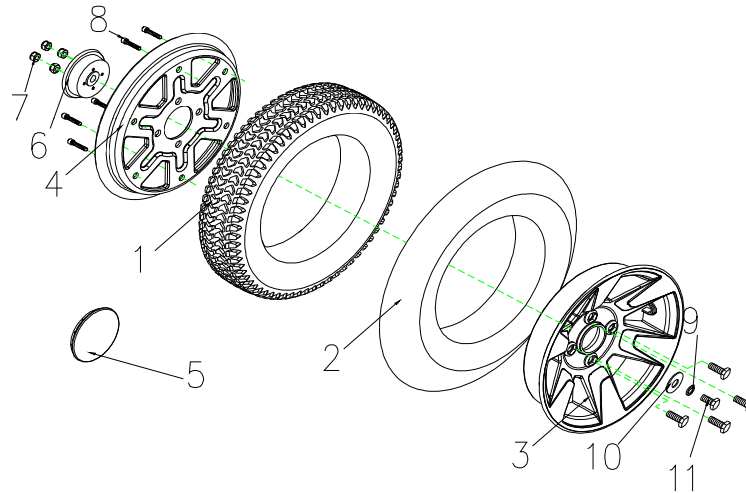
**Carpo 4 Limited Edition (ML4SB) Parts List (2012.08.17)**



Carpo 4 Limited Edition (ML4SB) Parts List (2012.08.17)				
Fig&Index NO.	Parts No.	Parts Name	QTY.	Remark
		English		
<b>20</b>	<b>S06-051-00200</b>	<b>REAR TIRE ASS'Y,BLACK, L</b>	<b>1SET</b>	
20-1	C06-051-00100	TIRE ,BLACK , 3.0-8C248-16	1	
20-2	C06-051-00200	INNER TUBE , 3.0-8	1	
20-3	C05-047-00102	WHEEL RIM ,ALUNINUM , 8"	1	
20-4	C05-047-00202	WHEEL RIM ,ALUNINUM , 8"	1	
20-5	C05-047-00600	COVER , WHEEL RIM	1	
20-6	C06-005-00202	WHEEL RIM , STEEL	1	
20-7	9201080801252	LOCK NUT , M8x1.25	4	
20-8	9022060351001	BOLT M6x30L	4	
20-9	9211080200142	SPRING WASHER , 5/16	1	
20-10	9214080150232	WASHER , 5/16	1	
20-11	9002080201251	BOLT , M8x20L	5	



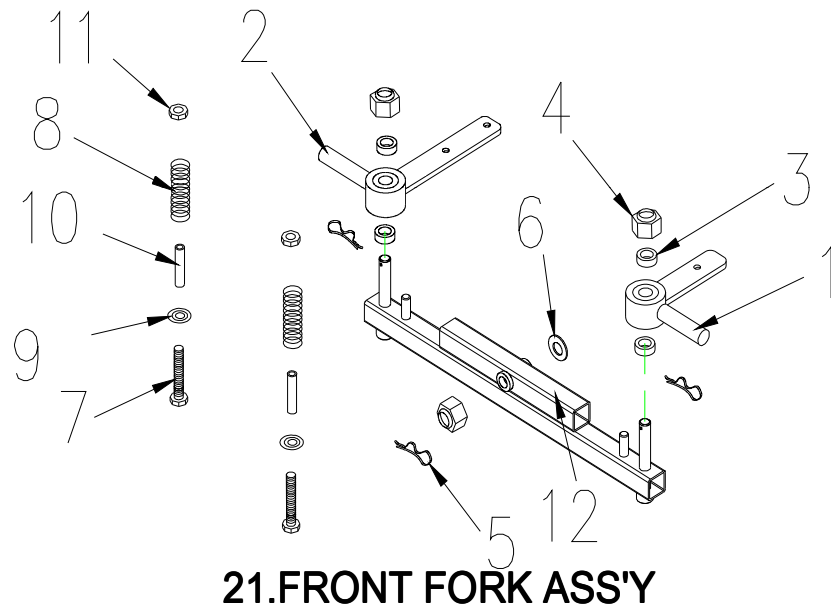
Carpo 4 Limited Edition (ML4SB) Parts List (2012.08.17)



20.REAR TIRE ASS'Y , L

Carpo 4 Limited Edition (ML4SB) Parts List (2012.08.17)				
Fig&Index NO.	Parts No.	Parts Name	QTY.	Remark
		English		
<b>20</b>	<b>S06-051-00600</b>	<b>REAR TIRE ASS'Y,BLACK, L</b>	<b>1SET</b>	
20-1	C06-051-00100	TIRE ,BLACK , 3.0-8C248-16	1	
20-2	C06-051-00200	INNER TUBE , 3.0-8	1	
20-3	C05-051-00301	WHEEL RIM , ALUNINUM , 8"	1	
20-4	C05-051-00401	WHEEL RIM , ALUNINUM , 8"	1	
20-5	C26-060-00800	WHEEL COVER	1	
20-6	C06-005-00202	WHEEL RIM , STEEL	1	
20-7	9201080801252	LOCK NUT , M8x1.25	4	
20-8	9021080301253	BOLT M6x30L	6	
20-9	9211080200142	SPRING WASHER , 5/16	1	
20-10	9214080150232	WASHER , 5/16	1	
20-11	9002080201251	BOLT , M8x20L	1	

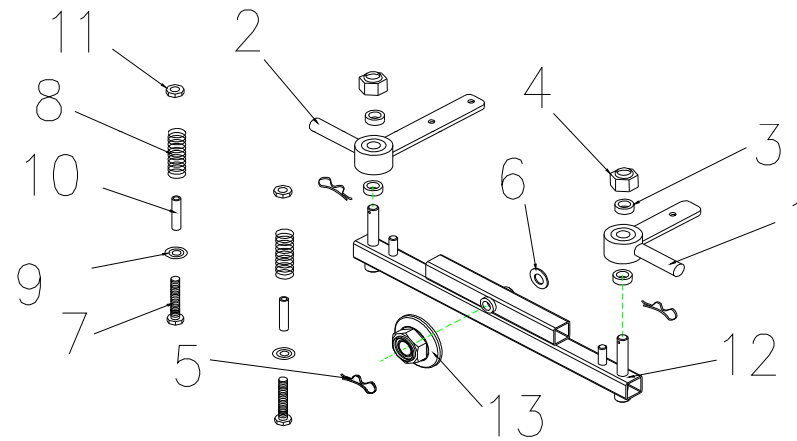
**Carpo 4 Limited Edition (ML4SB) Parts List (2012.08.17)**



### Carpo 4 Limited Edition (ML4SB) Parts List (2012.08.17)

Fig&Index NO.	Parts No.	Parts Name	QTY.	Remark
		English		
<b>21</b>	<b>S03-051-00100</b>	<b>FRONT FORK ASS'Y</b>	<b>1SET</b>	BEFORE P1144879 USE
21-1	C03-001-00106	STEERING AXLE , L , W/I BEARING 6001ZZ	1	
21-2	C03-001-00206	STEERING AXLE , R , W/I BEARING 6001ZZ	1	
21-3	C03-001-10800	SPACER, 20x12xT5	4	
21-4	9201121201752	LOCK NUT , M12	3	
21-5	9363018000002	R TYPE PIN	3	
21-6	9214120250242	WASHER , 1/2	1	
21-7	9036080901251	FLANGE BOLT , M8x90	2	
21-8	C03-039-00401	SPRING	2	
21-9	9214040100262	SPRING WASHER	2	
21-10	C03-036-00501	SPACER , $\psi$ 14x $\phi$ 8.5x40L	2	
21-11	9201080801252	LOCK NUT,M8x1.25	2	
21-12	C03-051-00200	FRONT FORK	1	

**Carpo 4 Limited Edition (ML4SB) Parts List (2012.08.17)**

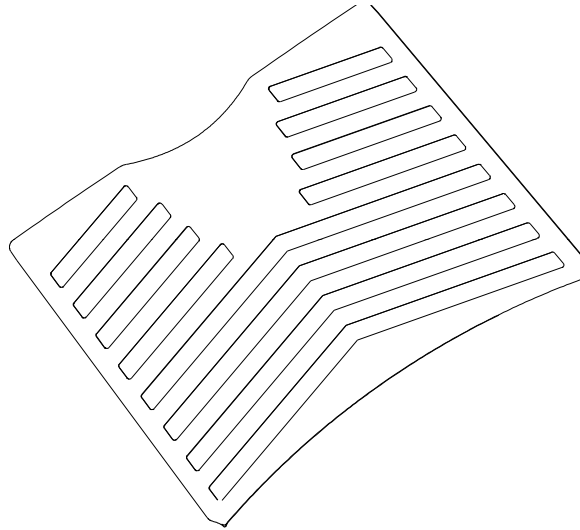


**21.FRONT FORK ASS'Y**

### Carpo 4 Limited Edition (ML4SB) Parts List (2012.08.17)

Fig&Index NO.	Parts No.	Parts Name	QTY.	Remark
		English		
<b>21</b>	<b>S03-051-00101</b>	<b>FRONT FORK ASS'Y</b>	<b>1SET</b>	AFTER P1144880 USE
21-1	C03-001-00106	STEERING AXLE , L , W/I BEARING 6001ZZ	1	
21-2	C03-001-00206	STEERING AXLE , R , W/I BEARING 6001ZZ	1	
21-3	C03-001-10800	SPACER, 20x12xT5	4	
21-4	9201121201752	LOCK NUT , M12	2	
21-5	9363018000002	R TYPE PIN	3	
21-6	9214120250242	WASHER , 1/2	1	
21-7	9036080901251	FLANGE BOLT , M8x90	2	
21-8	C03-039-00401	SPRING	2	
21-9	9214040100262	SPRING WASHER	2	
21-10	C03-036-00501	SPACER , $\varphi$ 14x $\varphi$ 8.5x40L	2	
21-11	9201090801252	LOCK NUT , M8x1.25	2	
21-12	C03-051-00200	FRONT FORK	1	
21-13	9204121251252	NUT , M12xP1.25	1	

**Carpo 4 Limited Edition (ML4SB) Parts List (2012.08.17)**

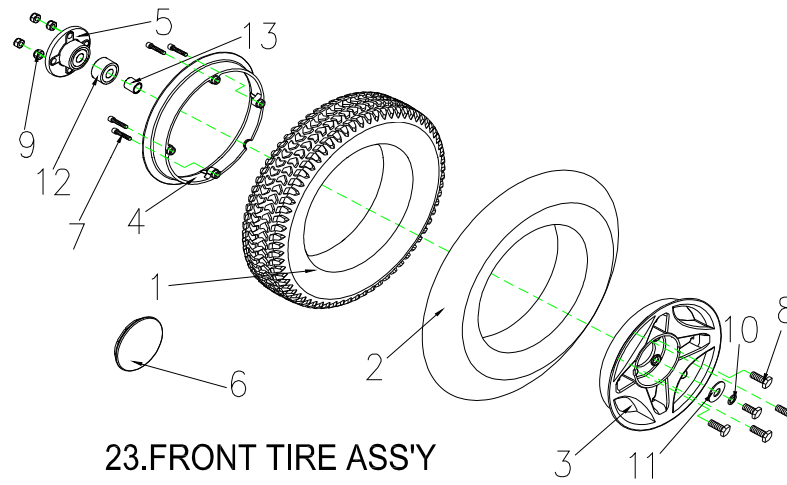


**22.CARPET**

<b>Carpo 4 Limited Edition (ML4SB) Parts List (2012.08.17)</b>				
Fig&Index NO.	Parts No.	Parts Name	QTY.	Remark
		English		
22	C21-051-00100	CARPET , RUBBER BE 01	1	



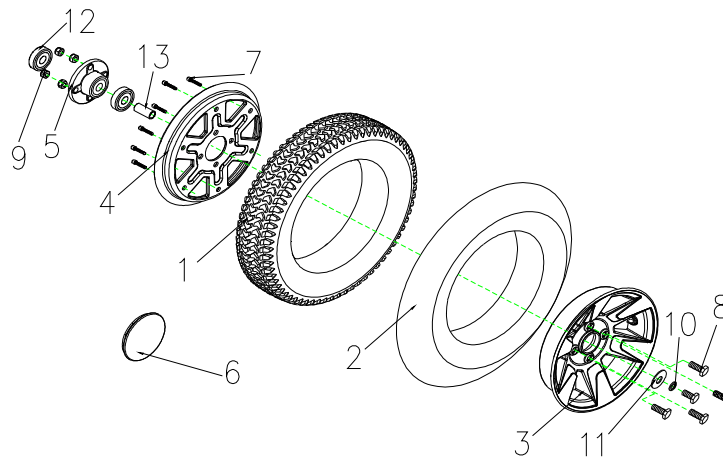
**Carpo 4 Limited Edition (ML4SB) Parts List (2012.08.17)**



### Carpo 4 Limited Edition (ML4SB) Parts List (2012.08.17)

Fig&Index NO.	Parts No.	Parts Name	QTY.	Remark
		English		
<b>23</b>	<b>S05-051-00200</b>	<b>FRONT TIRE ASS'Y 3.0-8C248 BLACK</b>	<b>1SET</b>	
23-1	C06-051-00100	TIRE , 3.0-8C248 BLACK	1	
23-2	C06-051-00200	INNER TUBE 3.0-8	1	
23-3	C05-047-00102	WHEEL RIM , ALUNINUM , 8"	1	
23-4	C05-047-00202	WHEEL RIM , ALUNINUM , 8"	1	
23-5	C05-001-10500	AXLE COLLAR,FRONT WHEEL	1	
23-6	C05-047-00600	COVER , WHEEL RIM	1	
23-7	9022060351001	BOLT M6x30L	4	
23-8	9002080251251	HEXAGONAL BOLT M8x1.25x25L	4	
23-9	9201080801252	LOCK NUT M8x1.25	4	
23-10	9211080200142	SPRING WASHER , 5/16	1	
23-11	9214080150232	WASHER , 5/16	1	
23-12	9653060020000	BEARING , 6202ZZ	2	
23-13	C05-051-00200	SPACER	1	

**Carpo 4 Limited Edition (ML4SB) Parts List (2012.08.17)**

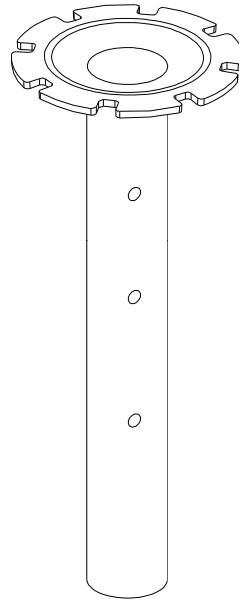


23.FRONT TIRE ASS'Y

### Carpo 4 Limited Edition (ML4SB) Parts List (2012.08.17)

Fig&Index NO.	Parts No.	Parts Name	QTY.	Remark
		English		
<b>23</b>	<b>S05-051-00400</b>	<b>FRONT TIRE ASS'Y 3.0-8C248 BLACK</b>	<b>1SET</b>	
23-1	C06-051-00100	TIRE , 3.0-8C248 BLACK	1	
23-2	C06-051-00200	INNER TUBE 3.0-8	1	
23-3	C05-051-00301	WHEEL RIM , ALUNINUM , 8"	1	
23-4	C05-051-00401	WHEEL RIM , ALUNINUM , 8"	1	
23-5	C05-001-10500	AXLE COLLAR,FRONT WHEEL	1	
23-6	C28-060-00800	COVER , WHEEL RIM	1	
23-7	9021080301253	BOLT M6x30L	6	
23-8	9002080301251	HEXAGONAL BOLT M6x1.25x25L	4	
23-9	9201080801252	LOCK NUT M6x1.25	4	
23-10	9211080200142	SPRING WASHER , 5/16	1	
23-11	9214080150232	WASHER , 5/16	1	
23-12	9653060020000	BEARING , 6202ZZ	2	
23-13	C05-051-00200	SPACER	1	

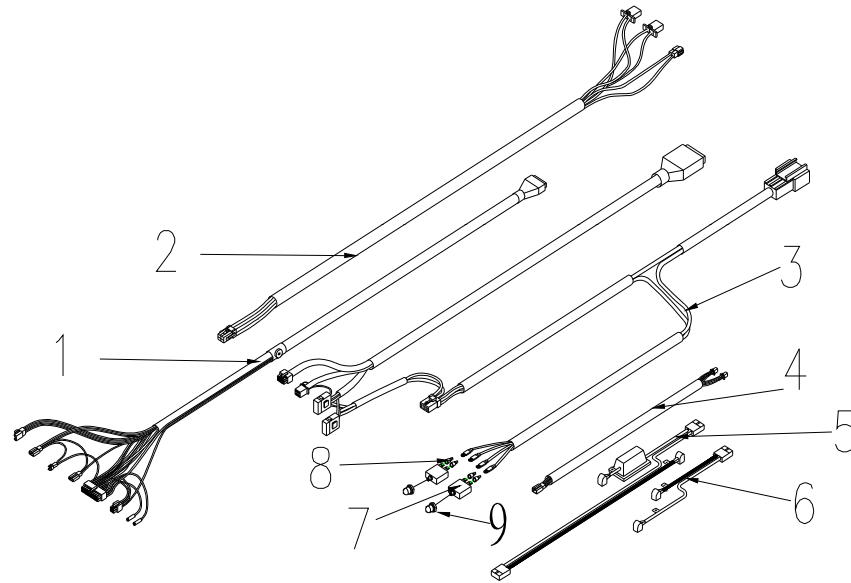
**Carpo 4 Limited Edition (ML4SB) Parts List (2012.08.17)**



**24. SEAT POST**

<b>Carpo 4 Limited Edition (ML4SB) Parts List (2012.08.17)</b>				
Fig&Index NO.	Parts No.	Parts Name	QTY.	Remark
24	C07-051-00700	SEAT POST	1	

**Carpo 4 Limited Edition (ML4SB) Parts List (2012.08.17)**



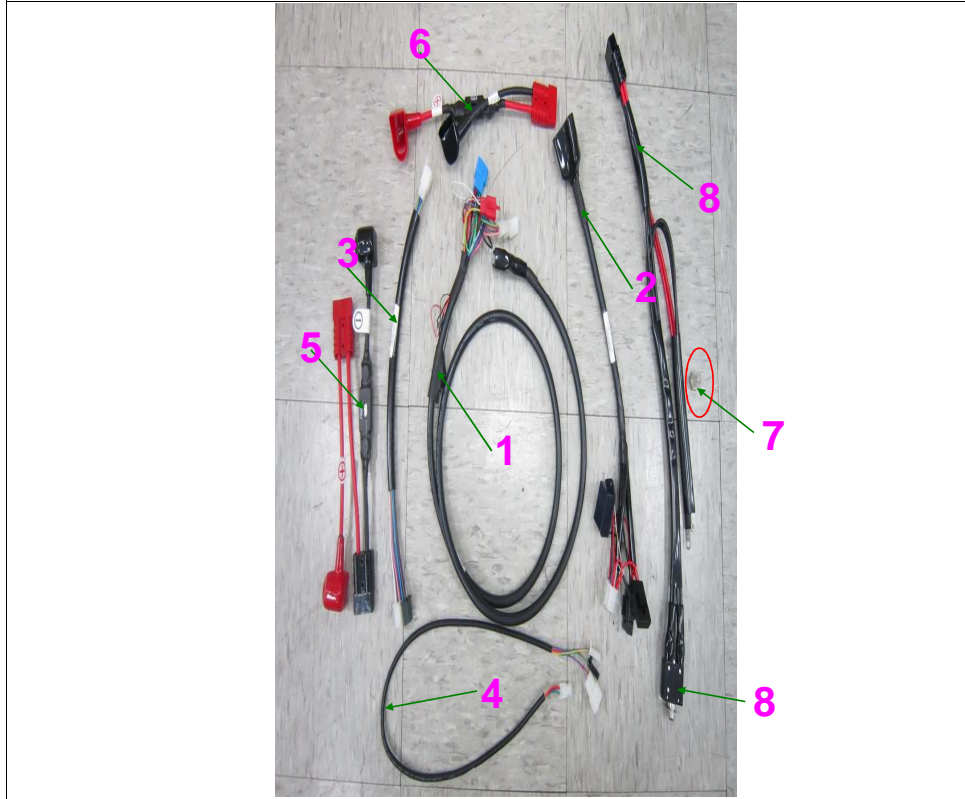
**25.WINE HARNESS ASS'Y**

**Carpo 4 Limited Edition (ML4SB) Parts List (2012.08.17)**

Fig&Index NO.	Parts No.	Parts Name	QTY.	Remark
		English		
<b>25</b>	<b>S18-051-00100</b>	<b>WIRE HARNESS ASS'Y</b>	<b>1SET</b>	<b>BEFORE P118275 USE</b>
25-1	C18-051-00100	WIRE HARNESS , DECAL	1	
25-2	C18-051-00200	WIRE HARNESS , CONTROLLER	1	
25-3	C18-051-00300	CABLE UNIT , REAR SHROUD	1	
25-4	C18-051-00400	WIRE HARNESS FOR SIGNAL LIGHT	1	
25-5	C18-005-01204	BATTERY CABLE , W/I FUSE	1	
25-6	C18-005-01104	BATTERY CABLE , W/I FUSE	1	
25-7	C16-022-00402	BREAKER , 35A	2	
25-8	C26-001-00800	PLUG	4	
25-9	C16-009-00401	PLUG , BREAKER	2	



**Carpo 4 Limited Edition (ML4SB) Parts List (2012.08.17)**



**Carpo 4 Limited Edition (ML4SB) Parts List (2012.08.17)**

Fig&Index NO.	Parts No.	Parts Name	QTY.	Remark
		English		
<b>25</b>	<b>S18-051-00200</b>	<b>WIRE HARNESS ASS'Y</b>	<b>1SET</b>	AFTER P118276 USE
25-1	C18-051-00100	WIRE HARNESS , DECAL	1	
25-2	C18-051-00501	WIRE HARNESS , CONTROLLER	1	
25-3	C18-051-00300	CABLE UNIT , REAR SHROUD	1	
25-4	C18-051-00400	WIRE HARNESS FOR SIGNAL LIGHT	1	
25-5	C18-051-00800	BATTERY CABLE , W/I FUSE	1	
25-6	C18-051-00700	BATTERY CABLE , W/I FUSE	1	
25-7	C16-009-00401	PLUG , BREAKER	2	
25-8	C18-051-00601	POWER CABLE , W/I BREAKER	1	
25-8-1	C16-051-00300	BREAKER , 70A	1	

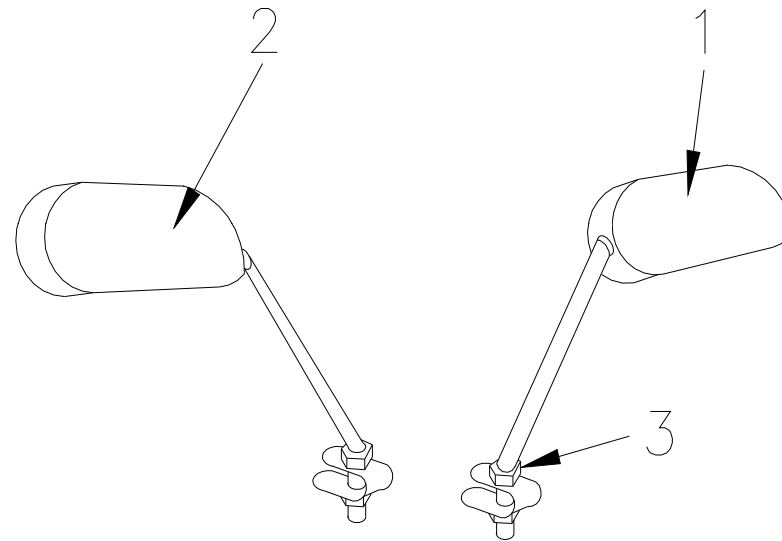
**Carpo 4 Limited Edition (ML4SB) Parts List (2012.08.17)**

**WIRE HARNEE**

### Carpo 4 Limited Edition (ML4SB) Parts List (2012.08.17)

Fig&Index NO.	Parts No.	Parts Name	QTY.	Remark
		English		
<b>25</b>	<b>S18-051-00300</b>	<b>WIRE HARNESS ASS'Y FOR LCD SYSTEM</b>	<b>1SET</b>	
25-1	C18-051-00900	WIRE HARNESS , DECAL	1	
25-2	C18-051-01000	WIRE HARNESS , CONTROLLER	1	
25-3	C18-051-00300	CABLE UNIT , REAR SHROUD	1	
25-4	C18-051-00400	WIRE HARNESS FOR SIGNAL LIGHT	1	
25-5	C18-051-00801	BATTERY CABLE , W/I FUSE	1	
25-6	C18-051-00701	BATTERY CABLE , W/I FUSE	1	
25-7	C18-051-01400	POWER CABLE , W/I BREAKER	2	
25-7-1	C16-009-00401	BREAKER , 70A	2	
25-8	C18-051-01100	IGNITION SWITCH , ADAPTER	1	
25-9	C18-051-01200	SPEED LEVER , ADAPTER	1	
25-10	C18-051-01300	FRONT SIGNAL LAMP , ADAPTER	1	

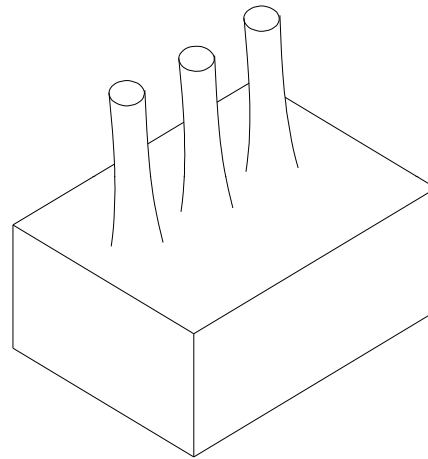
Carpo 4 Limited Edition (ML4SB) Parts List (2012.08.17)



26. MIRROR ASS'Y

Carpo 4 Limited Edition (ML4SB) Parts List (2012.08.17)					
Fig&Index NO.	Parts No.	Parts Name		QTY.	Remark
		English			
<b>26</b>	<b>C27-001-10100</b>	<b>MIRROR COMP</b>		<b>1SET</b>	
26-1	C37-001-00201	MIRROR, R		1	
26-2	C37-001-00300	MIRROR, L		1	
26-3	9202100601252	NUT,M10x1.25		2	

**Carpo 4 Limited Edition (ML4SB) Parts List (2012.08.17)**

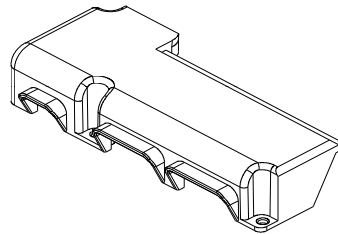


**27.COVER , CONTROLER**

<b>Carpo 4 Limited Edition (ML4SB) Parts List (2012.08.17)</b>					
Fig&Index NO.	Parts No.	Parts Name		QTY.	Remark
		English			
27	C26-005-00800	COVER CONTROLER		1	BEFORE P118275 USE



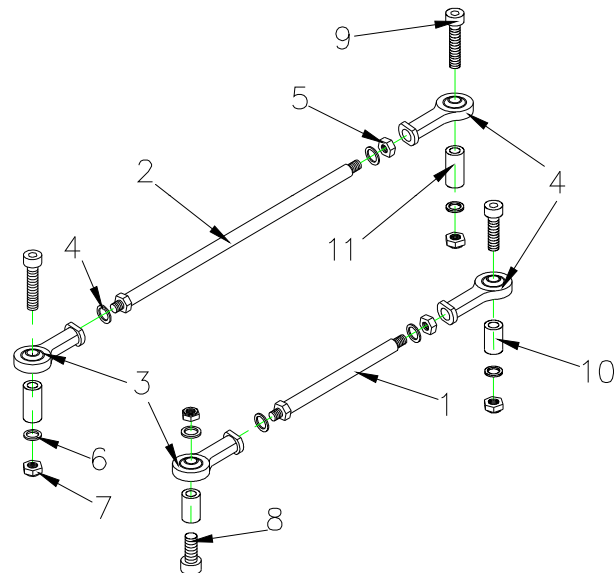
**Carpo 4 Limited Edition (ML4SB) Parts List (2012.08.17)**



**27.COVER , CONTROLER,  
RHINO 2**

<b>Carpo 4 Limited Edition (ML4SB) Parts List (2012.08.17)</b>					
Fig&Index NO.	Parts No.	Parts Name		QTY.	Remark
		English			
27	C26-051-00501	COVER CONTROLER , RHINO 2		1	AFTER P118276 USE

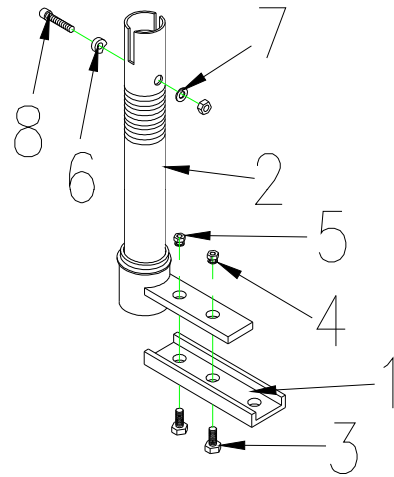
Carpo 4 Limited Edition (ML4SB) Parts List (2012.08.17)



28.CONNECTION ROD,GUIDING ASS'Y

Carpo 4 Limited Edition (ML4SB) Parts List (2012.08.17)				
Fig&Index NO.	Parts No.	Parts Name	QTY.	Remark
		English		
<b>28</b>	<b>S03-051-00200</b>	<b>CONNECTING ROD.FRONT FORK ASS'Y</b>	<b>1SET</b>	
28-1	C03-036-00201	CONNECTION ROD.GUIDING	1	
28-2	C03-036-00301	CONNECTION ROD.FRONT FORK	1	
28-3	C19-029-00100	BALL JIONT ,RBL8 ,L	2	
28-4	C19-029-00200	BALL JIONT ,RBL8 ,R	2	
28-5	9202080601251	NUT , M8	2	
28-6	9211080200142	SPRING WASHER , 5/16	4	
28-7	9201080801252	LOCKING NUT , M8	4	
28-8	9035080501251	BOLT M8x50L	2	
28-9	9035080651253	BOLT M8x1.25x55L(ED)	2	
28-10	C05-047-00400	SPACER, ψ14Xψ10.5X19L	2	
28-11	C03-001-00300	SPACER , 9x32	2	

**Carpo 4 Limited Edition (ML4SB) Parts List (2012.08.17)**

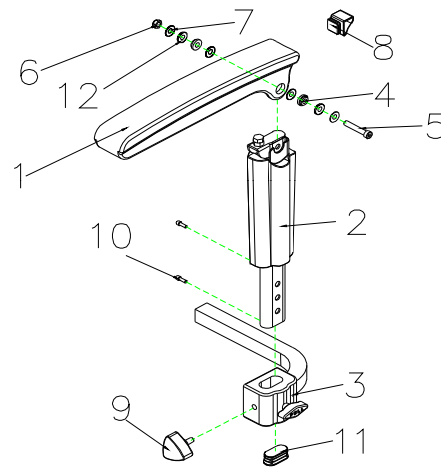


**29.L TYPE STEERING AXLE ASS'Y**

### Carpo 4 Limited Edition (ML4SB) Parts List (2012.08.17)

Fig&Index NO.	Parts No.	Parts Name	QTY.	Remark
		English		
<b>29</b>	<b>S02-036-00200</b>	<b>L TYPE STEERING AXLE ASS'Y</b>	<b>1SET</b>	
29-1	C03-001-10600	STEERING ARM	1	
29-2	C03-036-00100	L TYPE STEERING AXLE ASS'Y	1	
29-3	9002080201251	BOLT,M8x20L	2	
29-4	9211080200142	WASHER,5/16	2	
29-5	9201080801252	LOCK NUT,M8x1.25	3	
29-6	9367170800300	WASHER	1	
29-7	9250080200193	WASHER , Φ19xΦ8x1.5T	1	
29-8	9035080401251	BOLT , M8x40L	1	

**Carpo 4 Limited Edition (ML4SB) Parts List (2012.08.17)**



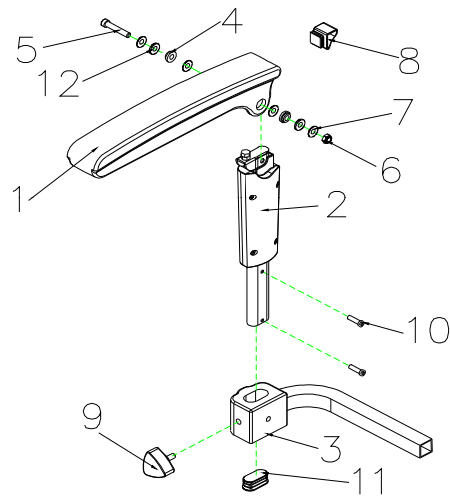
**30. ARMREST ASS'Y , L**

### Carpo 4 Limited Edition (ML4SB) Parts List (2012.08.17)

Fig&Index NO.	Parts No.	Parts Name	QTY.	Remark
		English		
<b>30</b>	<b>S07-044-00100</b>	<b>ARMREST , ADJUSTABLE , L , W/ COVER</b>	<b>1</b>	
30-1	C07-044-00503	ARMREST , UPPER	1	
30-2	C07-044-00702	ARMREST , LOWER, L	1	
30-3	C07-044-02201	ARMREST ADJUSTMENT BASE	1	
30-4	C07-044-01701	WASHER , 8mm	2	
30-5	9032080501253	HEXAGON BOLT , M8x50	1	
30-6	9206081251252	LOCK NUT , M8x1.25	1	
30-7	9214080100163	WASHER , M8	4	
30-8	C07-044-00601	PLUG	1	
30-9	C30-001-10202	BOLT,W/I KNOB , M8x20	1	
30-10	9004040120704	BOLT , M4X12	2	
30-11	C07-044-01800	PLUG-OB2040C	1	
30-12	C05-017-00600	SPACER q8.1Xq11X3T	2	



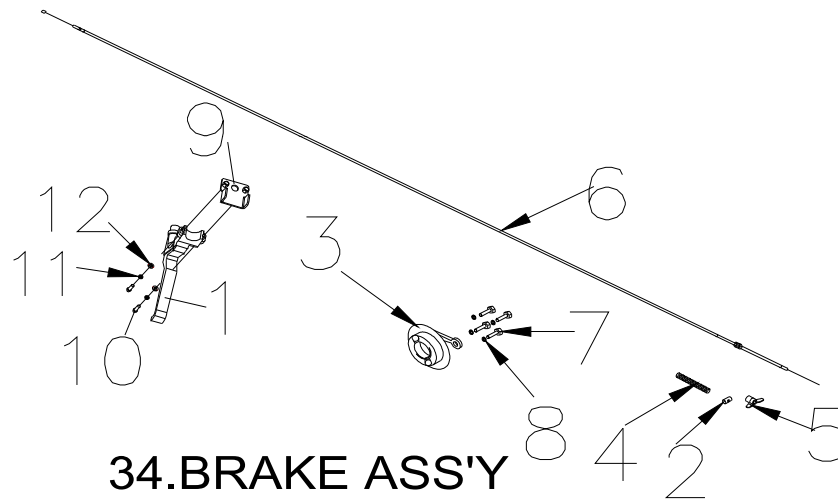
**Carpo 4 Limited Edition (ML4SB) Parts List (2012.08.17)**



**32. ARMREST ASS'Y , R**

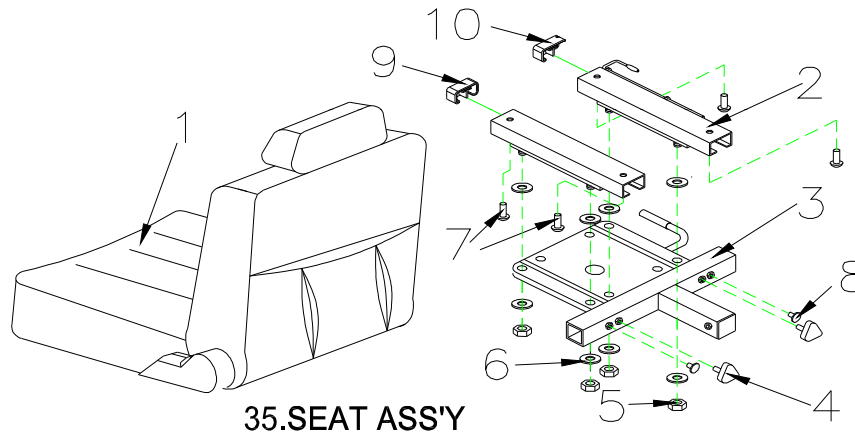
<b>Carpo 4 Limited Edition (ML4SB) Parts List (2012.08.17)</b>				
Fig&Index NO.	Parts No.	Parts Name English	QTY.	Remark
<b>32</b>	<b>S07-044-00700</b>	<b>ARMREST , ADJUSTABLE , R , W/ COVER</b>	<b>1</b>	
32-1	C07-044-00503	ARMREST , UPPER	1	
32-2	C07-044-00802	ARMREST , LOWER, R	1	
32-3	C07-044-02201	LOCK NUT , M8x1.25	1	
32-4	C07-044-01701	WASHER , 8mm	2	
32-5	9032080501253	HEXAGON BOLT , M8x50	1	
32-6	9206081251252	LOCK NUT , M8x1.25	1	
32-7	9214080100163	WASHER , M8	4	
32-8	C07-044-00601	PLUG	1	
32-9	C30-001-10202	BOLT,W/I KNOB , M8x20	2	
32-10	9004040120704	BOLT , M4X12	2	
32-11	C07-044-01800	PLUG-OB2040C	1	
32-12	C05-017-00600	SPACER q8.1Xq11X3T	2	

**Carpo 4 Limited Edition (ML4SB) Parts List (2012.08.17)**



Carpo 4 Limited Edition (ML4SB) Parts List (2012.08.17)					
Fig&Index NO.	Parts No.	Parts Name		QTY.	Remark
		English			
<b>34</b>	<b>S35-051-00100</b>	<b>BRAKE ASS'Y</b>		<b>1SET</b>	
34-1	C35-045-00300	LEVER , BRAKE		1	
34-2	C35-005-00500	PIN , BRAKE		1	
34-3	C06-005-00301	COVER BRAKE.REAR		1	
34-4	C35-005-00401	SPRING , BRAKE		1	
34-5	C35-005-01000	NUT , BRAKE		1	
34-6	C35-051-00101	CABLE , BRAKE		1	
34-7	9002060101003	BOLT , M6x10		4	
34-8	9211060150102	SPRING WASHER , M6		4	
34-9	C35-051-00200	HOLDER , BRAKE		1	
34-10	9004050200804	BOLT , M5x20L		2	
34-11	9211050100802	SPRING WASHER ,M5		2	
34-12	9214050100122	WASHER,M5		2	

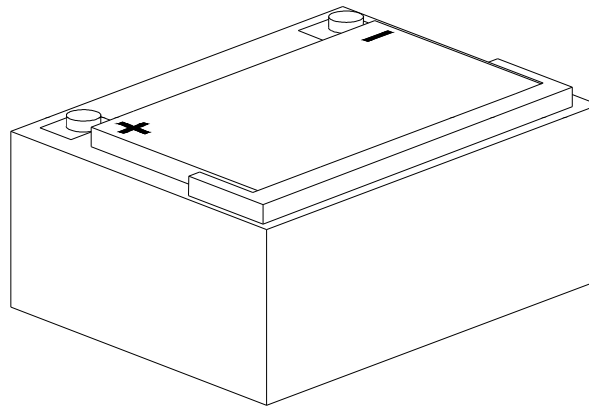
**Carpo 4 Limited Edition (ML4SB) Parts List (2012.08.17)**



### Carpo 4 Limited Edition (ML4SB) Parts List (2012.08.17)

Fig&Index NO.	Parts No.	Parts Name	QTY.	Remark
		English		
<b>35</b>	<b>S07-051-00100</b>	<b>SEAT ASS'Y , TA-380C3</b>	<b>1SET</b>	
35-1	C07-051-00101	SEAT	1	
35-2	C07-016-00600	SLIDER , 150mm	1SET	
35-3	C07-051-00402	SEAT PLATE	1	
35-4	C30-001-10202	BOLT.W/I KNOB , M8x25	2	
35-5	9201080801252	LOCK NUT , M8x1.25	4	
35-6	9214080150232	WASHER , 5/16	8	
35-7	9032080151253	BOLT , M8x10L	4	
35-8	C26-001-00602	PLUG	2	
35-9	C26-003-00200	PLUG , SLIDER , L	1	
35-10	C26-003-00300	PLUG , SLIDER , R	1	
35-11	9211080200142	SPRING WASHER , M8	4	
<b>35</b>	<b>S07-051-00500</b>	<b>SEAT ASS'Y , TA-386C3</b>	<b>1SET</b>	
35-1	C07-066-00300	SEAT,18X18X22" , (TA386C3)	1	
35-2	C07-016-00600	SLIDER , 150mm	1SET	
35-3	C07-051-00402	SEAT PLATE	1	
35-4	C30-001-10202	BOLT.W/I KNOB , M8x25	2	
35-5	9201080801252	LOCK NUT , M8x1.25	4	
35-6	9214080150232	WASHER , 5/16	8	
35-7	9032080151253	BOLT , M8x10L	4	
35-8	C26-001-00602	PLUG	2	
35-9	C26-003-00200	PLUG , SLIDER , L	1	
35-10	C26-003-00300	PLUG , SLIDER , R	1	
35-11	9211080200142	SPRING WASHER , M8	4	

**Carpo 4 Limited Edition (ML4SB) Parts List (2012.08.17)**

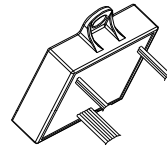


**36. BATTERY**

<b>Carpo 4 Limited Edition (ML4SB) Parts List (2012.08.17)</b>					
Fig&Index NO.	Parts No.	Parts Name		QTY.	Remark
		English			
36	C17-005-00200	BATTERY 50AH		1	



**Carpo 4 Limited Edition (ML4SB) Parts List (2012.08.17)**



37.Constant speed unit control box

<b>Carpo 4 Limited Edition (ML4SB) Parts List (2012.08.17)</b>					
Fig&Index NO.	Parts No.	Parts Name		QTY.	Remark
		English			
37	C11-051-00100	CONSTANT SPEED UNIT CONTROL BOX		1	

<b>Carpo 4 Limited Edition (ML4SB) Parts List (2012.08.17)</b>				
Fig&Index NO.	Parts No.	Parts Name	QTY.	Remark
		English		
<b>38</b>		<b>ACCESSORIES</b>		
<b>38-1</b>	<b>S23-051-00100</b>	<b>PLACTIC BASKET ASS'Y</b>	<b>1</b>	
38-1-1	C23-051-00100	BASKET , PLACTIC	1	
38-1-2	C26-051-00600	BASKET HOLDER,PAINTED,UPPER	1	
38-1-3	C26-051-00700	BASKET HOLDER,PAINTED,LOWER	1	
38-1-4	9005060151002	BOLT M6X15L	4	
38-1-5	9201060601003	LOCK NUT , M6X1.0	4	
38-1-6	9214070100193	WASHER , OD=19/ID=7/T=1mm	4	
<b>38-2</b>	<b>S16-051-00100</b>	<b>SPEED SENSOR ASS'Y</b>	<b>1</b>	
<b>38-2-1</b>	C16-051-00200	SPEED SENSOR	1	
<b>38-2-2</b>	C01-051-01900	SPEED SENSOR , BRACKET	1	
38-3	C23-001-10300	BASKET	1	
38-4	C37-051-00101	OWNER'S MANUAL , BE 01	1	
38-5	C99-051-00100	CARTON , BE 01	1	
38-6	C99-051-00201	SEAT CARTON , BE 01	1	
38-7	C12-023-00100	CHARGER , CTE 4A OFF BOARD	1	
38-8	C12-051-00300	CHARGER , CTE 6A OFF BOARD	1	
38-9	C12-001-00800	POWER CABLE.CHARGER , EU	1	
38-27	C99-051-00700	CARTON , VERMEIREN	1	

<b>Carpo 4 Limited Edition (ML4SB) Parts List (2012.08.17)</b>				
Fig&Index NO.	Parts No.	Parts Name	QTY.	Remark
<b>39-6</b>	<b>C27-051-01000</b>	<b>LABEL , SPEAD</b>	<b>1</b>	
<b>39-7</b>	<b>S27-051-00200</b>	<b>LABEL SET , FRONT SHROUD</b>	<b>1SET</b>	
39-7-1	C27-051-00100	LABEL , BRAND , BE 01	1	
39-7-2	C31-001-00200	VELCRO STRIP.LOOP.45	2	
39-7-3	C31-001-00100	VELCRO STRIP.HOOK.45	2	
<b>39-10</b>	<b>S27-051-00300</b>	<b>LABEL SET , SHROUD</b>	<b>1SET</b>	
39-10-1	C08-029-00501	DAMAGE PROOF PIECE	2	
39-10-2	9906065000000	PIN ,M6.5	4	
39-10-3	C26-029-00101	FOOTREST PAD , L	1	
39-10-4	C26-029-00201	FOOTREST PAD , R	1	
39-10-5	9906060130000	PLASTIC SCREW ,M6	8	
39-10-6	C31-001-00200	VELCRO STRIP.LOOP.45	4	
39-10-7	C31-001-00100	VELCRO STRIP.HOOK.45	8	
39-10-8	C31-016-00200	VELCRO STRIP.LOOP.80	2	
<b>39-11</b>	<b>S27-051-00100</b>	<b>LABEL SET , BATTERY COVER</b>	<b>1SET</b>	
39-11-1	C24-001-00300	REFLECTOR , YELLOW	2	
39-11-2	C27-009-01700	LABEL , EMI	1	
39-11-3	C27-001-10700	LABEL , ELECTROMAGNETISM	1	
39-11-4	C27-001-00200	LABEL , CE , 30x23mm	1	
39-11-5	C31-010-00100	VELCRO STRIP.LOOP.125	1	
39-11-6	C31-010-00200	VELVRO STRIP.HOOK.125	1	
39-11-7	C27-062-00100	LABEL , BATTERY LAYOUT	1	

Carpo 4 Limited Edition (ML4SB) Parts List (2012.08.17)				
Fig&Index NO.	Parts No.	Parts Name	QTY.	Remark
		English		
		<b>LABEL ACCESSORIES</b>		
<b>39-14</b>	<b>S27-051-00400</b>	<b>LABEL SET , REAR SHROUD , BE 01</b>	<b>1SET</b>	
39-14-1	C27-001-01900	LABEL , NEVER LIFT UP	1	
39-14-2	C27-001-00801	LABEL , FREEWHEEL-ENGAGED	1	
39-14-3	C27-051-00200	LABEL , BRAND , BE 01	1	
39-14-4	C27-034-01900	LABEL , LOGO , BE 01	1	
39-14-5	C24-051-00100	REFLECTOR , RED	1	
39-14-6	C31-001-00100	VELCRO STRIP.HOOK,45	2	
39-14-7	C31-016-00200	VELCRO STRIP.LOOP,80	2	
39-14-8	C31-010-00100	VELCRO STRIP.LOOP,125	1	
39-14-9	C31-010-00200	VELCRO STRIP.HOOK,125	1	

### Carpo 4 Limited Edition (ML4SB) Parts List (2012.08.17)

Fig&Index NO.	Parts No.	Parts Name	QTY.	Remark
		English		
<b>39-21</b>	<b>S27-051-01600</b>	<b>LABEL SET , REAR SHROUD , BE 01 , FOR LCD SYSTEM</b>	<b>1SET</b>	
39-21-1	C27-001-01900	LABEL , NEVER LIFT UP	1	
39-21-2	C27-001-00801	LABEL , FREEWHEEL-ENGAGED	1	
39-21-3	C27-051-01100	LABEL , BRAND , BE 01	1	
39-21-4	C27-034-01900	LABEL , LOGO , BE 01	1	
39-21-5	C24-051-00100	REFLECTOR , RED	1	
39-21-6	C31-001-00100	VELCRO STRIP.HOOK,45	2	
39-21-7	C31-016-00200	VELCRO STRIP.LOOP,80	2	
39-21-8	C31-010-00100	VELCRO STRIP.LOOP,125	1	
39-21-9	C31-010-00200	VELCRO STRIP.HOOK,125	1	
<b>39-22</b>	<b>S27-051-01700</b>	<b>LABEL SET , FRONT SHROUD , FOR LCD SYSTEM</b>	<b>1SET</b>	
39-22-1	C27-051-01100	LABEL , BRAND , BE 01	1	
39-22-2	C31-001-00200	VELCRO STRIP.LOOP,45	2	
39-22-3	C31-001-00100	VELCRO STRIP.HOOK,45	2	