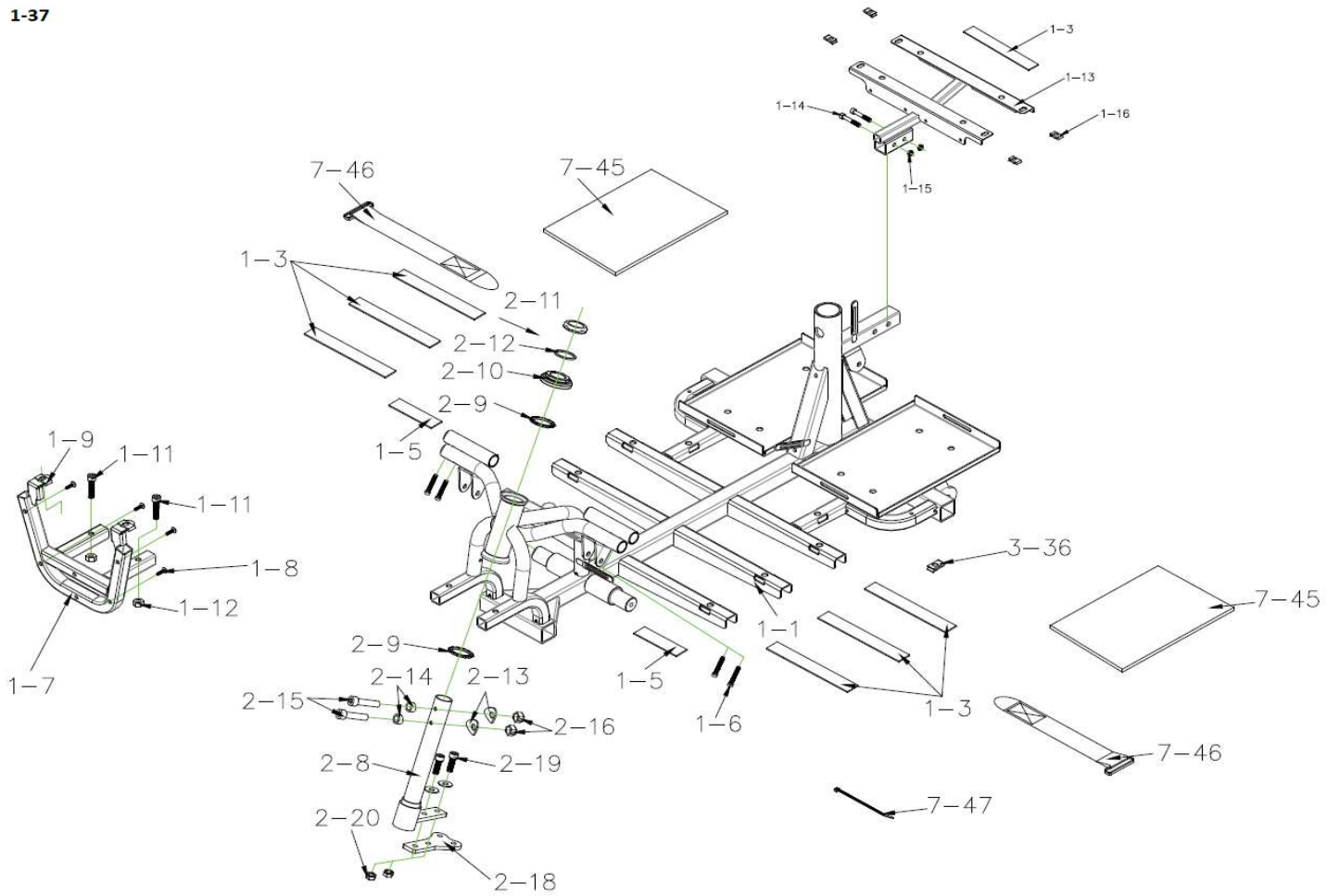


exploded view:
MERCURIUS 4
(2021-05)

31.05.2021

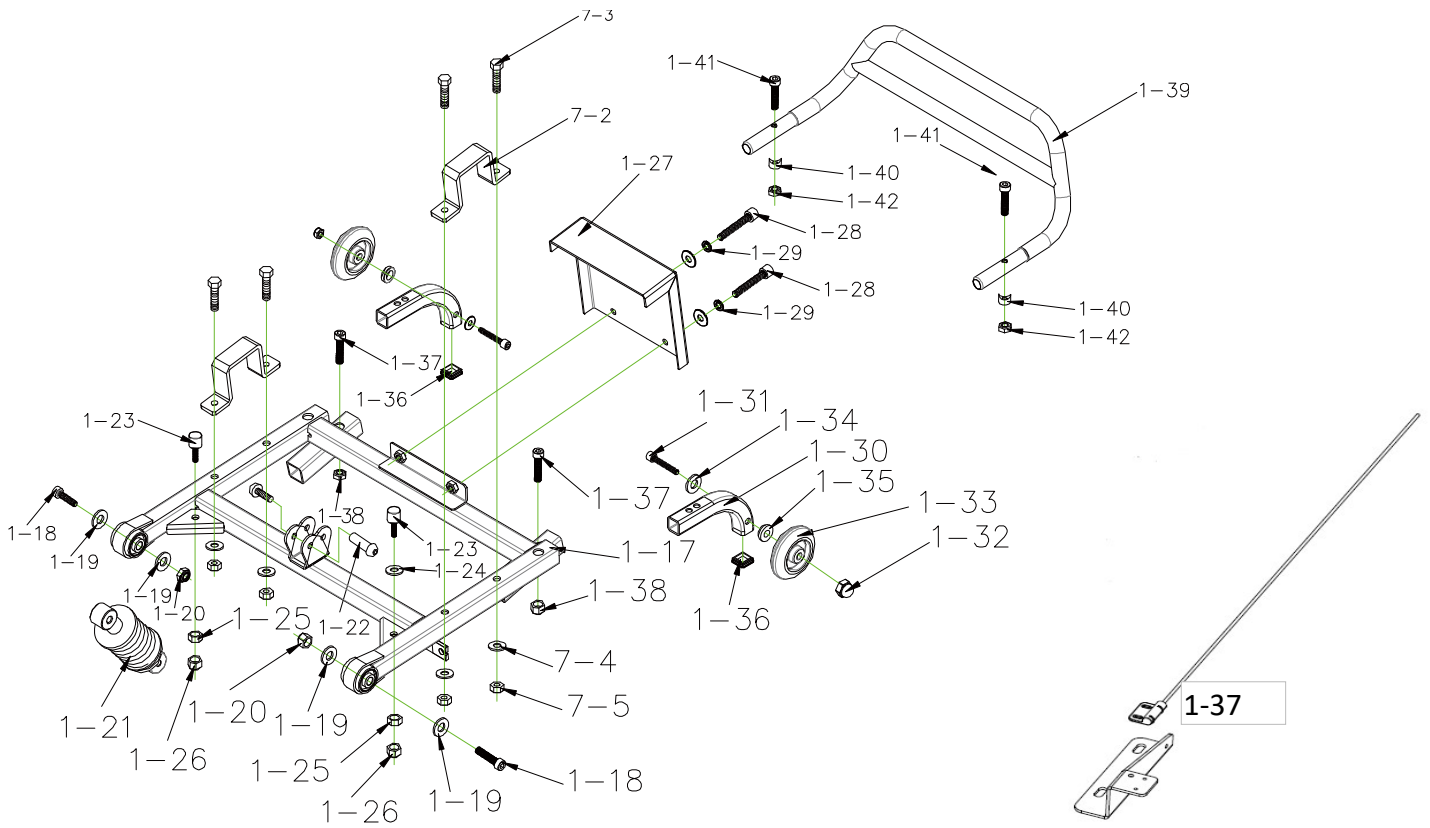
1-37



exploded view:
MERCURIUS 4
(2021-05)

Fig&Index NO.	Parts No.	Description	QTY.	Remark
FRON BUMPER HOLDER				
1-7	1913018	FRONT BUMPER	1	
1-8		BOLT, M6X30L	4	
1-9		U-type SPRING NUT,M6x2t, ED	2	
1-11		HEXAGON BOLT , M8x55L	2	
1-12		LOCK NUT,M8	2	
L TYPE STEERING AXLE				
2-8		L TYPE STEERING AXLE	1	
2-9		BEARING	2	
2-10		BEARING BUSH	1	
2-11		LOCKING NUT,BEARING	1	
2-12		COLLARLESS WASHER	1	
2-13		CURVED WASHER,M6, BLACK OXIDE,6mm ID ×19mm OD ×1.0mm TH	1	
2-14		CURVED WASHER,OD:17mm,ID:6.2mm,T:6t	1	
2-15		BOLT M8xP1.25x25L	1	
2-16		LOCK NUT M8x1.25	1	
2-18	1916130	SW*L-PLAAT STUURPEN MERC4	1	
2-19		BOLT M8xP1.25x25L	2	
2-20		LOCK NUT M8x1.25	2	
FRONT FRAME				
1-1	1915038	FRAME,FRONT	1	
1-6		HEXAGON BOLT , M6X35L	4	
3-36		U-TYPE SPRING NUT , M6	1	
VELCRO STRIP				
1-3	1913048	VELCRO STRIP,LOOP 160mm	7	
1-5		VELCRO STRIP,LOOP 100mm	2	
7-46		VELCRO STRIP,BATTERY	2	
7-45		RUBBER PAD , BATTERY	2	
REAR SHROUD HOLDER				
1-13	1913049	REAR SHROUD HOLDER	1	
1-14		HEX SOCKET BOLT,M8xP1.25x40L, GRADE 12.9, DACROMET	2	
1-15		LOCK NUT,M8	2	
1-16		U-type SPRING NUT,M6x2T, ED	4	

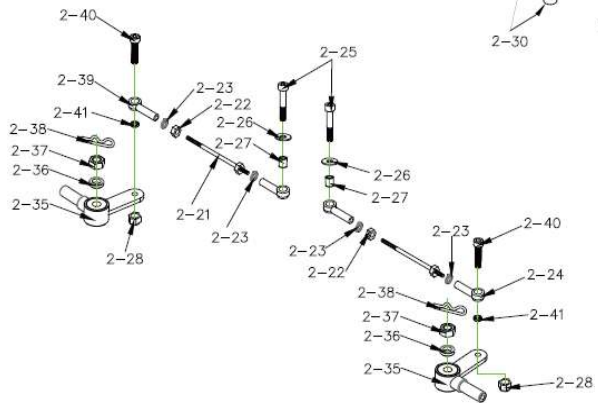
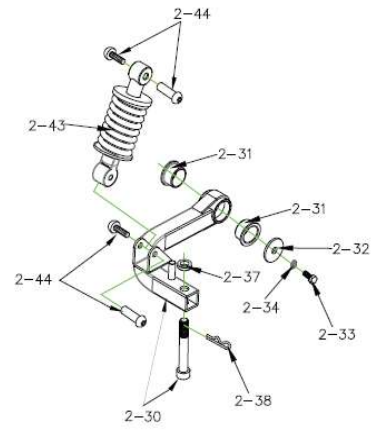
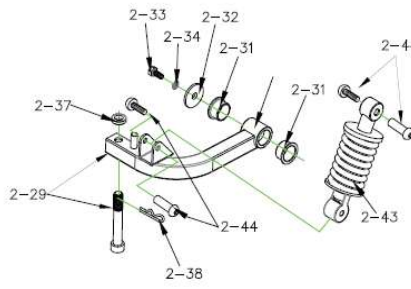
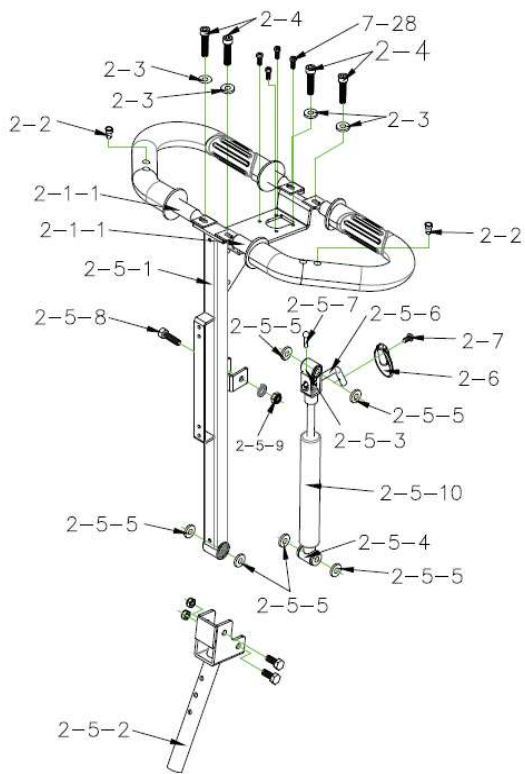
exploded view:
MERCURIUS 4
(2021-05)



exploded view:
MERCURIUS 4
(2021-05)

Fig&Index NO.	Parts No.	Description	QTY.	Remark
REAR FRAME				
1-17		FRAME,REAR	1	
1-18		HEX SOCKET BOLT,M10×P1.5×55L, GRADE 12.9, DACROMET	4	
1-19		WASHER	4	
1-20		LOCK NUT,M10×P1.5, ZINC PLATED	2	
1-25		NUT,M8XP1.25	2	
1-26		LOCK NUT,M8	2	
7-2		U-TYPE PLATE,MOTOR	2	
7-3		HEXAGON SCREW-BYTE M8X45L	4	
7-4		WASHER	8	
7-5		LOCK NUT , M8	4	
1-37		HEX SOCKET BOLT,M8×P1.25×60L, GRADE 12.9, DACROMET	2	
1-38		LOCK NUT,M8	2	
1-22		LOCK SCREW , M8XP1.25X30L	2	
1-23		CHASSIS RUBBER STOPPER	2	
1-24		WASHER M8	2	
1-37	1908761	SPEED SENSOR	1	
SUSPENSION				
1-21	1912710	REAR ABSORBER , 650LBS	1	
REAR BUMPER				
1-39	1913047	REAR BUMPER	1	
1-40		CURVED WASHER,OD:17mm,ID:6.2mm,T:6T	2	
1-41		HEXAGON BOLT , M6×35L	2	
1-42		LOCK NUT,M6, ED	2	
1-27		HOLDER , CONTROLLER	1	
1-28		HEX SCREW,M8×P1.25×20L,GRADE 12.9, DACROMET	2	
1-29		SPRING WASHER,M8, ZINC PLATED,8mm ID ×14mm OD ×2.0mm TH	2	
RH & LH ANTI-TIPPER				
1-30		ANTI-TIPPERS FRAMES	2	
1-31		HEX SOCKET BOLT,M8×P1.25×40L, GRADE 12.9, DACROMET	2	
1-32		Lock Nut,M8	2	
1-33		ANT-TIP WHEELS	2	
1-34		WASHER	2	
1-35		WASHER,Ø14×Ø8×3.5L	2	
1-36		PLUG , 20X20mm	2	

exploded view:
MERCURIUS 4
(2021-05)



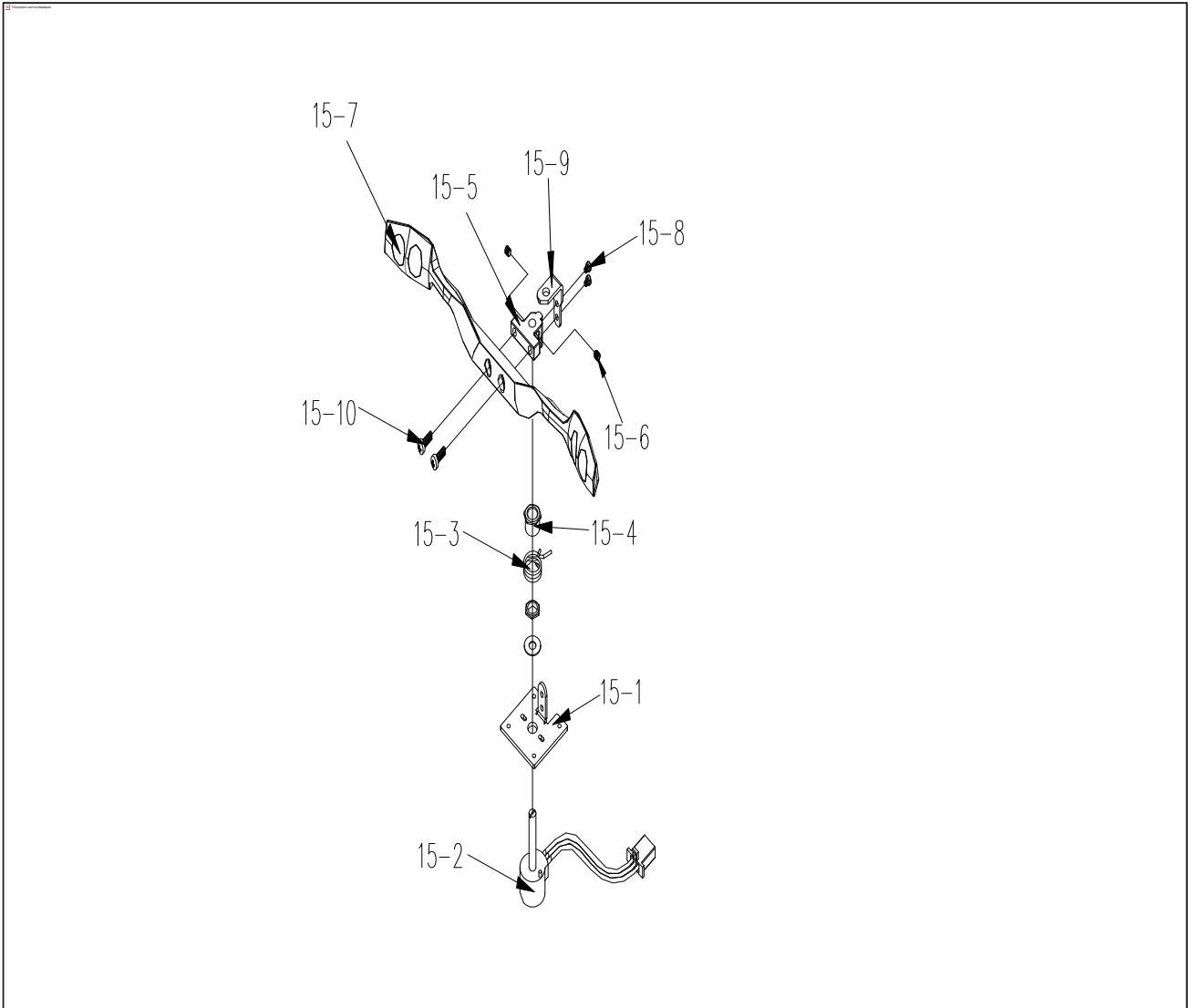
exploded view:
MERCURIUS 4
(2021-05)

Fig&Index NO.	Parts No.	Description	QTY.	Remark
		TILLER		
2-1		TILLER, including DELTA BAR	2	
2-1-1		TILLER ONLY	2	
2-2		REAR MIRROR RH PLUG, ON DELTA BAR	2	
2-3		WASHER	4	
2-4		BOLT M6X15L	4	
2-5		HANDLE BAR ,T TYPE	1	
2-5-1		HANDLE BAR ,T TYPE UPPER	1	
2-5-2	1912638	HANDLE BAR ,T TYPE LOWER	1	
2-5-3	1913964	OIL PRESSURE STICK FRAME , UPPER	1	
2-5-4	1913728	OIL PRESSURE STICK FRAME , LOWER	1	
2-5-5		WASHER,8mm	4	
2-5-6	1913965	LEVER	1	
2-5-7		R TYPE PIN	1	
2-5-8		BOLT M8x50	3	
2-5-9		LOCKING NUT M8x1.25	3	
2-5-10	1904289	OIL PRESSURE STICK , 45KG	1	
2-6		SHAFT	1	
2-7		BOLT M4x8	1	
7-28		BOLT M3x8L	4	
	1912729	RH ABSORBER ARM ASSY	1	
2-29		RH ABSORBER ARM	1	
2-31	1915139	BUSH	2	
2-32		WASHER	1	
2-33		HEX SCREW,M8×P1.25×20L,GRADE 8.8, DACROMET	1	
2-34		SPRING WASHER,M8, ZINC PLATED,8mm ID ×14mm OD ×2.0mm TH	1	
2-37		BOLT M12xP1.75	1	
2-38		R PIN 1.8mm	1	
2-41		SPACER ψ8.1Xψ11X3T	1	
2-43	1912744	SUSPENTION,YELLOW,150 lbs	1	
2-44		LOCK SCREW , M8XP1.25X30L	2	
	1912730	LH ABSORBER ARM ASSY	1	
2-30		LH ABSORBER ARM	1	
2-31		BUSH	2	
2-32		WASHER	1	
2-33		HEX SCREW,M8×P1.25×20L,GRADE 8.8, DACROMET	1	
2-34		SPRING WASHER,M8, ZINC PLATED,8mm ID ×14mm OD ×2.0mm TH	1	
2-37		BOLT M12xP1.75	1	
2-38		R PIN 1.8mm	1	
2-41		SPACER ψ8.1Xψ11X3T	1	
2-43		SUSPENTION,YELLOW,150 lbs	1	
2-44		LOCK SCREW , M8XP1.25X30L	2	

exploded view:
MERCURIUS 4
(2021-05)

Fig&Index NO.	Parts No.	Description	QTY.	Remark
		RIGHT STEERING		
2-21		CONNECTION ROD, GUIDING	1	
2-22		NUT M8x13x1.25	1	
2-23		SPRING WASHER, M8, ZINC PLATED, 8mm ID x14mm OD x2.0mm TH	2	
2-25		BOLT M8xP1.25x45l	1	
2-26		WASHER	1	
2-27		SPACER , Ø8.1XØ11X12T	1	
2-35	1914027	LH ABSORBER ARM	1	
2-36		SPACER 20x12x5T	2	
2-37		BOLT M12xP1.75	1	
2-38		R PIN 1.8mm	1	
2-39		BALL JIONT, RH	1	
2-40		BOLT M8xP1.25x35L	2	
		CONNECTION ROD, GUIDING		
2-21		CONNECTION ROD, GUIDING	1	
2-22		NUT M8x13x1.25	1	
2-23		SPRING WASHER, M8, ZINC PLATED, 8mm ID x14mm OD x2.0mm TH	2	
2-25		BOLT M8xP1.25x45l	1	
2-26		WASHER	1	
2-27		SPACER , Ø8.1XØ11X12T	1	
2-35		LH ABSORBER ARM	1	
2-36		SPACER 20x12x5T	2	
2-37		BOLT M12xP1.75	1	
2-38		R PIN 1.8mm	1	
2-24	1912744	BALL JIONT, LH	1	
2-40		BOLT M8xP1.25x35L	2	

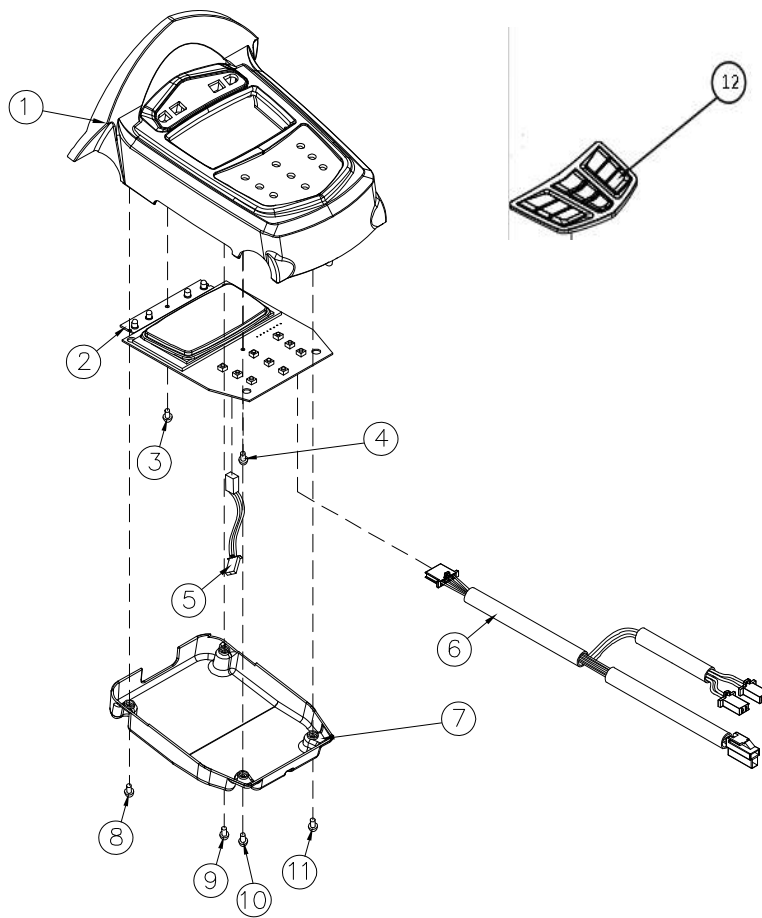
exploded view:
MERCURIUS 4
(2021-05)



exploded view:
MERCURIUS 4
(2021-05)

Fig&Index NO.	Parts No.	Description	QTY.	Remark
15	1904224	SPEED DIAL ASS'Y	1 SET	
15-1		FIX PLATE , SPEED LEVER	1	
15-2	1905662	VR ONLY	1	
15-3	1901881	TORSION SPRING , SPEED LEVER	1	
15-4		NUT	1	
15-5		HOLDER , SPEED LEVER	1	
15-6		LOCKING SCREW , 4x4	2	
15-7	1913512	SPEED LEVER	1	
15-8		BOLT,M4x12	2	
15-9		HOLDER , SPEED LEVER COMP.	1	
15-10		BOLT,M3x4L	2	

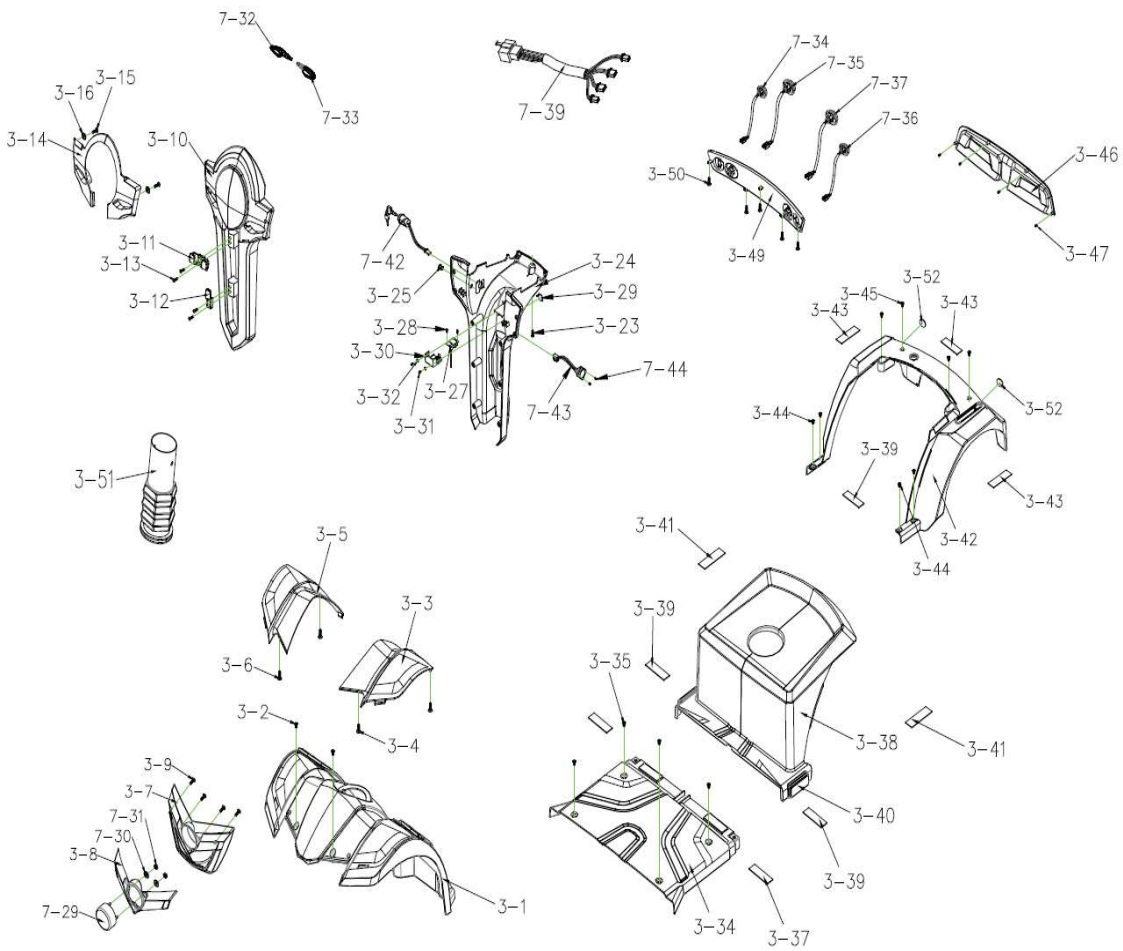
exploded view:
MERCURIUS 4
(2021-05)



exploded view:
MERCURIUS 4
 (2021-05)

Fig&Index NO.	Parts No.	Description	QTY.	Remark
14		CONSOLE COVER ASS'Y	1 SET	
14-1	1912462	CONSOLE UPPER COVER	1	
14-2	1908604	CONTROL PANEL, LCD	1	
14-3,4		BOLT M3x8L	2	
14-5		SPEED DIAL RELAY	1	
14-6		FRONT & HEADLIGHT WIRING ASS'Y	1	
14-7	1910563	CONSOLE LOWER COVER	1	
14-8,9,10,11		BOLT M3x8L	4	
14-12	1912463	PANEL BUTTON, FOR LCD CONSOLE	1	
not depicted	1915655	PANEL COVER BATTERY INDICATION	1	

exploded view:
MERCURIUS 4
(2021-05)



exploded view:
MERCURIUS 4
(2021-05)

Fig&Index NO.	Parts No.	Description	QTY.	Remark
		TILLER SHROUD, FRONT		
3-14	1913901	FRONT TILLER COVER, DECORATION	1	
3-15		BOLT M3.5x15	2	
3-16		WASHER M4	2	
3-10	1913902	FRONT TILLER COVER, CHAMPAGNE	1	
3-10	1914553	FRONT TILLER COVER, BRIGHT RED	1	
3-10	1914555	FRONT TILLER COVER, ORANGE	1	
3-10	1914556	FRONT TILLER COVER, GREEN	1	
3-10	1914557	FRONT TILLER COVER, BLUE	1	
3-10	1915048	FRONT TILLER COVER, GRAY,	1	
3-10	1915772	FRONT TILLER COVER, WHITE		
3-11	1904289	BASKET HOLDER , UPPER	1	
3-12	1904362	BASKET HOLDER , LOWER	1	
3-13		BOLT M6xP1.0x55L	4	
		TILLER SHROUD, REAR & ELECTRONIC		
3-23		BOLT M4x12L	1	
3-24	1913481	TILLER COVER BAKER	1	
3-29	1916397	COVER	1	
3-25		PLUG	1	
3-27	1916397	USB	1	
3-28		BOLT ϕ 2.5X6L	2	
3-30	1917608	USB COVER	1	
3-31		BOLT M3.5x15	2	
3-32		WASHER	2	
7-42		ELECTRONIC, KEY SWITCH.	1	
7-43	1904249	CHARGER SOCKET ASSY	1	
7-44		BOLT 2.5x8L	2	
7-32	1913479	LIGHT, YELLOW, R	1	
7-33	1913480	LIGHT, YELLOW, L	1	
7-29	1913482	HEAD LIGHT	1	
7-39		CABLE , REAR LIGHT	1	

exploded view:
MERCURIUS 4
(2021-05)

Fig&Index NO.	Parts No.	Description	QTY.	Remark
REAR END & ELECTRONIC				
3-49	1913067	DECORATION, REAR SHROUD	1	
3-50		BOLT M4x12L	6	
7-34	1912552	LIGHT, YELLOW, R	1	
7-35	1912555	LIGHT, RED, R	1	
7-36	1912561	LIGHT, YELLOW, L	1	
7-37	1912556	LIGHT, RED, L	1	

REAR SHROUD ASS'Y				
		REAR SHROUD ASS'Y, CHAMPANGE	1 SET	
		REAR SHROUD ASS'Y, BRIGHT RED	1 SET	
3-39		VELCRO STRIP, HOOK 60mm	1	
3-41		VELCRO STRIP, HOOK 80mm	2	
3-42	1912892	REAR SHROUD, CHAMPAGNE	1	
3-42	1914566	REAR SHROUD, BRIGHT RED	1	
3-42	1914567	REAR SHROUD ORANGE		
3-42	1914568	REAR SHROUD GREEN		
3-42	1915049	REAR SHROUD GREY		
3-42	1914568	REAR SHROUD BLEU		
3-42	1915773	REAR SHROUD WHITE		
3-43	1913051	VELCRO STRIP, LOOP 60mm	3	
3-44		TRUSS PHILLIPS SCREW, M6x20L, BLACK ZINC	4	
3-45		PAN PHILLIPS SCREW, M6x20L, STAINLESS STEEL	4	
3-52		REFLECTORS, RED	2	

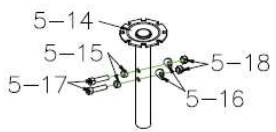
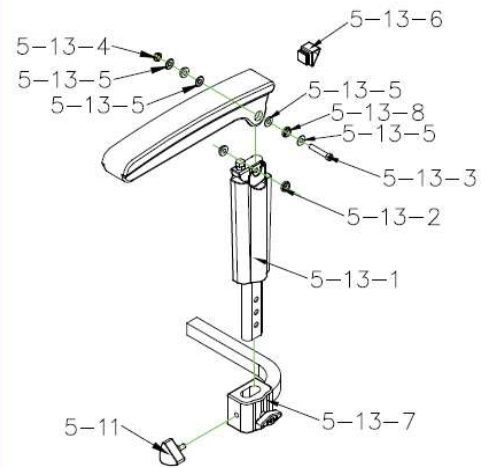
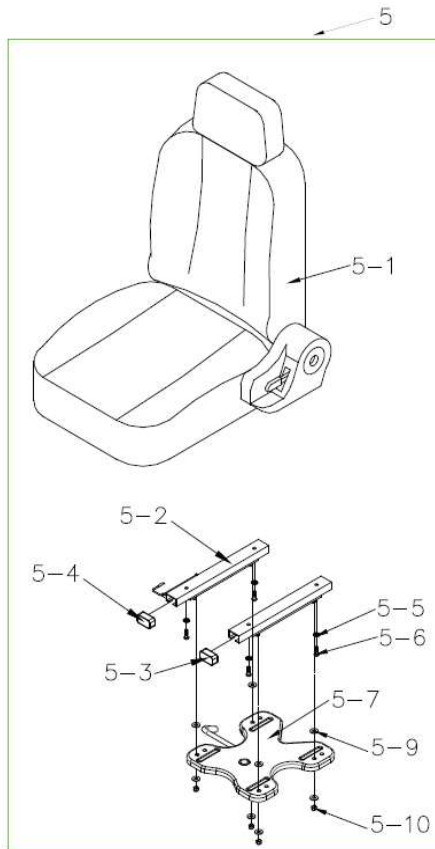
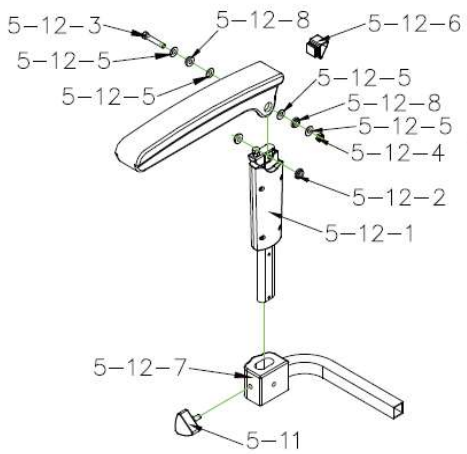
3-46	1913052	REAR COVER	1	1913052
3-47		BOLT M4x10	4	

exploded view:
MERCURIUS 4
(2021-05)

Fig&Index NO.	Parts No.	Description	QTY.	Remark
FOOT & BATTERY SHROUD				
3-38	1913513	MAIN BATTERY COVER, BLACK, W/O PAINTING	1	
3-39		VELCRO STRIP, HOOK 60mm	2	
3-40	1913514	SIDE REFLECTOR , YELLOW	2	
3-34	1913483	FLOOR, BLACK, W/O PAINTING	1	
3-35	1907539	TRUSS PHILLIPS SCREW,M6×20L, BLACK ZINC	4	
nor depicted	1915654	SCREW CAP	4	
3-37		VELCRO STRIP,LOOP 80mm	2	

FRONT SHROUD				
7-29	1913482	HEADLIGHT	1	
3-8	1912801	BUMPER,FRONT, DECORATION, CHAMPAGNE	1	
3-8	1915558	BUMPER,FRONT, DECORATION, BRIGHT RED	1	
3-8	1915138	BUMPER,FRONT, DECORATION, ORANGE	1	
3-8	1914957	BUMPER,FRONT, DECORATION, BLUE	1	
3-8	1915769	BUMPER,FRONT, DECORATION, WHITE		
3-8	1915050	BUMPER,FRONT, DECORATION, GREY	1	
3-8-1	1913018	BUMPER,FRONT, DECORATION, BLACK,PP	1	
7-30		WASHER M6	2	
7-31		Lock Nut,M6, ED	2	
3-7	1913018	BUMPER,FRONT,BLACK,PP	1	
3-9		BLOT M4x12	4	
3-1	1912678	FRONT SHROUD	1	
3-2		TRUSS PHILLIPS SCREW,M6×20L, BLACK ZINC	2	
3-3	1912799	FRONT SHROUD, DECORATION ,L, CHAMPAGNE 71	1	
3-3	1914562	FRONT SHROUD, DECORATION ,L, BRIGHT RED	1	
3-3	1914563	FRONT SHROUD DECORATION L ORANGE		
3-3	1914564	FRONT SHROUD DECORATION L GREEN		
3-3	1915051	FRONT SHROUD DECORATION L GREY		
3-3	19157770	FRONT SHROUD DECORATION L WHITE		
3-3	1914565	FRONT SHROUD DECORATION L BLUE		
3-3-1		FRONT SHROUD, W/O PAINTING	1	
3-4		BOLT M4x12L	2	
3-5	1912679	FRONT SHROUD, DECORATION ,R, CHAMPAGNE 71	1	
3-5	1914558	FRONT SHROUD, DECORATION ,R, BRIGHT RED	1	
3-5	1914559	FRONT SHROUD, DECORATION ,R, ORANGE		
3-5	1914560	FRONT SHROUD, DECORATION ,R, GREEN		
3-5	1915052	FRONT SHROUD, DECORATION ,R, GREY		
3-5	1914561	FRONT SHROUD, DECORATION ,R, BLUE		
	1915771	FRONT SHROUD, DECORATION ,R, WHITE		
3-5-1		FRONT SHROUD, W/O PAINTING	1	
3-6		BOLT M4x12L	2	
3-51	1914650	RUBBER COVER	1	

exploded view:
MERCURIUS 4
(2021-05)



exploded view:
MERCURIUS 4
(2021-05)

Fig&Index NO.	Parts No.	Description	QTY.	Remark
		SEAT & SEAT PLATE		
5	1912698	SEAT ASS'Y , 18"x18"x22" SEAT	1	
5-1	1905879	18"x18"x22" SEAT , with RECLINER	1	
5-2	1907265	SLIDING, 150mm	1	
5-3	1907269	PLUG ,SLIDING-L	1	
5-4	1907270	PLUG ,SLIDING-R	1	
5-5		SPRING WASHER	4	
5-6		BOLT,M8x15	4	
5-7		HOLDER PLATE , SEAT	1	
5-7-1		POSITION KNOB	1	
5-9		WASHER	8	
5-10		LOCK NUT,M8x1.25	4	
no shown		RUBBER COVER, SEAT ROTATION LEVER	1	

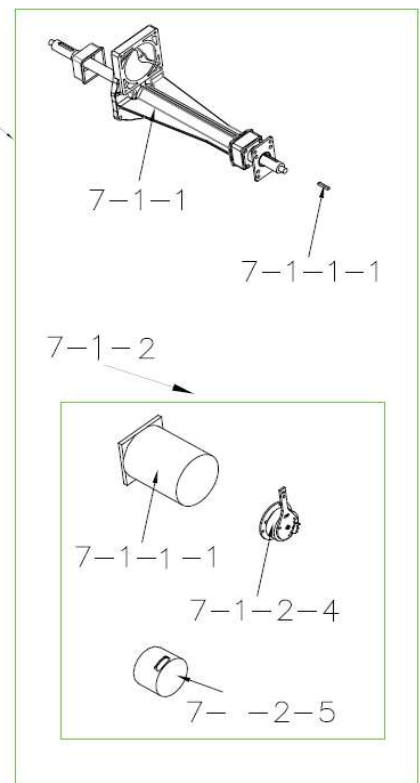
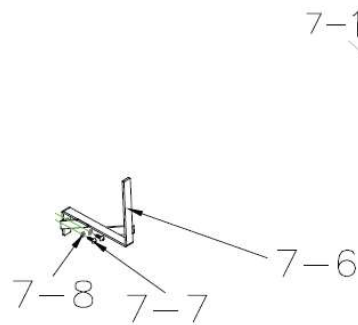
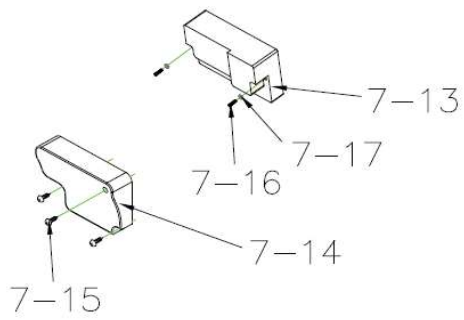
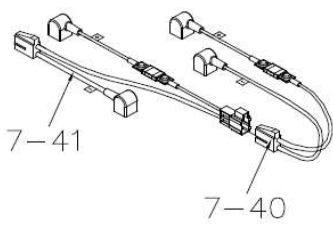
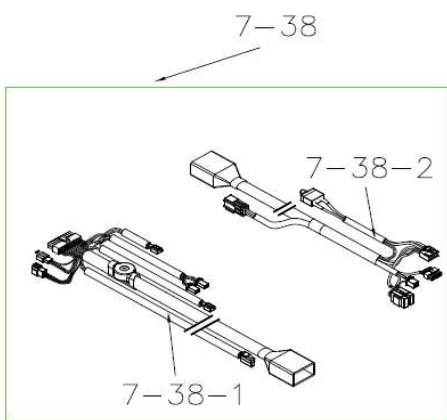
		SEAT POST		
5-14	1915337	SEAT POST	1	
5-15		CURVED WASHER,OD:19mm,ID:6mm, T:3.5T	1	
5-16		CURVED WASHER,M10, BLACK OXIDE,10mm ID ×21mm OD ×2.0mm TH	1	
5-17		HEX SOCKET BOLT,M10×P1.5×55L, GRADE 12.9, DACROMET	1	
5-18		LOCK NUT,M10×P1.5, ZINC PLATED	1	

exploded view:
MERCURIUS 4
(2021-05)

Fig&Index NO.	Parts No.	Description	QTY.	Remark
	1904606	RH ARMREST		
5-12		ARMREST , UPPER	1	
5-12-1	1904414	ARMREST ,LOWER	1	
5-12-2		WASHER , 8mm	2	
5-12-3	1908423	BOLT,M8x50	1	
5-12-4	1908424	NUT M8x1.25	1	
5-12-5		WASHER M8	4	
5-12-6		PLUG	1	
5-12-7	1905936	ARMREST ADJUSTMENT BASE	1	
5-12-8		SPACER , $\varphi 8.1 \times \psi 11 \times 3T$	2	
5-11		TRIANGEL BOLT,M8x25	2	
	1904605	LH ARMREST		
5-13		ARMREST , UPPER	1	
5-13-1	1904969	ARMREST ,LOWER	1	
5-13-2		WASHER , 8mm	2	
5-13-3	1908423	BOLT,M8x50	1	
5-13-4	1908424	NUT M8x1.25	1	
5-13-5		WASHER M8	4	
5-13-6		PLUG	1	
5-13-7	1905936	ARMREST ADJUSTMENT BASE	1	
5-13-8		SPACER , $\varphi 8.1 \times \psi 11 \times 3T$	2	
5-11		TRIANGEL BOLT,M8x25	2	

exploded view:
MERCURIUS 4
(2021-05)

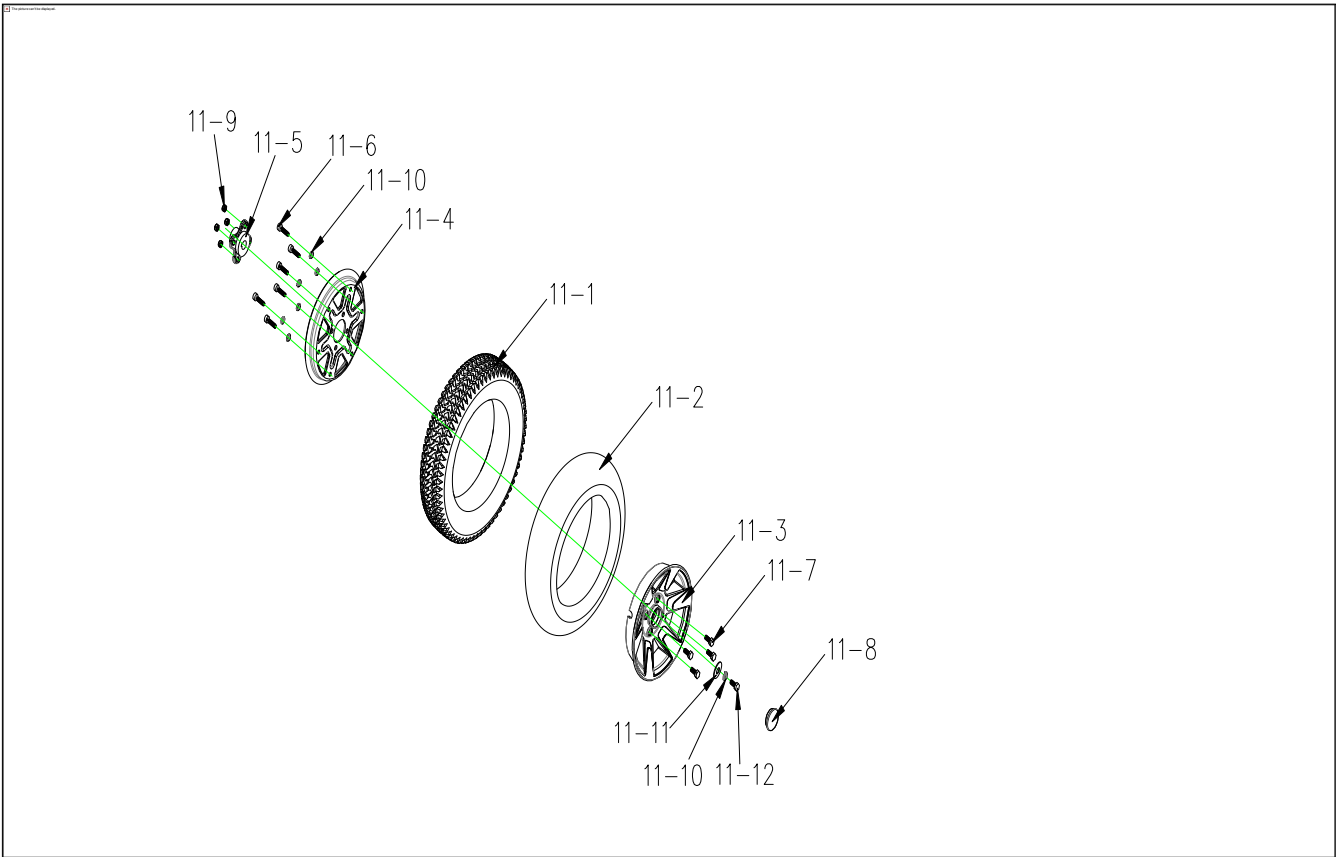
Fig&Index NO.	Parts No.	Description	QTY.	Remark
6		Brake ASSY		
6-1		HOLDER , BRAKE	1	
6-2		SPRING WASHER,M5	4	
6-3		BOLT M5x16	4	
6-4	1905553	COVER BRAKE,REAR	1	
6-5		HEX BOLT M6X1.0X10L	4	
6-6		SPRING WASHER,M6	4	
6-7		HOLDER , BRAKE	1	
6-8	1906303	LEVER,BRAKE	1	
6-9		BOLT , M5X20L	2	
6-10		SPRING WASHER,M5	2	
6-11		WASHER	2	
6-12		LINE,BRAKE	1	
6-13		NUT,BRAKE	1	
6-14		SPRING,BRAKE	1	
6-15		NUT,BRAKE	1	
6-16		CABLE TIE, 180mm	5	



exploded view:
MERCURIUS 4
(2021-05)

Fig&Index NO.	Parts No.	Description	QTY.	Remark
		WIRING		
7-38	1914435	WIRE HARNESS ASS'Y	1	
7-40	1908274	BATTERY CABLE(-)	1	
7-41	1908275	BATTERY CABLE(+)	1	
7-13	1907982	CONTROLLER , Dynamic 160A	1	
7-14		COVER CONTROLLER	1	
7-15		SELF-TAPPING SCREWS M3X8L	3	
7-16		HEXAGON SCREW-BYTE M5X25L	2	
7-17		SPRING WASHER M5	2	
		REAR DRIVE ASS'Y		
7-1	1913484	REAR DRIVE ASS'Y (W/I BOLT /NUT) , 19:1 1000W5500RPM	1	
7-1-1	1913779	TRANSAXLE, 19:1, L650mm	1	
7-1-1-1		PIN,5x5x35L	2	
7-1-2	1914170	MOTOR, 1000W5500RPM	1	
7-1-2-1	1913726	MOTOR ONLY , 1000W/5500RPM	1	
not shown	1913327	CARBON BRUSH , 7X11MM	4	
not shown		CARBON BRUSH, COVER	4	
7-1-2-4	1912765	ELECTRO-MAGNETIC BRAKE ,6N-M	1	
7-1-2-5		COVER , ELECTRO-MAGNETIC BRAKE	1	
7-6	1914251	FREE WHEEL LEVER	1	
7-7		BOLT M5x15	2	
7-8		SPRING WASHER M5	2	

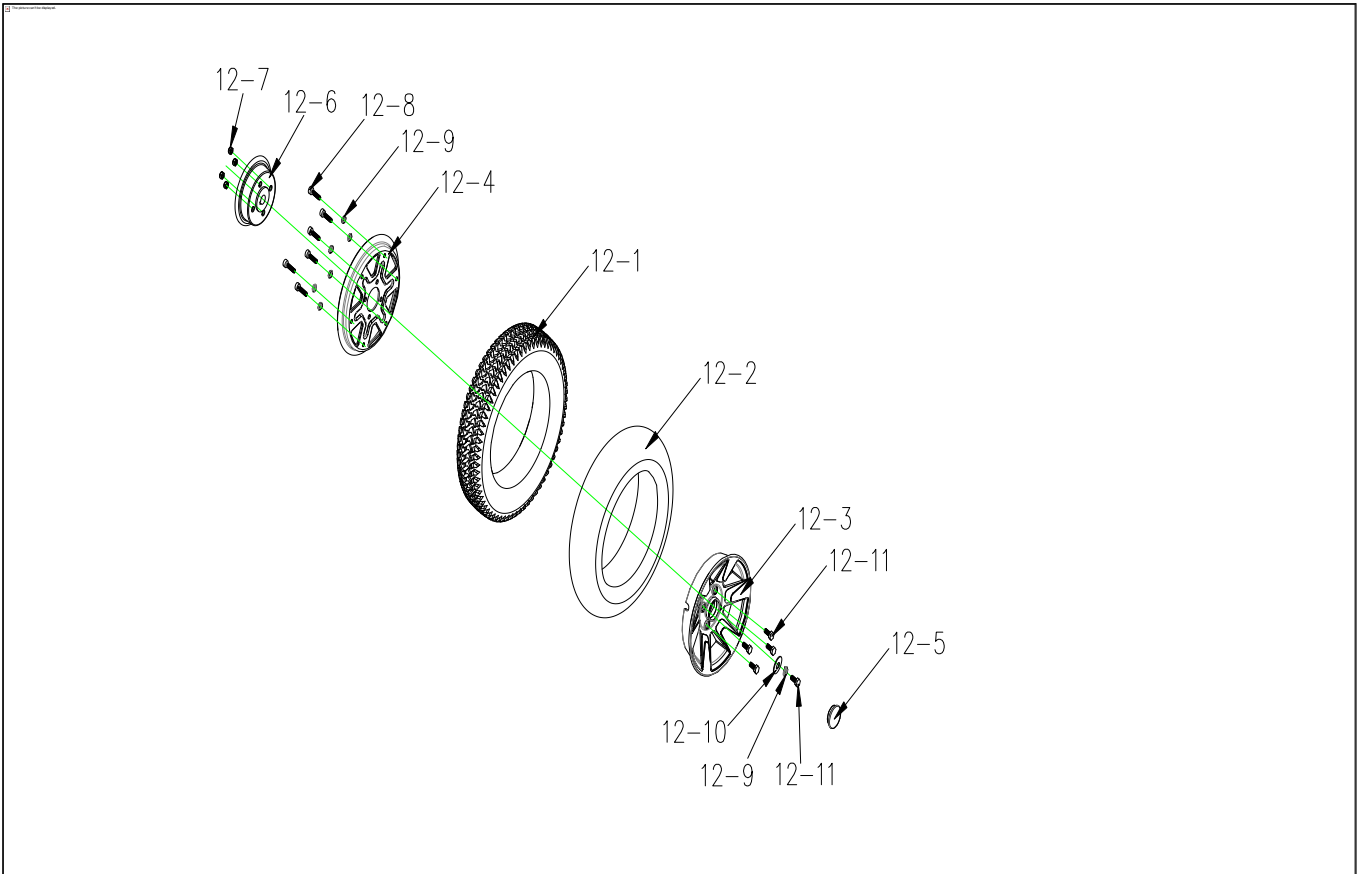
exploded view:
MERCURIUS 4
(2021-05)



exploded view:
MERCURIUS 4
(2021-05)

Fig&Index NO.	Parts No.	Description	QTY.	Remark
11	1908295	REAR TIRE ASS'Y , BLACK , R	1 SET	
11-1	1905303	TIRE , BLACK , 3.0-8C248-16	1	
11-2	1006903	INNER TUBE , 3.0-8	1	
11-3	1908462	WHEEL RIM , ALUNINUM , 8"	1	
11-4	1908461	WHEEL RIM , IRON , 8"	1	
11-5	1905203	AXLE COLLAR,REAR WHEEL	1	
11-6	1909778	BOLT M6x30L	6	
11-7		HEXAGONAL BOLT M8x1.25x25L	4	
11-8	1909516	WHEEL COVER	1	
11-9	1905469	LOCK NUT , M8x1.25	4	
11-10	1907794	SPRING WASHER , 5/16	1	
11-11		WASHER , 5/16	2	
11-12		HEXAGONAL BOLT M8x1.25x20L	2	

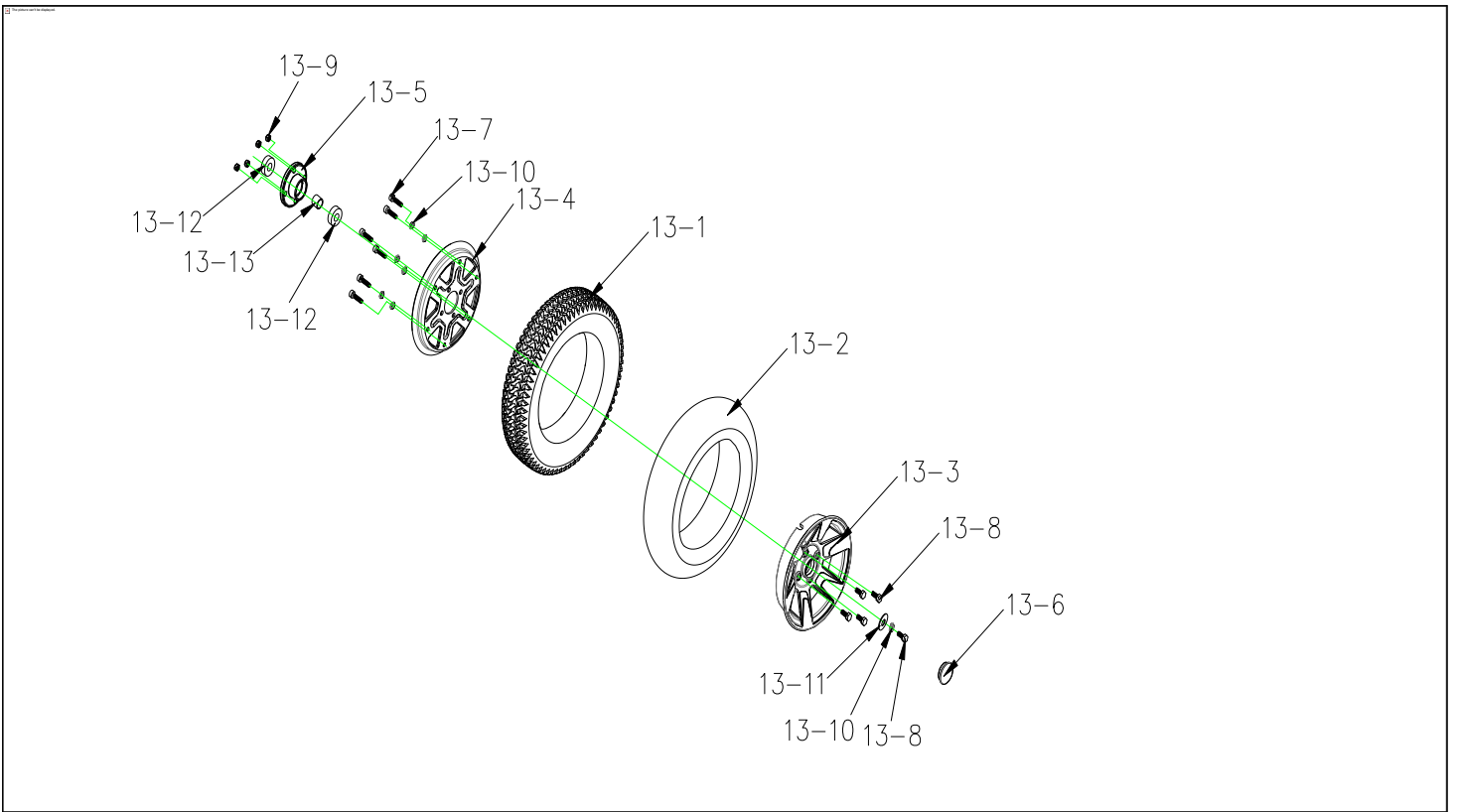
exploded view:
MERCURIUS 4
(2021-05)



exploded view:
MERCURIUS 4
(2021-05)

Fig&Index NO.	Parts No.	Description	QTY.	Remark
12	1908296	REAR TIRE ASS'Y,BLACK, L	1 SET	
12-1	1905403	TIRE , BLACK , 3.0-8C248-16	1	
12-2	1006903	INNER TUBE , 3.0-8	1	
12-3	1908462	WHEEL RIM , ALUNINUM , 8"	1	
12-4	1908461	WHEEL RIM , IRON , 8"	1	
12-5	1909516	WHEEL COVER	1	
12-6	1905557	WHEEL RIM , STEEL	1	
12-7	1905469	LOCK NUT , M8x1.25	4	
12-8	1909778	BOLT M6x30L	6	
12-9	1907794	SPRING WASHER , 5/16	1	
12-10		WASHER , 5/16	2	
12-11		BOLT , M8x20L	5	

exploded view:
MERCURIUS 4
(2021-05)



exploded view:
MERCURIUS 4
(2021-05)

Fig&Index NO.	Parts No.	Description	QTY.	Remark
13	1908294	FRONT TIRE ASS'Y 3.0-8C248 BLACK	1 SET	
13-1	1905403	TIRE , 3.0-8C248 BLACK	1	
13-2	1006903	INNER TUBE 3.0-8	1	
13-3	1908462	WHEEL RIM , ALUNINUM , 8"	1	
13-4	1908461	WHEEL RIM , IRON , 8"	1	
13-5	1905467	AXLE COLLAR,FRONT WHEEL	1	
13-6	1909516	WHEEL COVER	1	
13-7	1909778	BOLT M6x30L	6	
13-8		HEXAGONAL BOLT M8x1.25x25L	4	
13-9	1905469	LOCK NUT,M8x1.25	4	
13-10	1907794	SPRING WASHER , 5/16	1	
13-11		WASHER M8	1	
13-12		BEARING , 6202ZZ	2	
13-13	1912828	SPACER	1	

exploded view:
MERCURIUS 4
(2021-05)

Fig&Index NO.	Parts No.	Description	QTY.	Remark
8		BLINKER AND LABEL		
8-1		MIRROR COMP W/O DECORATION	1	
8-1-1	1904228	MIRROR , RH	1	
8-1-2	1904227	MIRROR , LH	1	
8-1-3		NUT M10xP1.25	2	
8-2		BATTERY 12V50AH	2	
8-2		BATTERY 12V75AH	2	
8-9		VELCRO STRIP , BATTERY	2	
8-10		VELCRO STRIP	2	
8-3		CE LABEL	1	
8-4		LABEL , EMI	1	
8-5		LABEL , FREEWHEEL-ENGAGED	1	
8-6		LABEL, BATTERY DIAGRAM	1	
8-7		WARNING LABEL, TILLER	1	
8-8		WARNING LABEL, CHARGER	1	
8-11		LABEL , USB WARNING	1	

exploded view:
MERCURIUS 4
(2021-05)

Fig&Index NO.	Parts No.	Description	QTY.	Remark
		ACCESSORIES		
			1	
not depicted	1911149	CHARGER	1	
		OWNER'S MANUAL	1	
not depicted	1914967	CARTON, with decal,	1	
not depicted	1904795	BASKET	1	