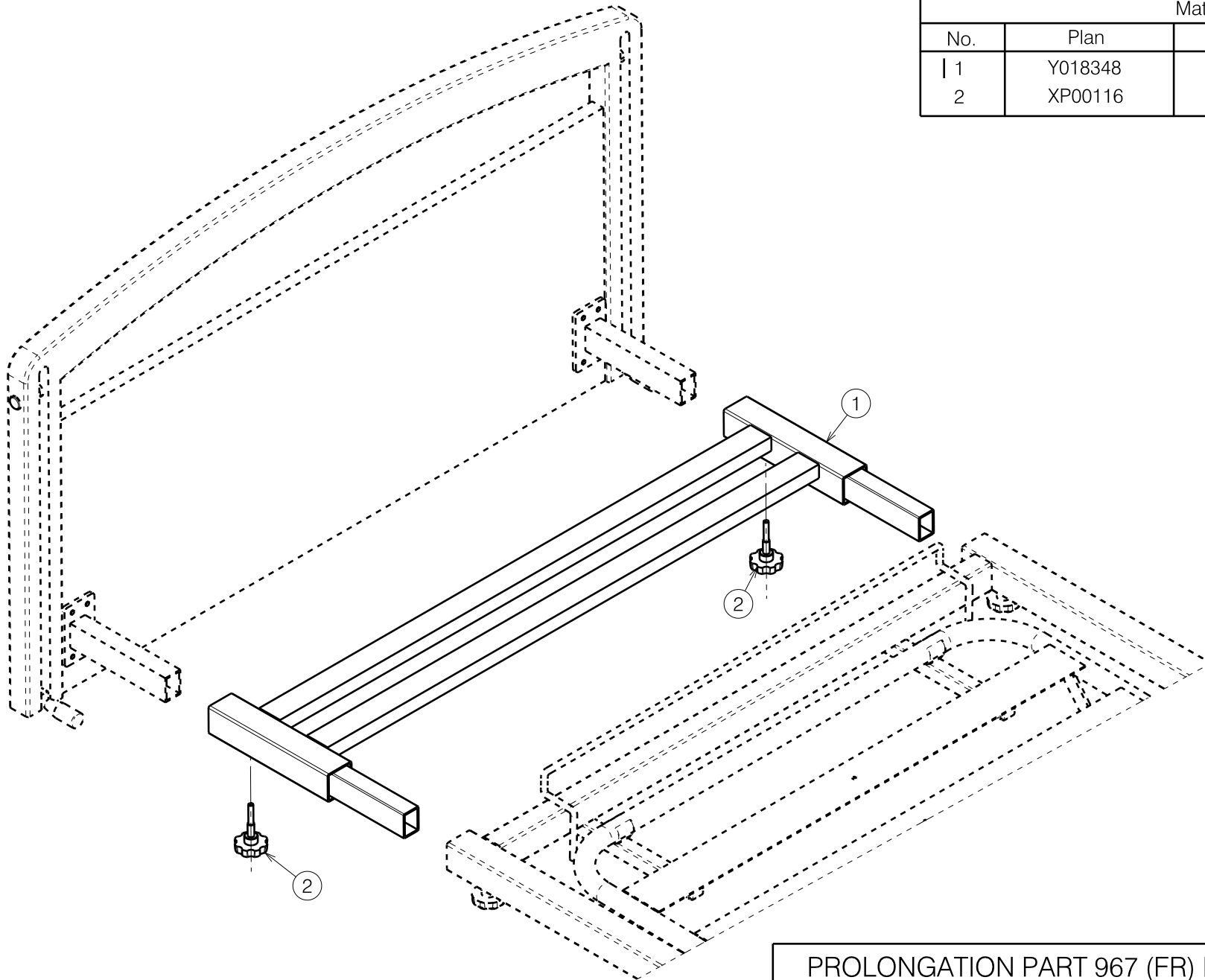



Material			
No.	Plan	Article	Quantity
1	Y018348	17676..	1
2	XP00116	2990074	2



E000797 / B

PROLONGATION PART 967 (FR) PRACTIC VERLENGSTUK 967 (FR) PRACTIC				Plan No. E000797 / B
Scale: 3:20	Drafted	Verified	Confirmed	
Date	08/12/2011	21/03/2016	21/03/2016	
Initials	SV	TT	PJ	