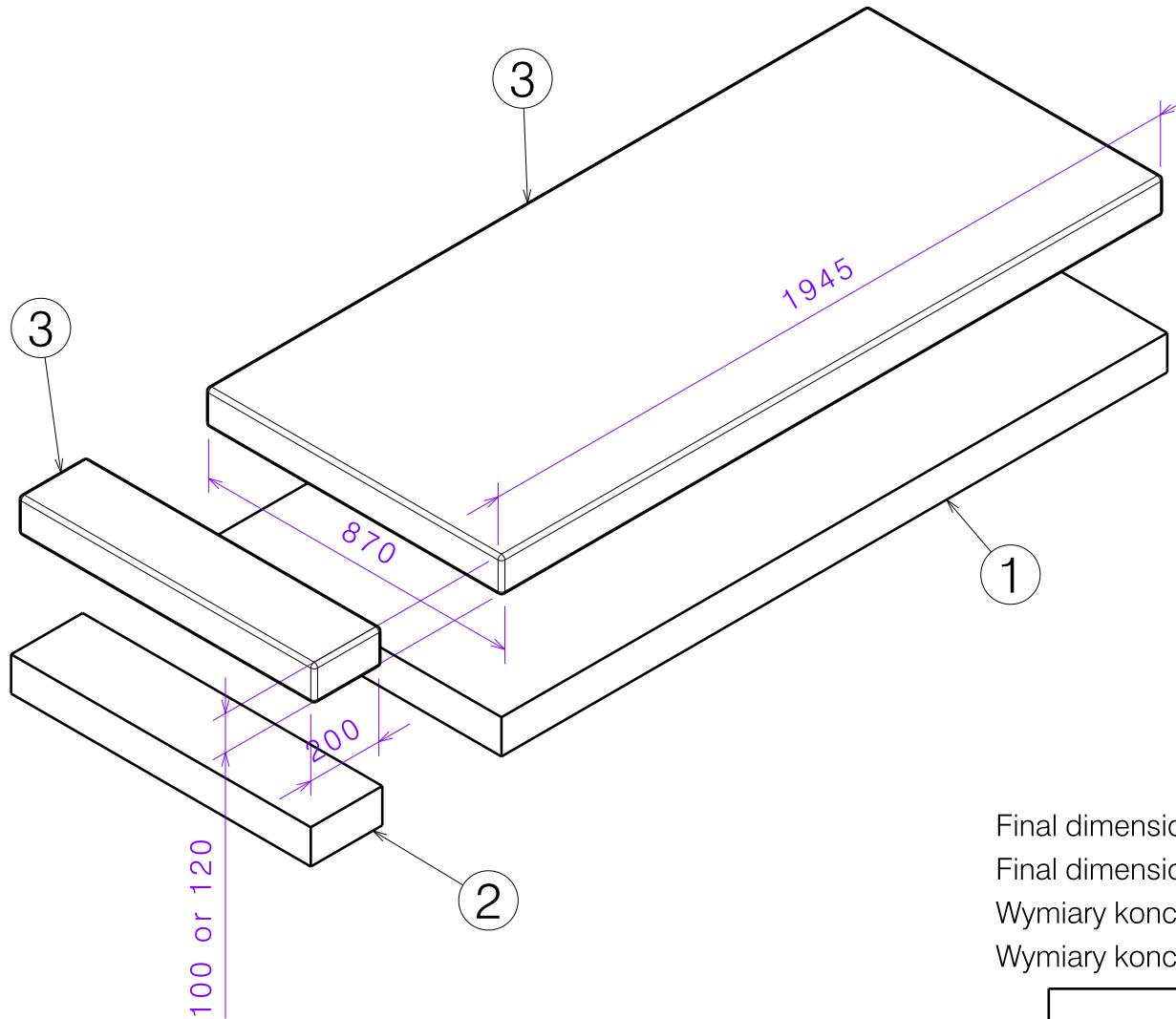


Material			
No.	Plan	Article	Quantity
1	XP02859 (High 100)	2994705	1
	XP02860 (High 120)	2994706	1
2	XP02838 (High 100)	2994647	1
	XP02320 (High 120)	2994221	1
3	SANMED C-460/7000 Grey (Vinterno)	2993898	5,1m
	SANMED C-460/5202 Blue (Vermeiren)	2994651	5,1m
4*	Slide fastener (Vinterno)	2994224	5,1m
	Slide fastener (Vermeiren)	1995604	5,1m
5*	Slide fastener head (Vinterno)	2994225	2
	Slide fastener head (Vermeiren)	1995605	2
6*	Sewing thread (Vinterno)	W200319	20m
	Sewing thread (Vermeiren)	W200016	20m



Final dimensions of mattress: 1945x870x100mm or 1945x870x120mm  
 Final dimensions of mattress extra: 200x870x100mm or 200x870x120mm /  
 Wymiary końcowe materaca: 1945x870x100mm lub 1945x870x120mm  
 Wymiary końcowe dostawki: 200x870x100mm lub 200x870x120mm

EP00476 / A

\* not depicted / nie ujęto na rysunku

MATTRESS FOR PRATIC 90				Plan No.
				EP00476 / A
Scale: 1:12	Drafted	Verified	Confirmed	
Date	29/11/2019	04/02/2021	04/02/2021	
Initials	AZ	EB	TK	