

Sheet 1/2

E000688 / K

V-SERIES XL L34-L34I / L35 COMFORT				Plan No.
				E000688 / K
Scale: 1:6	Drafted	Verified	Confirmed	
Date	09/02/2011	11/05/2021	11/05/2021	
Initials	SD	SD	PJ	

Material			
No.	Plan	Article	Quantity
1	---	1906934 (53)	Not avail.
	---	1906935 (56)	Not avail.
	---	1906936 (60)	Not avail.
2	---	1906943 (53)	1
	---	1906944 (56)	Not avail.
	---	1906945 (60)	Not avail.
3A	X004822	1744732 (L)	2
3B	Y021697	2018954 (L)	1
4A	X004823	1744832 (R)	2
4B	Y021698	2019054 (R)	1
5	X004820	1744532 (Φ22)	4
	X004832	1744932 (Φ25,4)	4
6	X004821	1744632 (Φ22)	4
	X004833	1745032 (Φ25,4)	4
7	X004861	1906454	2
8	XC00695	3992114	2
9	XC00696	3992113	2
10	X001052	G066600	2
11	M6x25	1006998	2
12	M6x25 DIN912	1001494	12
13A	M6x16 DIN7991	1994752	4
13B	M6x16	1008459	4
13*	M6x10 DIN7991	1904683 (SD 44)	4
14	Φ3,9x16 DIN7982	1005767	4
16	M6x20	1009932	2
17	M6 DIN7349	1003321	8
18	Y021630	2013104	4
19**	M6 DIN127B	1004414	4

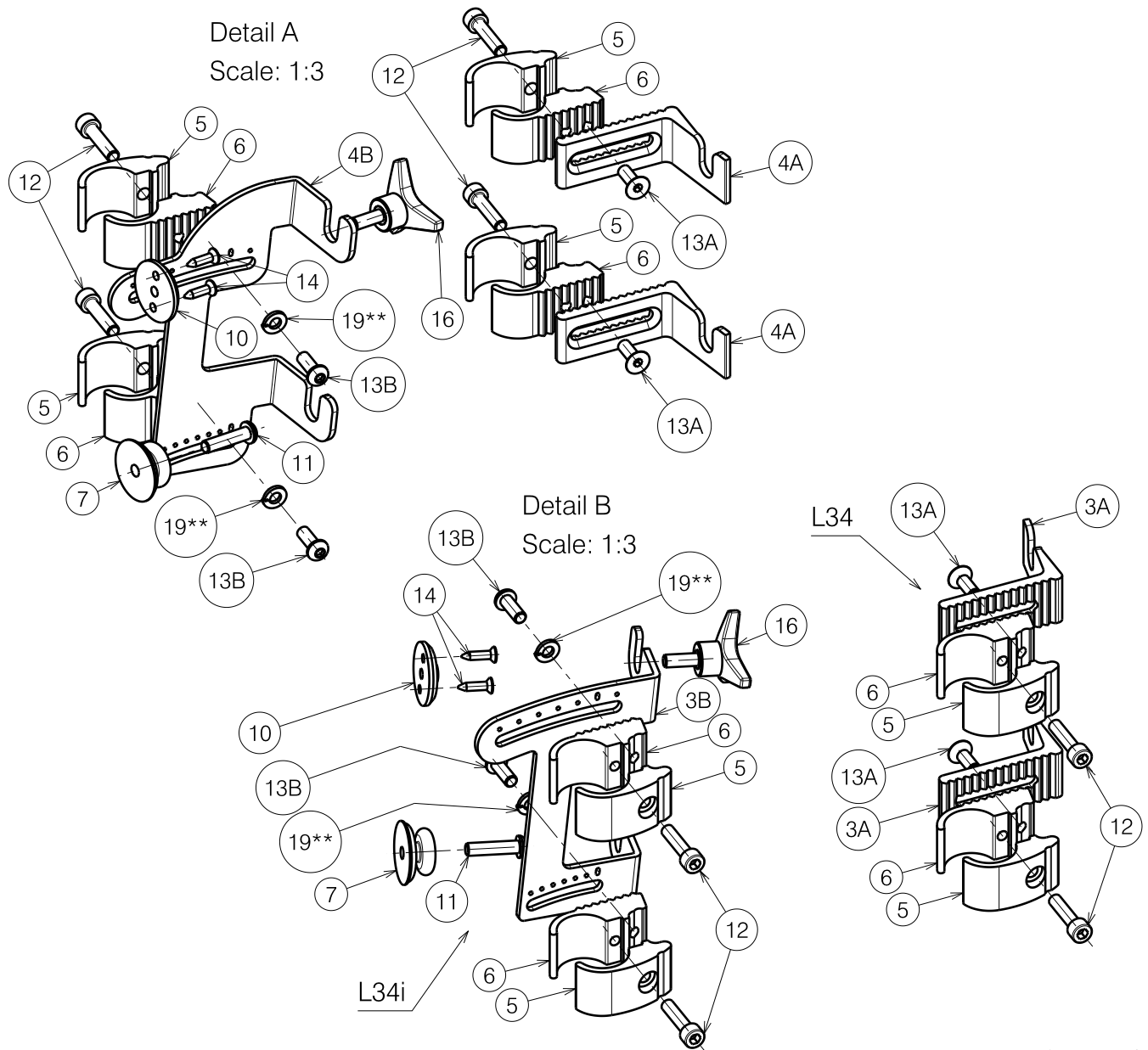
Φ22: V200 - V300

Φ25.4: V100 - V100D - V200D- V300D


* = Not Depicted

** = Angle adjustable hooks

E000688 / K



Sheet 2/2

V-SERIES XL L34-L34I / L35 COMFORT				Plan No.
V-REEKS XL L34-L34I / L35 COMFORT				E000688 / K
Scale: 1:6	Drafted	Verified	Confirmed	
Date	09/02/2011	11/05/2021	11/05/2021	
Initials	SD	SD	PJ	