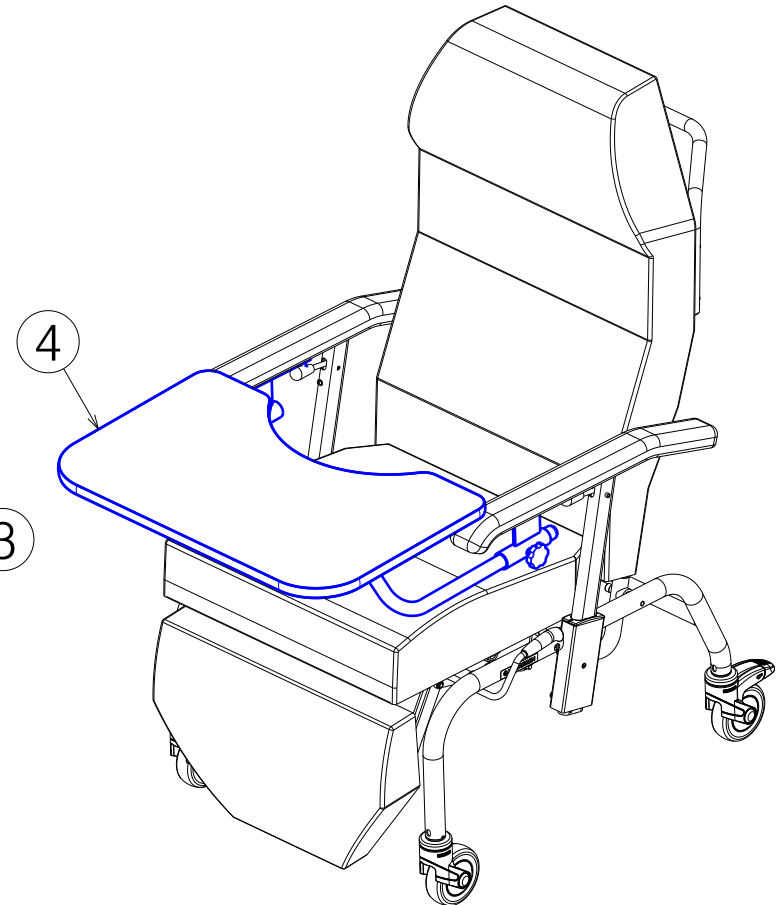
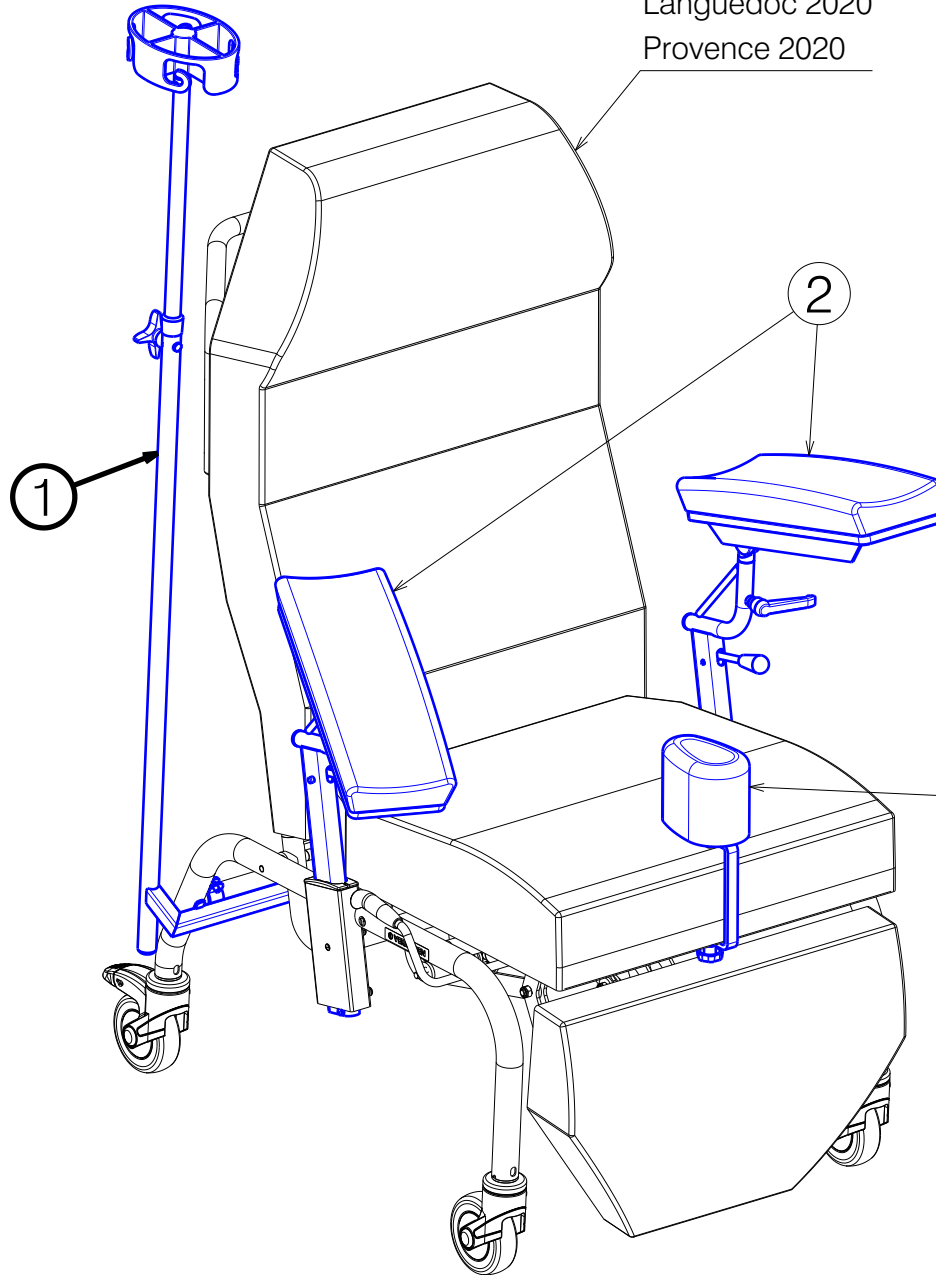


Normandie 2020
 Languedoc 2020
 Provence 2020



Material			
No.	Plan	Article	Quantity
1	EP00634 (B52)	2995373	1
2	EP00631 (Donor Armrest)	2995343	1
3	EP00632 (B22)	2995347	1
4	EP00635 (B12)	2995351	1

EP00633 / D

OPTIONS / NORMANDIE 2020 / LANGUEDOC 2020 / PROVENCE 2020				Plan No. EP00633 / D
Scale: 1:9	Drafted	Verified	Confirmed	
Date	29/01/2022	19/04/2022	19/04/2022	
Initials	AZ	PM	AZ	