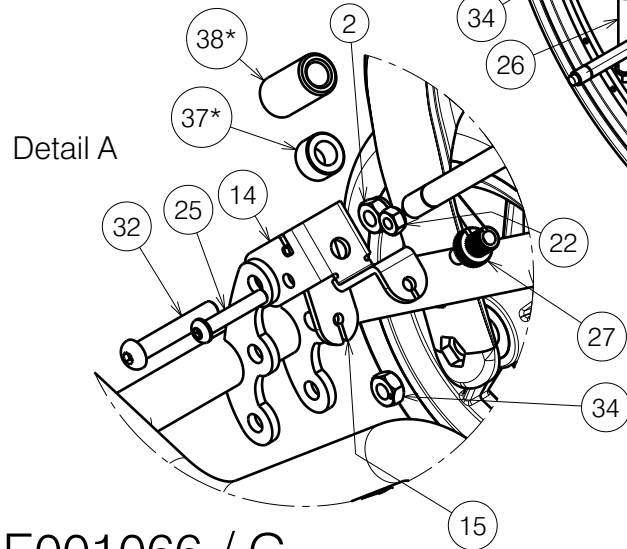
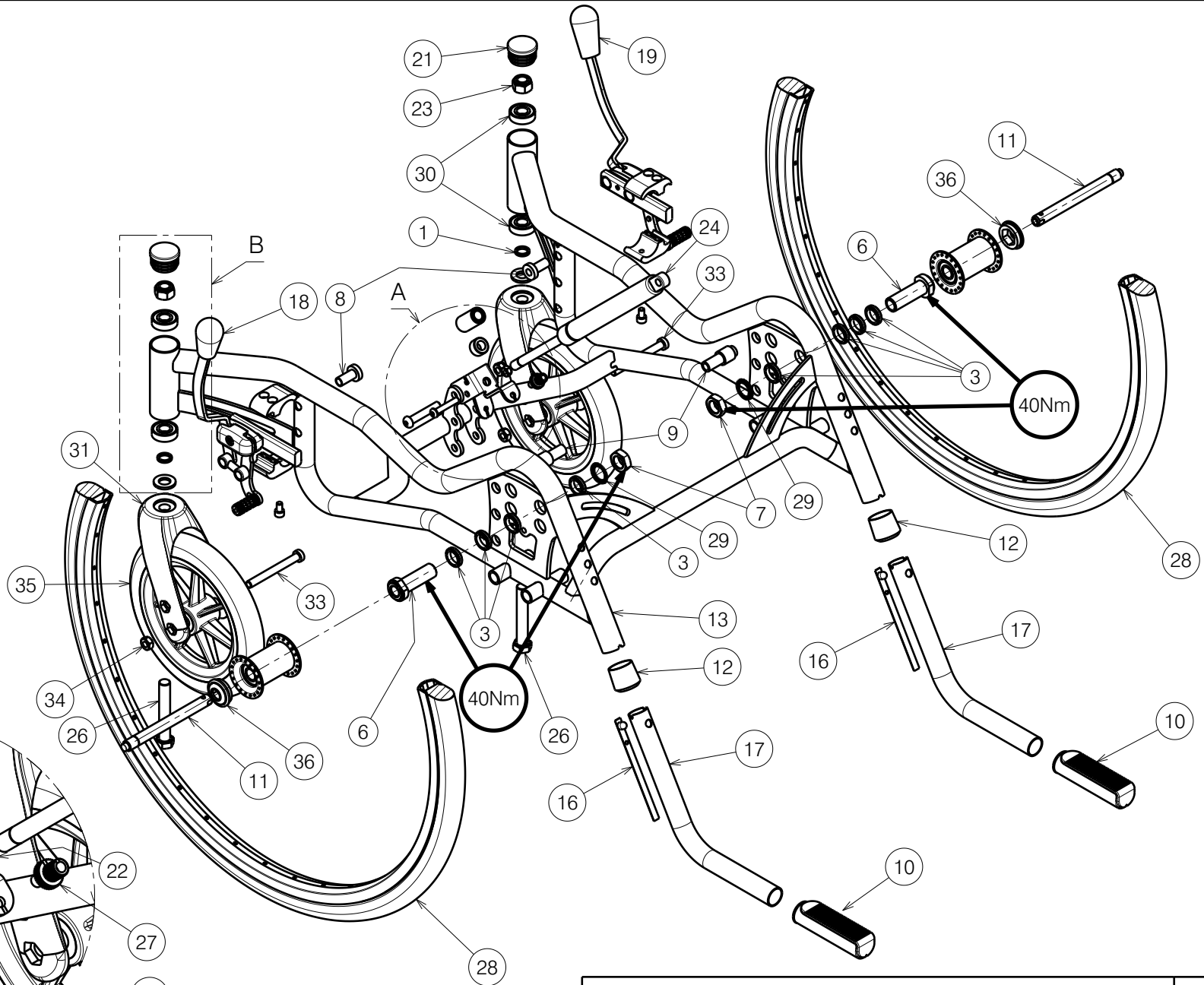


Detail B




Detail A



E001066 / G

2993448

<b>INOVYS 2 LOWER FRAME</b>				Plan No. E001066 / G
Page 1/2				
Scale: 4:25	Drafted	Verified	Confirmed	
Date	08/03/2017	24/11/2023	24/11/2023	
Initials	SD	PM	AS	

Material			
No.	Plan	Article	Quantity
1	X000188	G078500	2
2	X001016	1001682	1
3	X001380	1009726	8
6	---	1905244	2
7	X002437	1992699	2
8	X003451	1658800	2
9	X003452	1658900	2
10	X003596	1998528	2
11	X005720	1905243	2
12	Y004353	F000411	2
13	Y010736	16386.. (40)	1
	Y011927	16596.. (45)	1
	Y011934	16597.. (50)	1
	YP06450	27342.. (35)	1
14	Y011640	1655100	1
15	Y011652	1655200	1
16	Y016422	1000181	2
17	Y017901	1758901	2
18	Left	1910125	1
19	Right	1910126	1
20	M12 DIN125A	1001561	2
21	D32	1001610	2
22	M6 DIN985	1001680	1
23	M12 DIN98	1001684	2
24	400N	1005602	1
25	M6x35 ISO7380	1006057	1
26	M12x75 DIN931	1009991	2
27	M7	1900008	1
28	24 inch	1914602	2
29	M16 DIN17222	1911653	2
30	---	1992559	4
31	---	1992599	2
32	M8x45 ISO7380	1994473	1
33	M8x76 DIN7984	1998993	2
34	M8	1998994	2
35	200x30 PVC	1914608	2
36	X003800	1900347	2

Material			
No.	Plan	Article	Quantity
37*	X004032	1901832	1
38*	X002565	1993963	1

37\* - use for frame width 35 with seat height 42

38\* - use for frame width 35 with seat height 39

E001066 / G

2993448

\*\* Note: other front and rear wheels available

<b>INOVYS 2 LOWER FRAME</b>				Plan No.
Page 2/2				E001066 / G
Scale: 4:25	Drafted	Verified	Confirmed	
Date	08/03/2017	24/11/2023	24/11/2023	
Initials	SD	PM	AS	