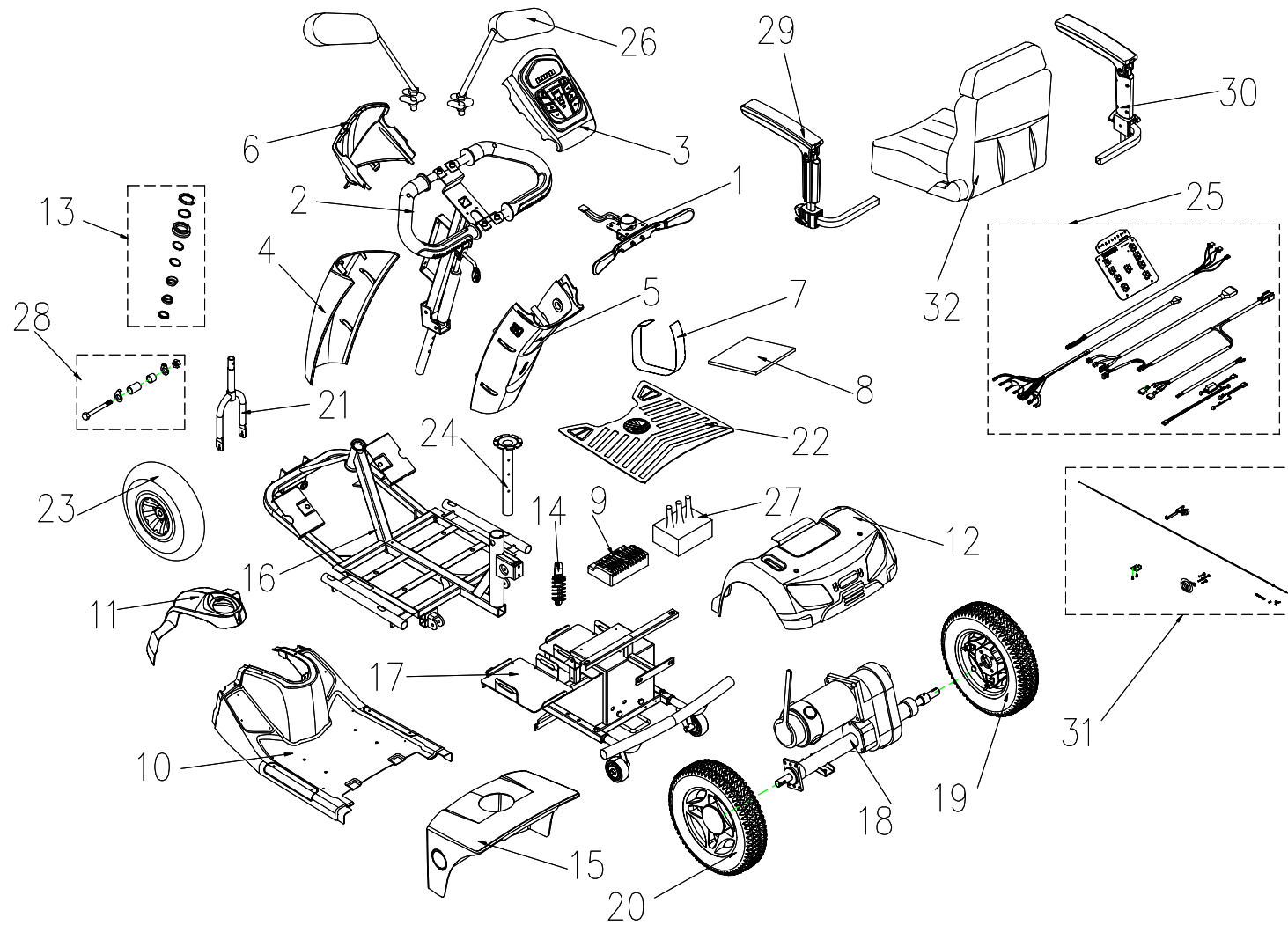
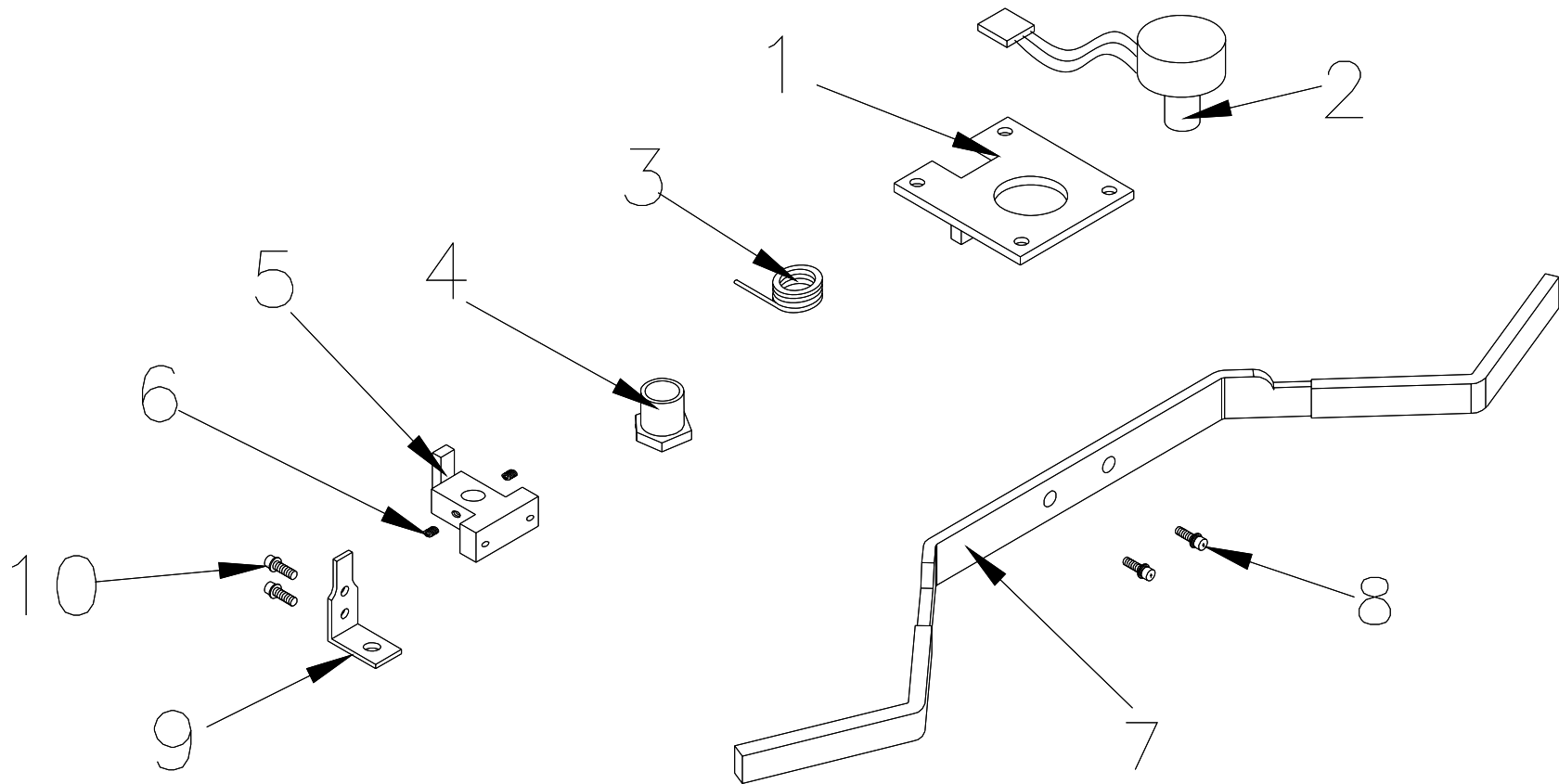


CARPO3



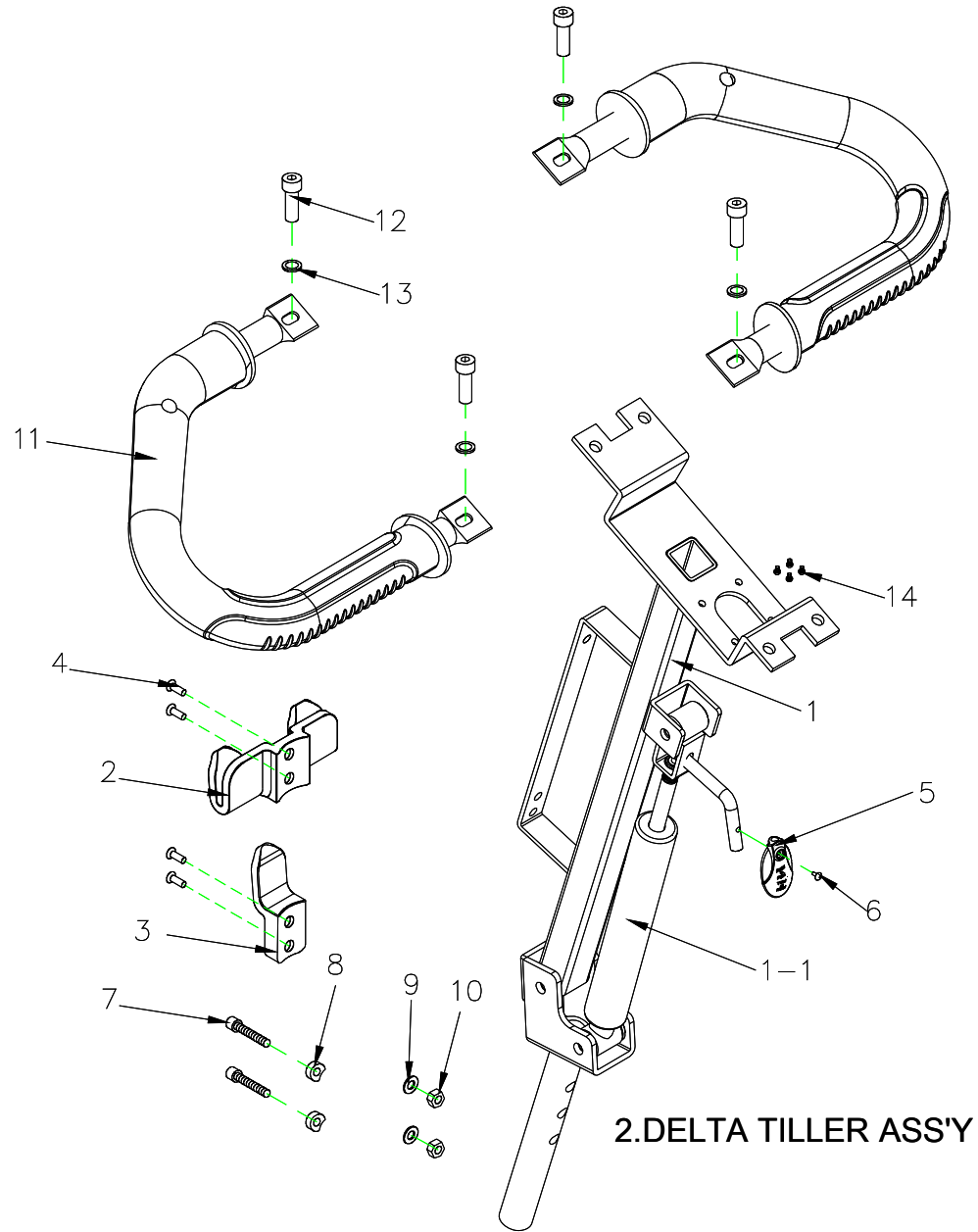
Fig&Index NO.	Parts No.	Parts Name	QTY.
		English	
1	S12-051-00100	SPEED DIAL ASS'Y	1SET
2	S02-052-00100	T TYPE HANDLE BAR ASS'Y	1SET
3	S08-051-00161	COVER , HANDLE BAR ASS'Y , UPPER , BE 01	1SET
4	C08-051-00571	FRONT COVER , HAND BAR, SILVER 71	1
4	C08-051-00591	FRONT COVER , HAND BAR, WHITE 91	1
5	S08-052-00271	REAR COVER ASS'Y , HAND BAR , SILVER 71	1SET
5	S08-052-00291	REAR COVER ASS'Y , HAND BAR , WHITE 91	1SET
6	S08-051-00271	COVER ASS'Y , HANDLE BAR , LOWER , SILVER 71	1SET
6	S08-051-00291	COVER ASS'Y , HANDLE BAR , LOWER , WHITE 91	1SET
7	C31-029-00101	VELCRO STRIP , BATTERY	1
8	C25-005-00100	RUBBER PAD , BATTERY	1
9	C10-029-00300	CONTROLLER , DYNAMIC 160A	1
10	S08-052-00171	SHROUD ASS'Y , SILVER 71	1SET
10	S08-052-00191	SHROUD ASS'Y , WHITE 91	1SET
11	S08-052-00371	FRONT SHROUD ASS'Y , SILVER 71	1SET
11	S08-052-00391	FRONT SHROUD ASS'Y , WHITE 91	1SET
12	S08-051-00371	REAR SHROUD ASS'Y , SILVER 71, W/O LABEL	1SET
12	S08-051-00391	REAR SHROUD ASS'Y , WHITE 91, W/O LABEL	1SET
13	S02-001-00601	REGULAR BEARING BALL SET	1SET
14	C04-022-00501	ABSORBER , 750LBS	1
15	S08-051-00461	COVER ASS'Y , BATTERY , BLACK 61 , W/O LABEL	1SET
16	S01-052-00100	FRAME,FRONT SECTION ASS'Y	1SET
17	S01-051-00100	FRAME , REAR SECTION ASS'Y	1SET
18	S09-051-00100	REAR DRIVE ASS'Y (WITH BOLT / NUT) ,750W4200RPM14 : 1	1SET
19	S06-051-00100	REAR TIRE ASS'Y , BLACK , R	1SET

20	S06-051-00200	REAR TIRE ASS'Y,BLACK, L	1SET
21	C03-052-00100	FRONT FORK ASS'Y	1SET
22	C21-052-00100	CARPET	1
23	S05-051-00100	FRONT TIRE ASS'Y 400-4 C154-1 BLACK	1SET
24	C07-005-00900	SEAT POST	1
25	S18-051-00100	WIRE HARNESS ASS'Y	1SET
26	C27-001-10100	MIRROR COMP.	1SET
27	C26-005-00800	COVER CONTROLER	1
28	S05-042-00100	HEX FLANGE BOLT , M10xP1.5x160L	1SET
29	S07-044-00100	ARMREST , ADJUSTABLE , L , W/I COVER	1
30	S07-044-00700	ARMREST , ADJUSTABLE , R , W/I COVER	1
31	S35-051-00100	BRAKE ASS'Y	1SET
32	S07-051-00100	SEAT ASS'Y	1SET



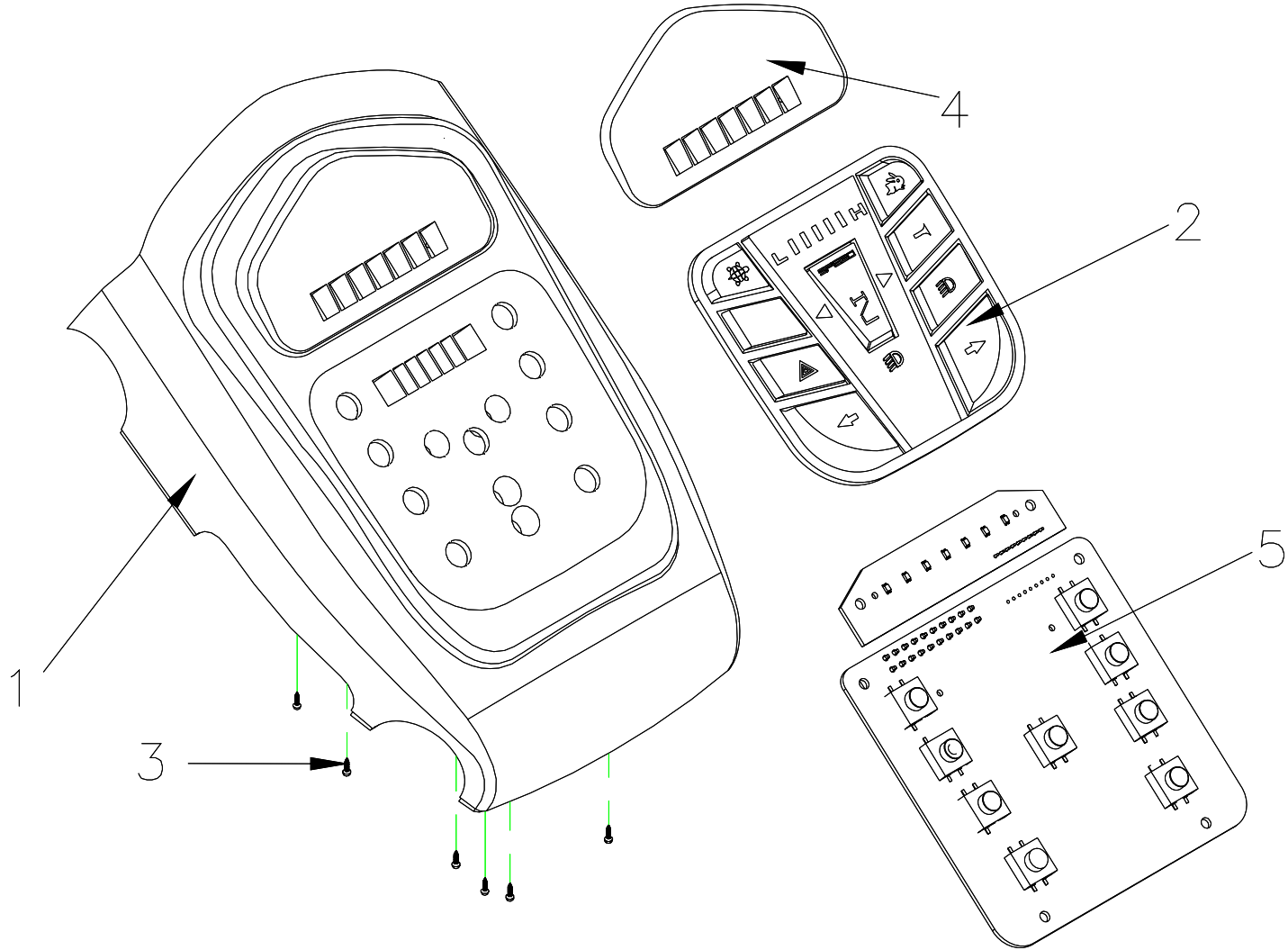
1.SPEED DIAL ASS'Y

Fig&Index NO.	Parts No.	Parts Name	QTY.
		English	
1	S12-051-00100	SPEED DIAL ASS'Y	1SET
1-1	C12-001-00402	FIX PLATE , SPEED LEVER	1
1-2	C12-001-01401	VR ONLY	1
1-3	C12-001-00300	TORSION SPRING , SPEED LEVER	1
1-4	C12-001-00101	NUT	1
1-5	C12-009-00700	HOLDER , SPEED LEVER	1
1-6	9358040040753	LOCKING SCREW , 4x4	2
1-7	C12-051-00100	SPEED LEVER	1
1-8	9004040120704	BOLT,M4x12	2
1-9	C12-001-01500	HOLDER , SPEED LEVER COMP.	1
1-10	9004030040504	BOLT,M3x4L	2



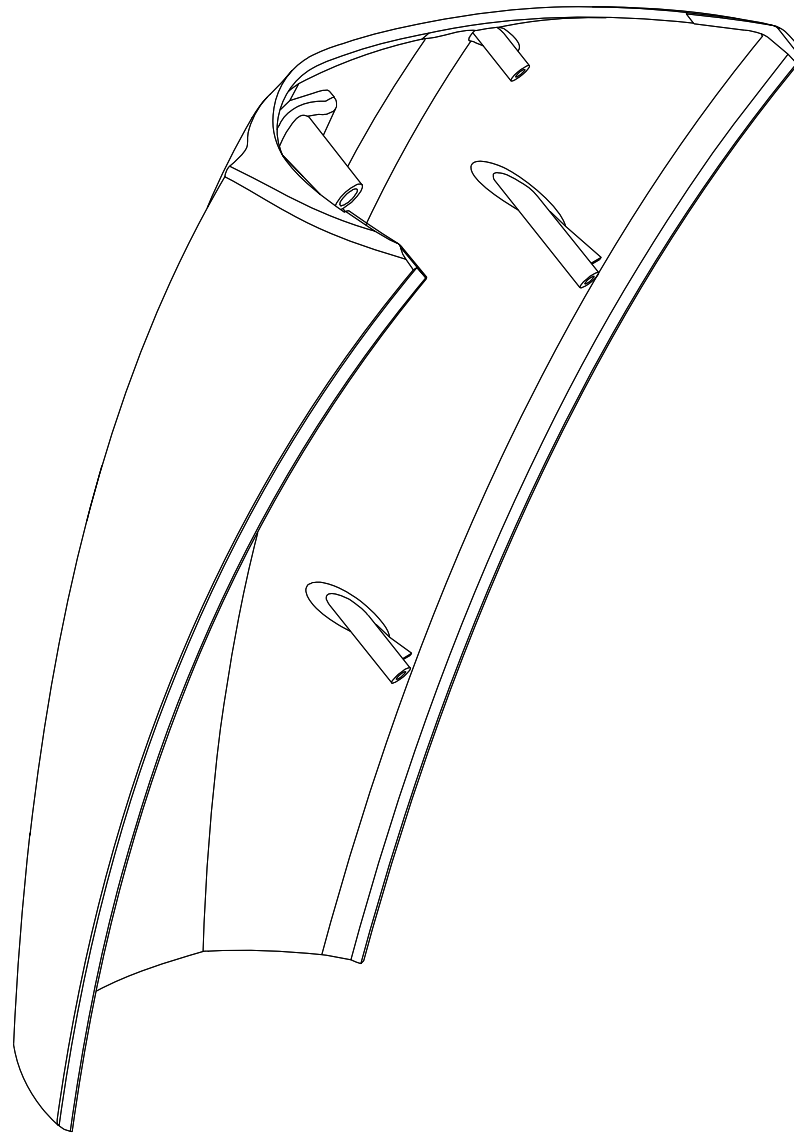
2.DELTA TILLER ASS'Y

Fig&Index NO.	Parts No.	Parts Name	QTY.
		English	
2	S02-052-00100	T TYPE HANDLE BAR ASS'Y	1SET
2-1	C02-052-00200	T TYPE HANDLE BAR	1
2-1-1	C02-029-00200	OIL PRESSURE STICK , 45KG	1
2-2	C26-009-01601	BASKET HOLDER,PAINTED,UPPER	1
2-3	C26-009-01700	BASKET HOLDER,PAINTED,LOWER	1
2-4	9005060351003	BOLT,M6x35L	4
2-5	C26-036-00100	SHAFT	1
2-6	9005040080702	CR ROUND HD SCREW , M4x8L	1
2-7	9035080401251	HEX FLANGE BOLT,M8x40L	1
2-8	9367170800300	WASHER	1
2-9	935080150193	WASHER,M8	1
2-10	9201080801252	LUCK NUT,M8x1.25	1
2-11	C02-047-00101	DELTA BAR SET W/I PU FOAMED	2
2-12	9021060201001	BOLT M6x20L	4
2-13	9214070100193	WASHER OD19xID7x1mm	4
2-14	9004030080504	BOLT,M3x8L	4



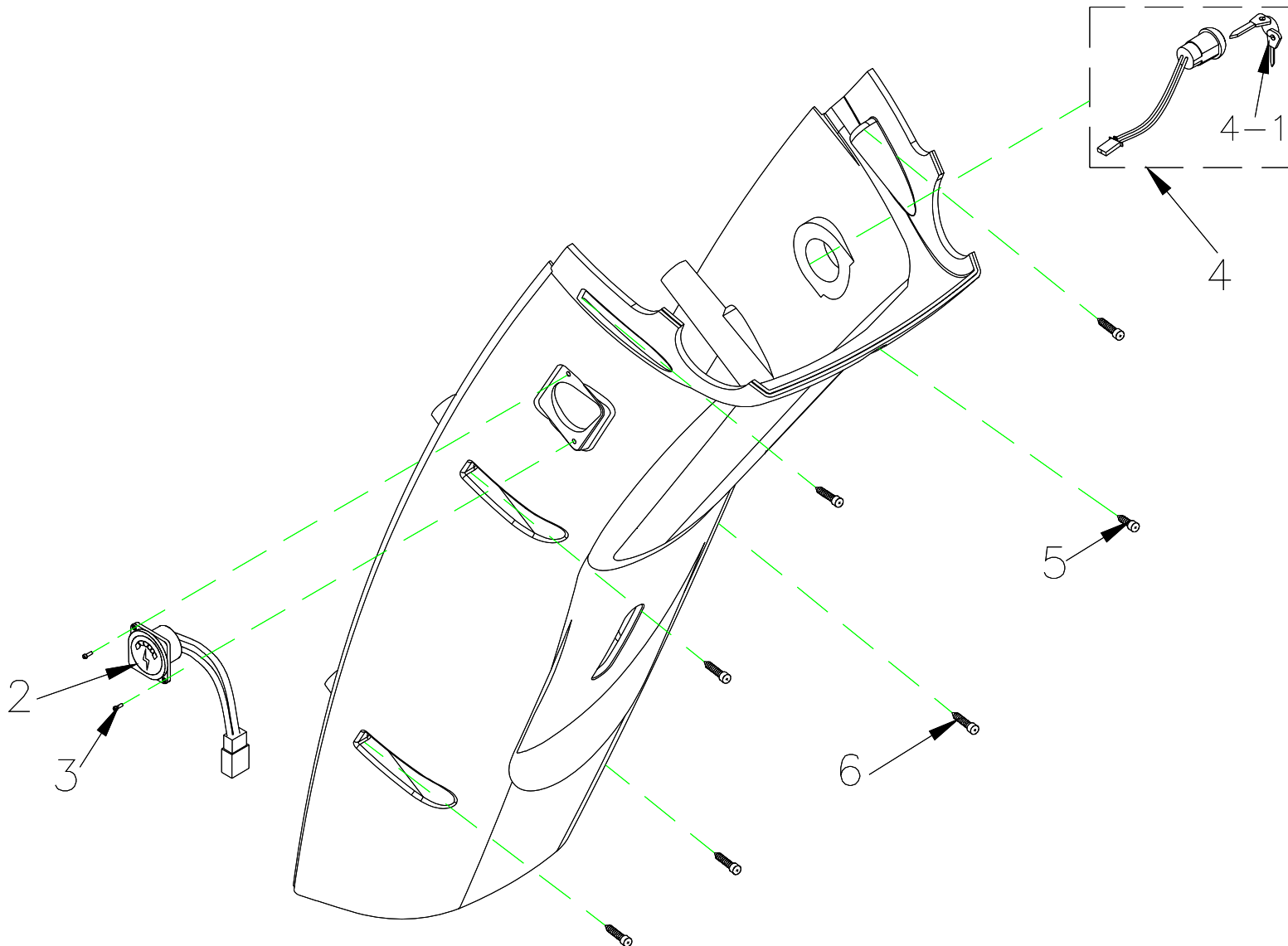
3.COVER , HANDLE BAR ASS'Y

Fig&Index NO.	Parts No.	Parts Name	QTY.
		English	
3	S08-051-00161	COVER , HANDLE BAR ASS'Y , UPPER , BE 01	1SET
3-1	C08-051-00965	COVER , HANDLE BAR , UPPER	1
3-2	C10-051-00300	CONTROL PANEL BUTTON	1
3-3	9011030080502	BOLT M3x8L	6
3-4	C10-051-00400	BATTERY INDICATOR , BE 01	1
3-5	C10-051-00500	CONTROL PANEL PC BOARD	1



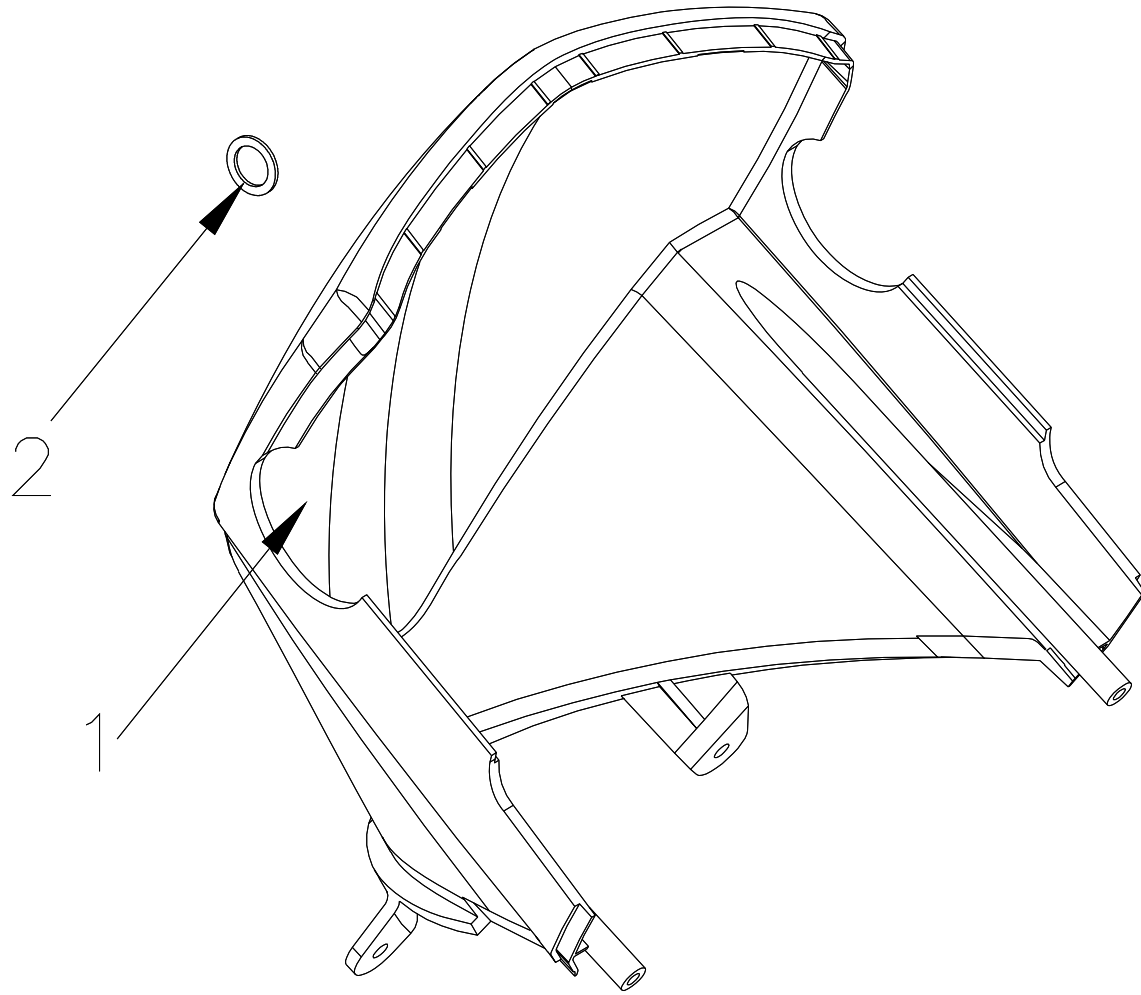
4.FRONT COVER ASS'Y , HAND BAR

Fig&Index NO.	Parts No.	Parts Name	QTY.
		English	
4	C08-051-00571	FRONT COVER , HAND BAR, SILVER 71	1
4	C08-051-00591	FRONT COVER , HAND BAR, WHITE 91	1



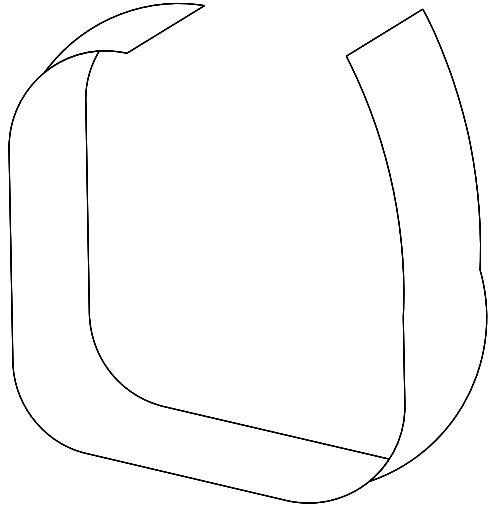
5.REAR COVER ASS'Y , HAND BAR

Fig&Index NO.	Parts No.	Parts Name	QTY.
		English	
5	S08-052-00271	REAR COVER ASS'Y , HAND BAR , SILVER 71	1SET
5-1	C08-052-00371	REAR COVER , HAND BAR , SILVER 71	1
5-2	C12-051-00200	CHARGER SOCKET ASS'Y	1
5-3	9014250080002	CR PAN HD SCREW , M3x15L	2
5-4	C18-001-01500	IGNITION SWIITCH ASS'Y	1
5-4-1	C37-001-02300	KEY	1
5-5	9029040120002	BOLT, M4x12L	1
5-6	9011040200003	BOLT,M4x20L	6
5	S08-052-00291	REAR COVER ASS'Y , HAND BAR , WHITE 91	1SET
5-1	C08-052-00391	REAR COVER , HAND BAR , WHITE 91	1
5-2	C12-051-00200	CHARGER SOCKET ASS'Y	1
5-3	9014250080002	CR PAN HD SCREW , M3x15L	2
5-4	C18-001-01500	IGNITION SWIITCH ASS'Y	1
5-4-1	C37-001-02300	KEY	1
5-5	9029040120002	BOLT M4x12L	1
5-6	9011040200003	BOLT,M4x20L	6

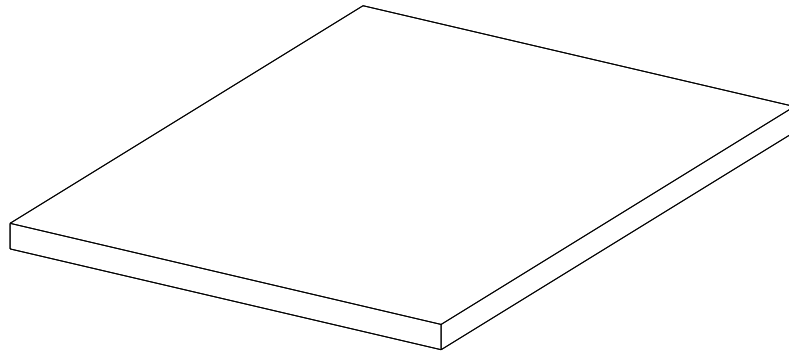


**6. COVER , HANDLE BAR , LOWER
ASS'Y**

Fig&Index NO.	Parts No.	Parts Name	QTY.
		English	
6	S08-051-00271	COVER ASS'Y , HANDLE BAR , LOWER , SILVER 71	1SET
6-1	C08-051-00871	COVER , HAND BAR , LOWER , SILVER 71	1
6-2	C25-029-00201	PLUG	1
6	S08-051-00291	COVER ASS'Y , HANDLE BAR , LOWER , WHITE 91	1SET
6-1	C08-051-00891	COVER , HAND BAR , LOWER , WHITE 91	1
6-2	C25-029-00201	PLUG	1

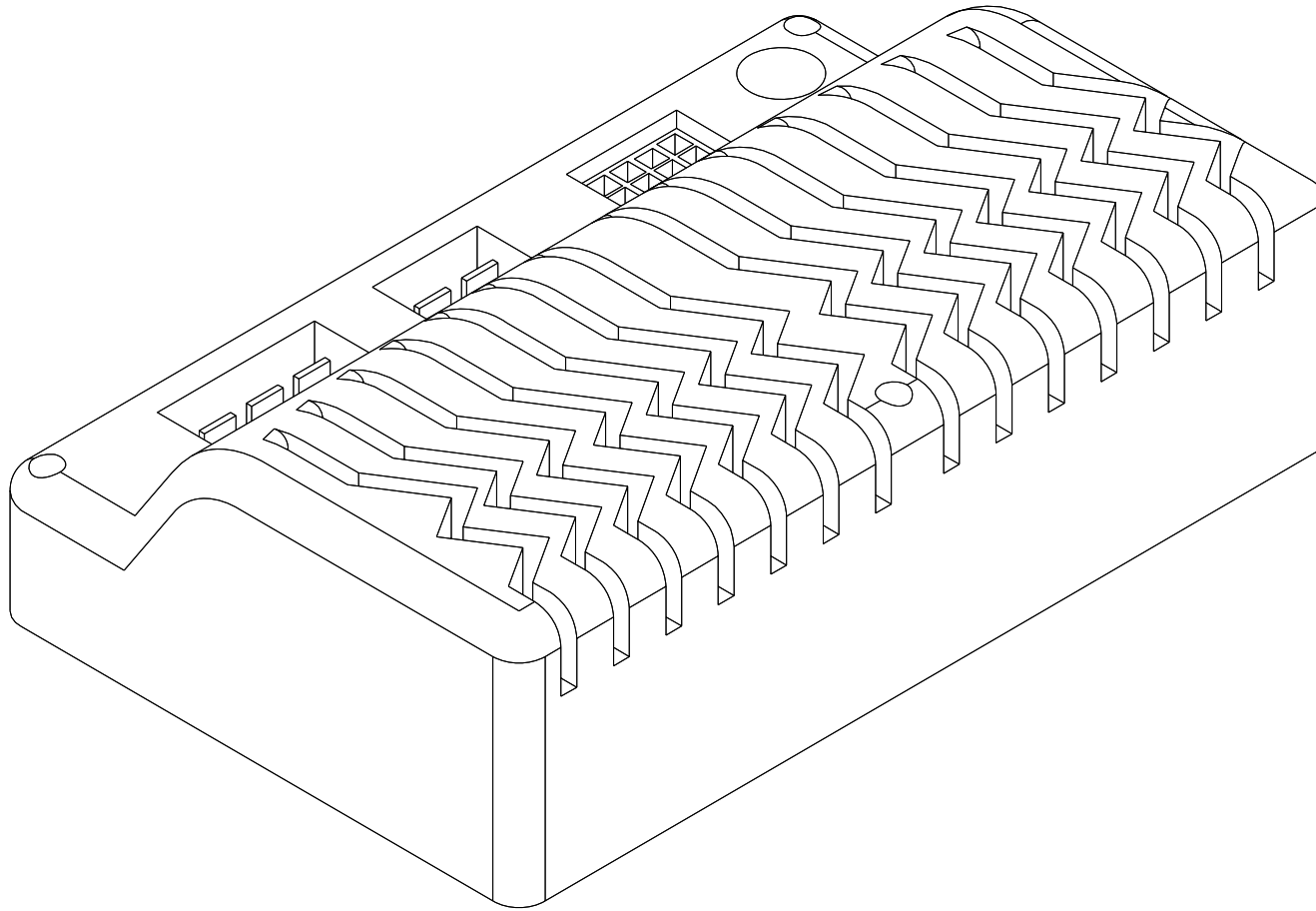


**7.VELCRO
STRIP,BATTERY**



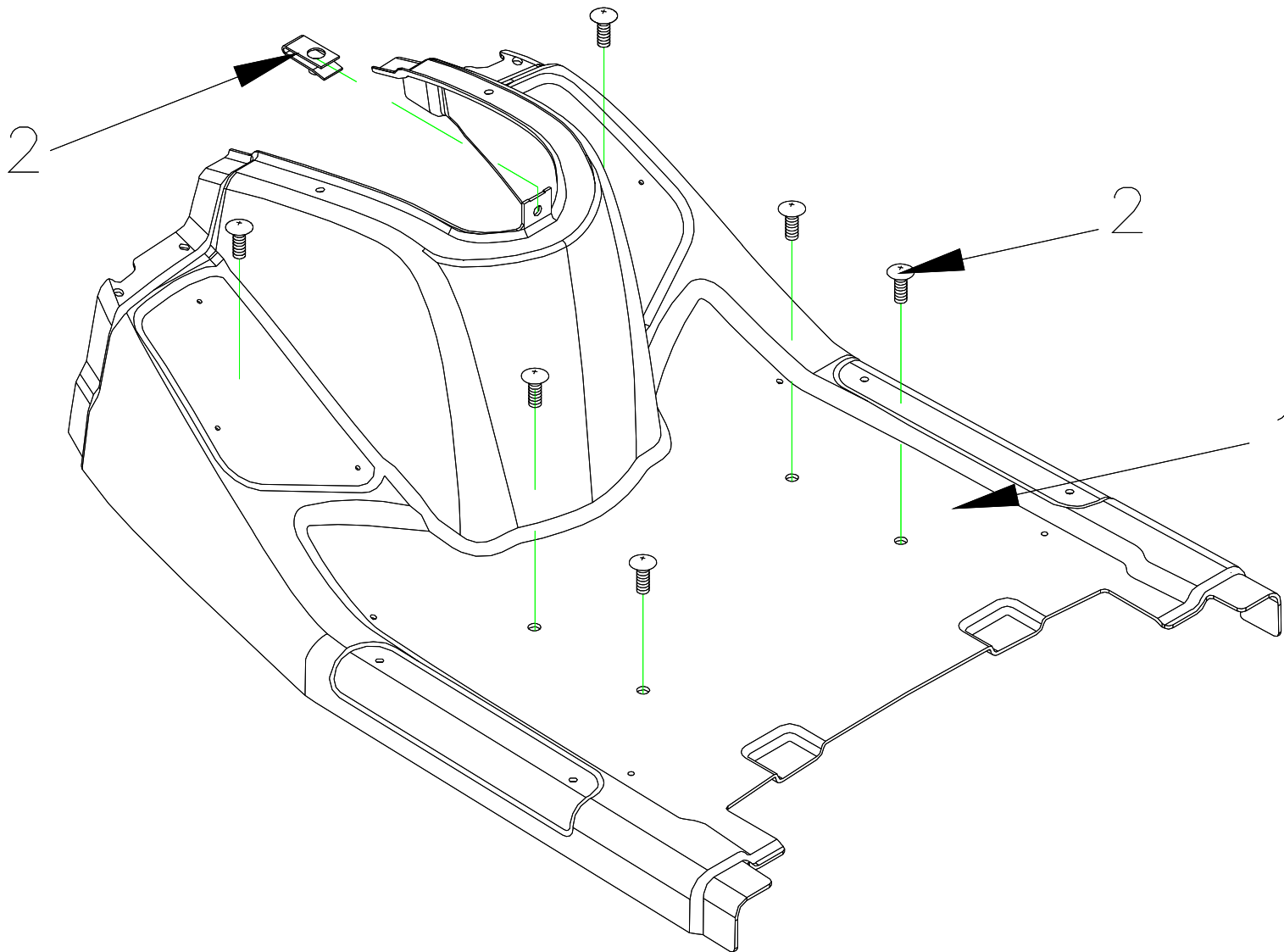
8.RUBBER PAD,BATTERY

Fig&Index NO.	Parts No.	Parts Name	QTY.
		English	
7	C31-029-00101	VELCRO STRIP , BATTERY	1
8	C25-005-00100	RUBBER PAD , BATTERY	1



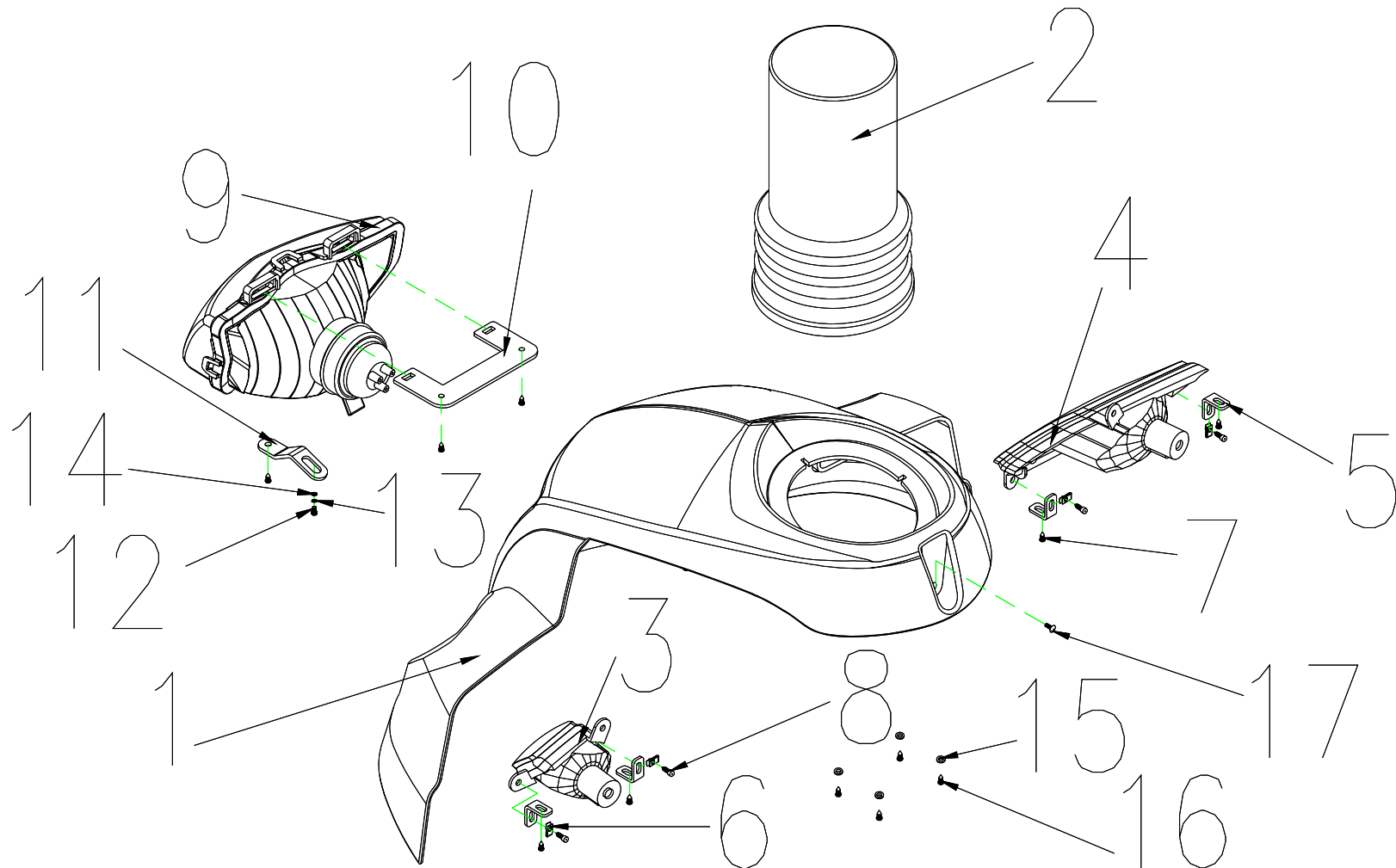
9. CONTROLLER

Fig&Index NO.	Parts No.	Parts Name
		English
9	C10-029-00300	CONTROLLER , DYNAMIC 160A



10.SHROUD ASS'Y

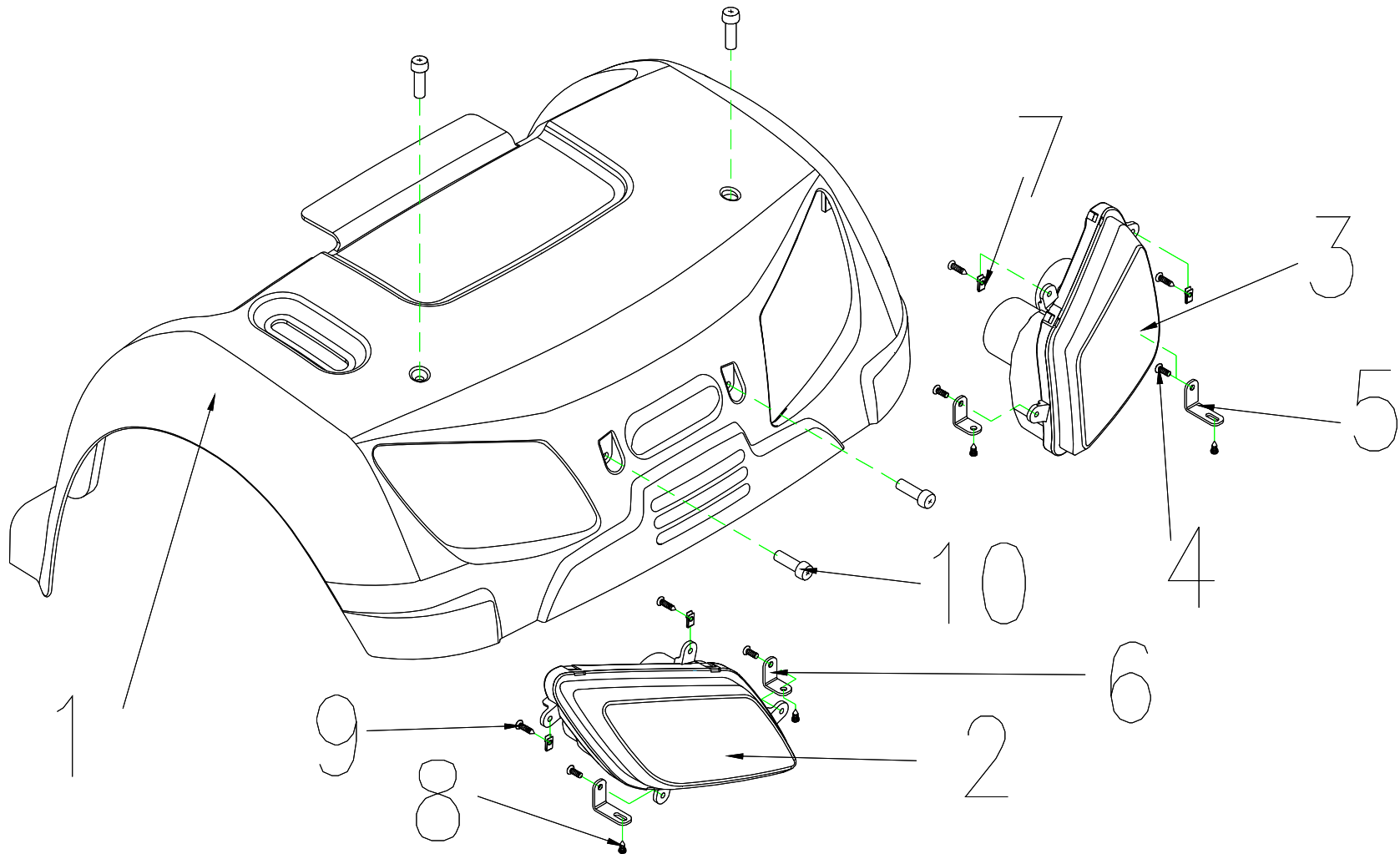
Fig&Index NO.	Parts No.	Parts Name	QTY.
		English	
10	S08-052-00171	SHROUD ASS'Y , SILVER 71	1SET
10-1	C08-052-00271	SHROUD , SILVER 71	1
10-2	9005060201002	BOLT M6x20L	6
10-3	9237060000000	U-TYPE SPRING NUT	1
10	S08-052-00191	SHROUD ASS'Y , WHITE 91	1SET
10-1	C08-052-00291	SHROUD , WHITE 91	1
10-2	9005060201002	BOLT M6x20L	6
10-3	9237060000000	U-TYPE SPRING NUT	1



11.FRONT SHROUD ASS'Y

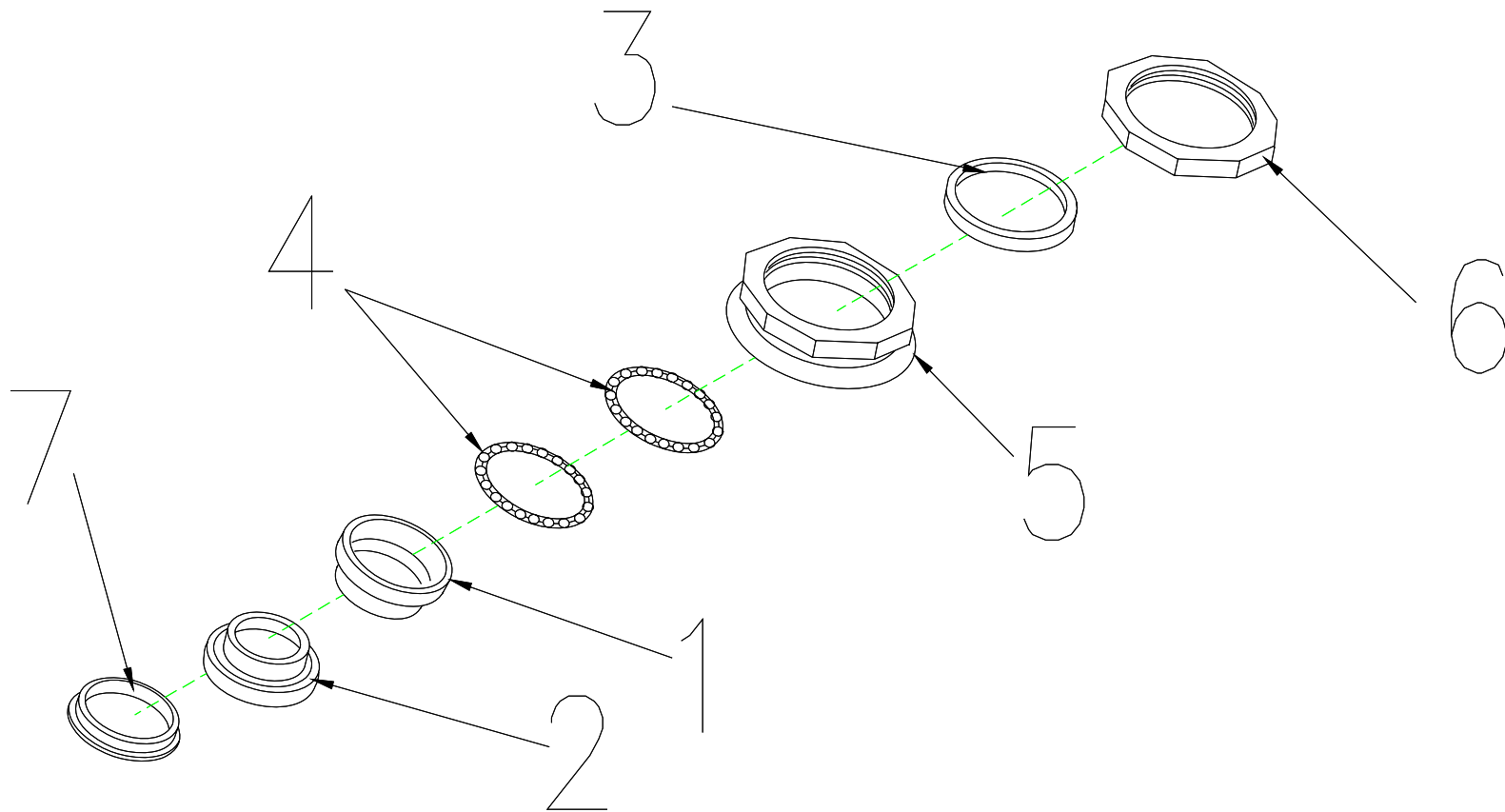
Fig&Index NO.	Parts No.	Parts Name	QTY.
		English	
11	S08-052-00371	FRONT SHROUD ASS'Y , SILVER 71	1SET
11-1	C08-052-00171	FRONT SHROUD,SILVER 71	1
11-2	C25-052-00100	RUBBER COVER , FRONT SHROUD	1
11-3	C15-052-00200	FRONT SIGNAL LAMP , L	1
11-4	C15-052-00100	FRONT SIGNAL LAMP , R	1
11-5	C01-052-00500	FRONT SIGNAL LAMP BRACKET	4
11-6	9237040000003	U-TYPE SPRING NUT	4
11-7	9029040120002	BOLT M4x12L	9
11-8	9029040200002	BOLT M4x20L	2
11-9	C13-052-00100	HEADLIGHT	1
11-10	C01-051-01300	HEADLIGHT BRACKET	1
11-11	C01-051-01400	HEADLIGHT ADJUSTING PLATE	1
11-12	9005040120702	BOLT M4x12L	1
11-13	9211050100803	SPRING WASHER , M5	1
11-14	9214060100133	WASHER , M6	1
11-15	C07-044-01700	WASHER , 8mm	4
11-16	9005040080703	BOLT M4x8L	4
11-17	9005060201002	BOLT M6x20L	1
11	S08-052-00391	FRONT SHROUD ASS'Y , WHITE 91	1SET
11-1	C08-052-00191	FRONT SHROUD,WHITE 91	1
11-2	C25-052-00100	RUBBER COVER , FRONT SHROUD	1
11-3	C15-052-00200	FRONT SIGNAL LAMP , L	1
11-4	C15-052-00100	FRONT SIGNAL LAMP , R	1
11-5	C01-052-00500	FRONT SIGNAL LAMP BRACKET	4
11-6	9237040000003	U-TYPE SPRING NUT	4
11-7	9029040120002	BOLT M4x12L	9

11-8	9029040200002	BOLT M4x20L	2
11-9	C13-052-00100	HEADLIGHT	1
11-10	C01-051-01300	HEADLIGHT BRACKET	1
11-11	C01-051-01400	HEADLIGHT ADJUSTING PLATE	1
11-12	9005040120702	BOLT M4x12L	1
11-13	9211050100803	SPRING WASHER , M5	1
11-14	9214060100133	WASHER , M6	1
11-15	C07-044-01700	WASHER , 8mm	4
11-16	9005040080703	BOLT M4x8L	4
11-17	9005060201002	BOLT M6x20L	1



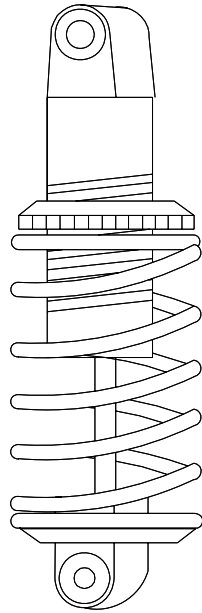
12.REAR SHROUD ASS'Y

Fig&Index NO.	Parts No.	Parts Name	QTY.
		English	
12	S08-051-00371	REAR SHROUD ASS'Y , SILVER 71, W/O LABEL	1SET
12-1	C08-051-00371	REAR SHROUD , SILVER 71	1
12-2	C14-052-00200	REAR SIGNAL LAMP , L	1
12-3	C14-052-00100	REAR SIGNAL LAMP , R	1
12-4	9004040100704	BOLT M4x10L	4
12-5	C01-051-01600	REAR SIGNAL LAMP BRACKET - LONG	4
12-6	C01-051-01700	REAR SIGNAL LAMP BRACKET - SHORT	4
12-7	9237040000003	U-TYPE SPRING NUT	4
12-8	9029040120002	BOLT M4x12L	6
12-9	9029040200002	BOLT M4x20L	2
12-10	9004060201003	BOLT M6x20L(ED)	4
12	S08-051-00391	REAR SHROUD ASS'Y , WHITE 91, W/O LABEL	1SET
12-1	C08-051-00391	REAR SHROUD , WHITE 91	1
12-2	C14-052-00200	REAR SIGNAL LAMP , L	1
12-3	C14-052-00100	REAR SIGNAL LAMP , R	1
12-4	9004040100704	BOLT M4x10L	4
12-5	C01-051-01600	REAR SIGNAL LAMP BRACKET - LONG	4
12-6	C01-051-01700	REAR SIGNAL LAMP BRACKET - SHORT	4
12-7	9237040000003	U-TYPE SPRING NUT	4
12-8	9029040120002	BOLT M4x12L	6
12-9	9029040200002	BOLT M4x20L	2
12-10	9004060201003	BOLT M6x20L(ED)	4



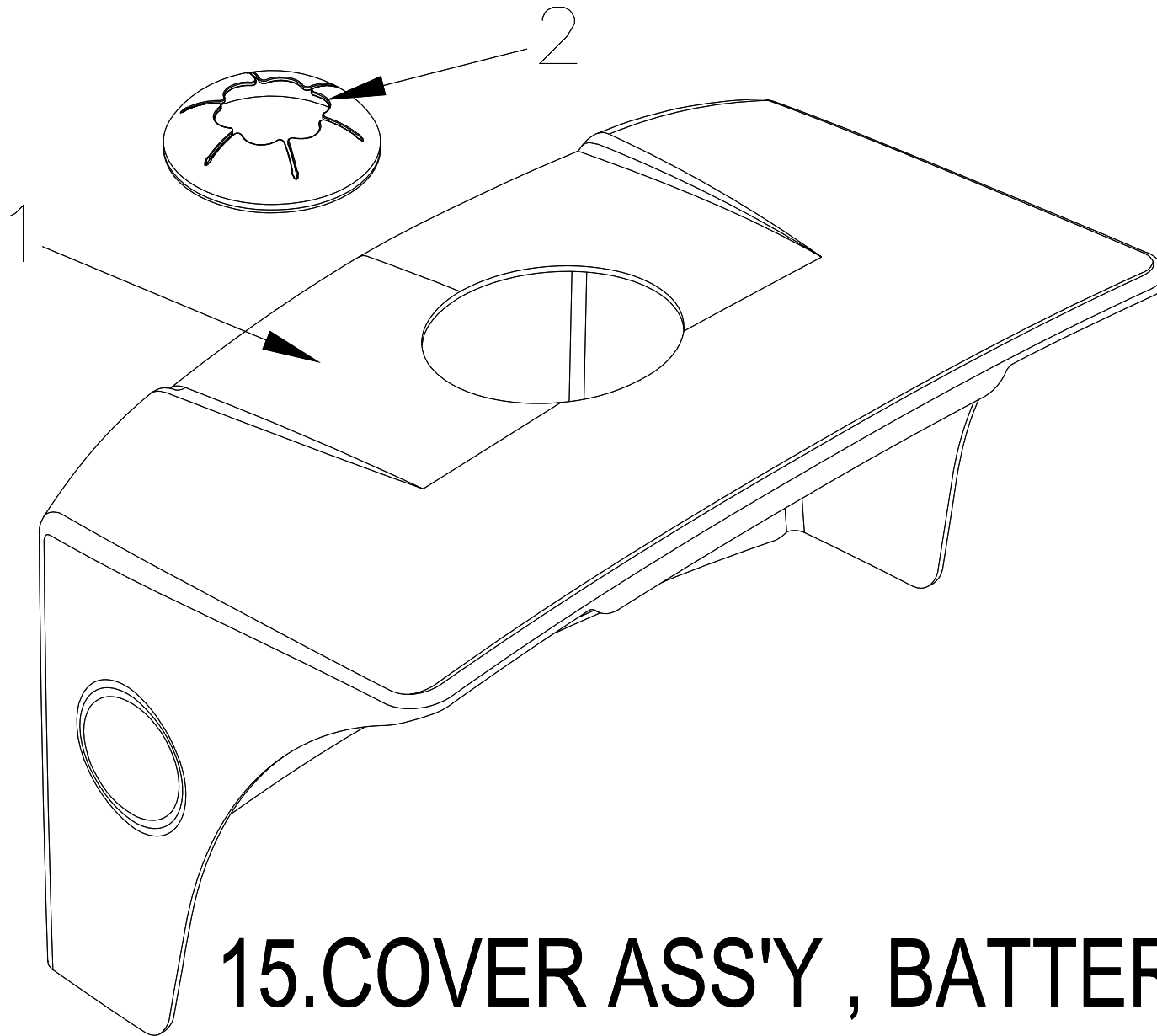
13.REGULAR BEARING BALL SET

Fig&Index NO.	Parts No.	Parts Name	QTY.
		English	
13	S02-001-00601	REGULAR BEARING BALL SET	1SET
13-1	C29-001-10101	CUP , UPPER	1
13-2	C29-001-00101	CUP , LOWER	1
13-3	9214290300353	COLLARLESS WASHER	1
13-4	C29-001-10200	BEARING	2
13-5	C29-001-10401	BEARING BUSH	1
13-6	C29-001-10501	LOCKING NUT,BEARING	1
13-7	C29-001-10301	BEARING CAGE	1



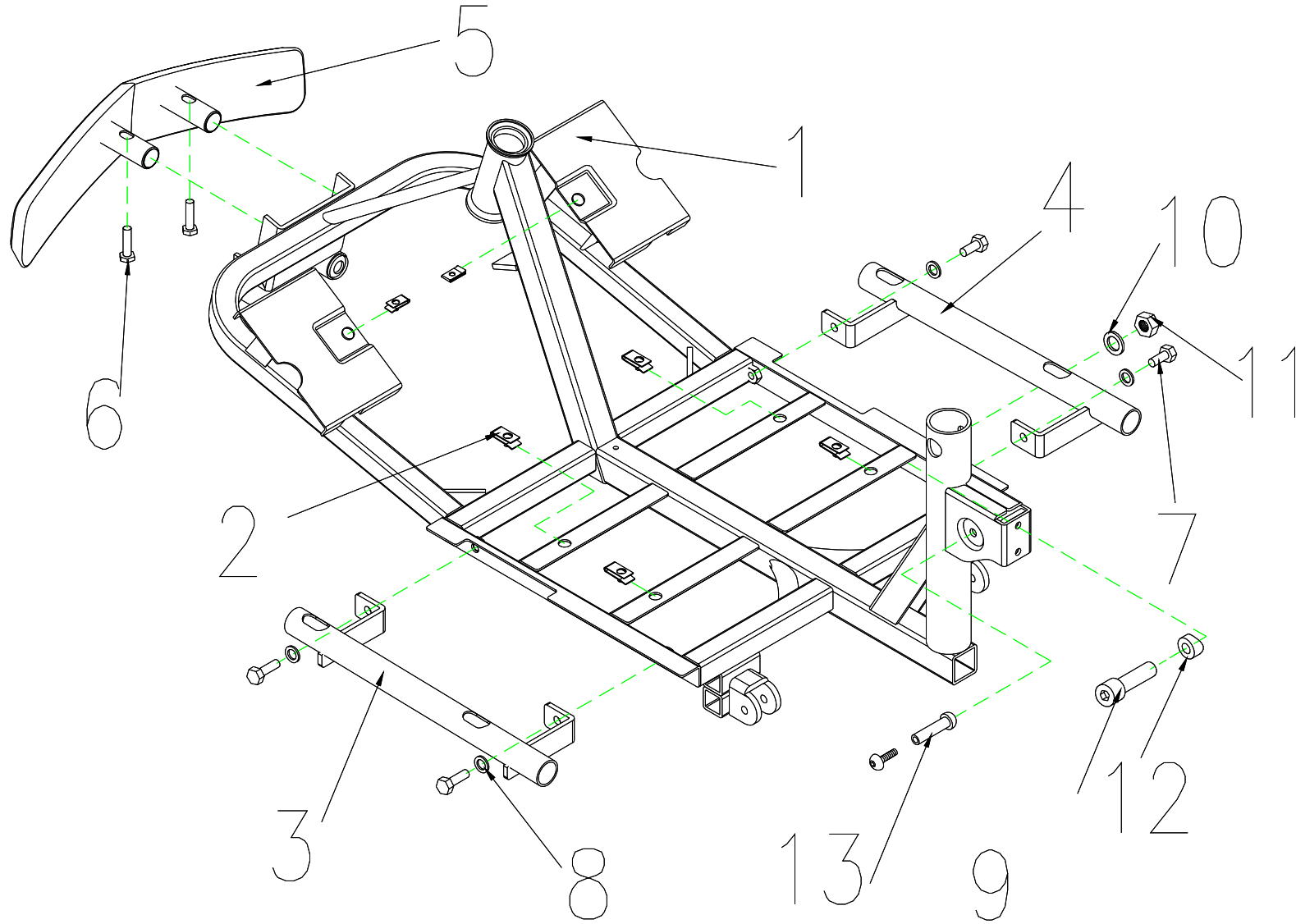
14.ABSORBER,750LBS

Fig&Index NO.	Parts No.	Parts Name	QTY.
		English	
14	C04-022-00501	ABSORBER , 750LBS	1



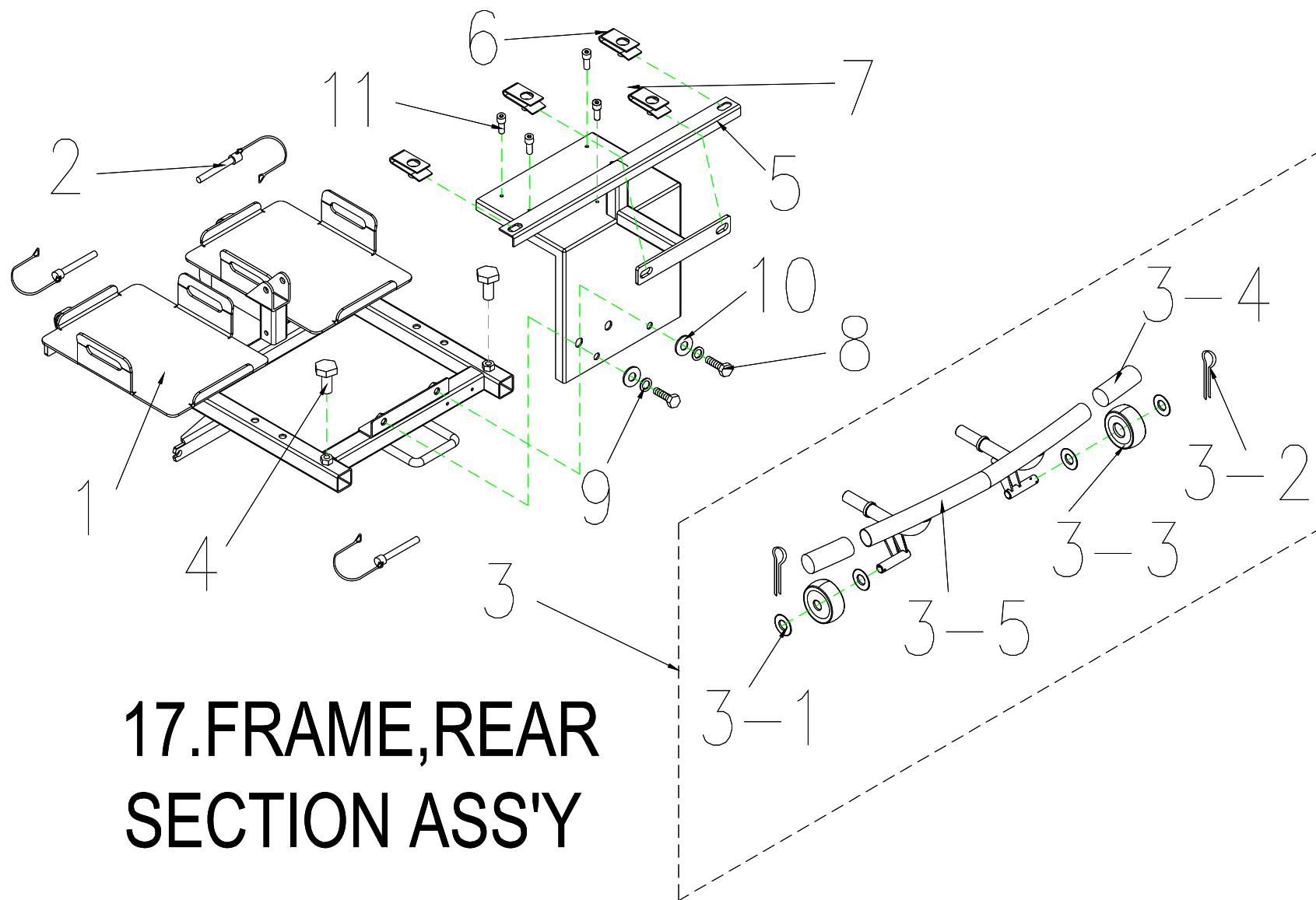
15.COVER ASS'Y , BATTERY

Fig&Index NO.	Parts No.	Parts Name	QTY.
		English	
15	S08-051-00461	COVER ASS'Y , BATTERY , BLACK 61 , W/O LABEL	1SET
15-1	C08-051-00461	COVER BATTERY , BLACK 61	1
15-2	C25-039-00100	RUBBER COVER , REAR SHROUD	1



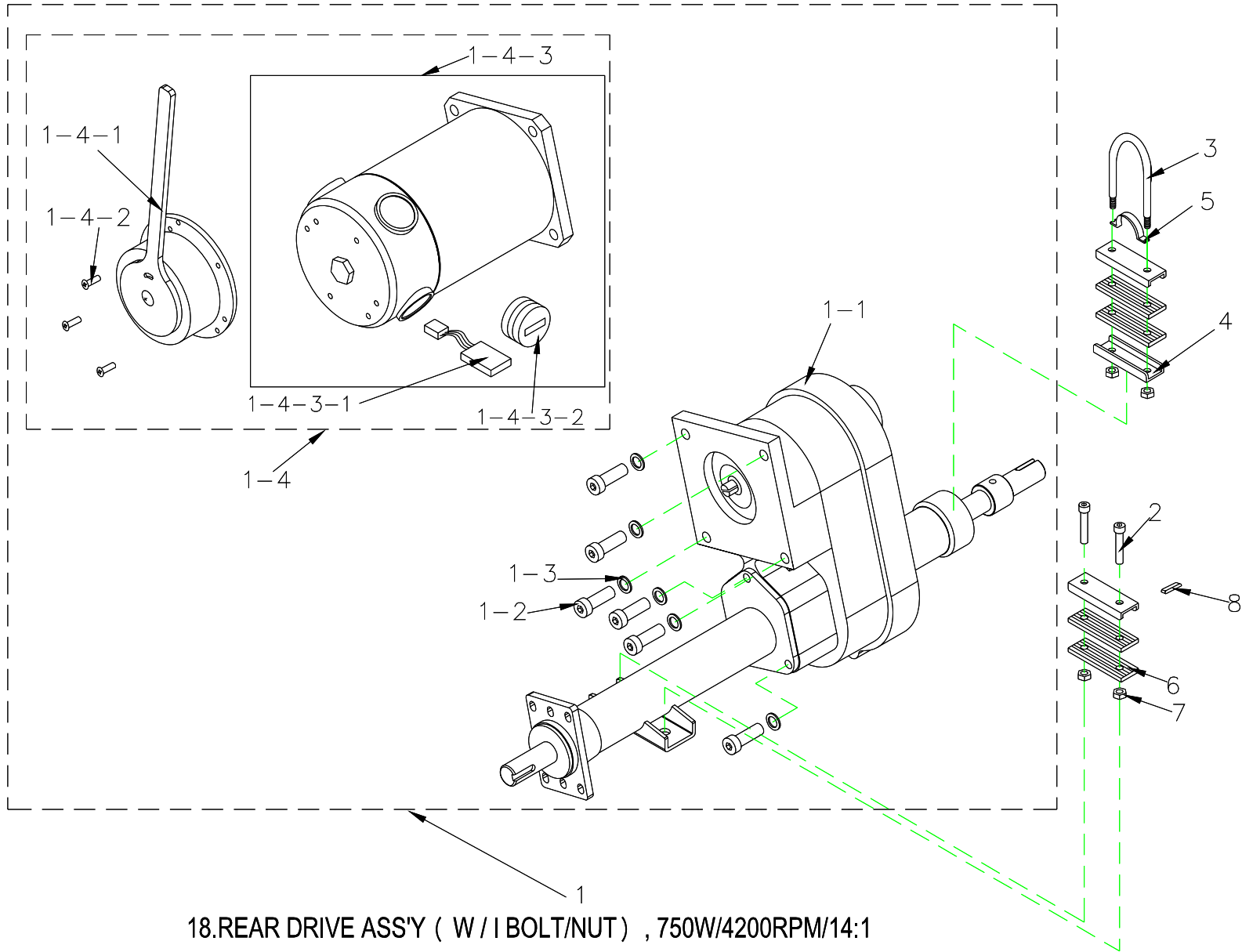
16.FRAME,FRONT SECTION ASS'Y

Fig&Index NO.	Parts No.	Parts Name	QTY.
		English	
16	S01-052-00100	FRAME,FRONT SECTION ASS'Y	1SET
16-1	C01-052-00300	FRAME,FRONT SECTION	1
16-2	9237060000000	U-TYPE SPRING NUT	6
16-3	C01-051-00800	HOLDER ,FOOTREST , L	1
16-4	C01-051-00900	HOLDER ,FOOTREST , R	1
16-5	C01-052-00200	FRONT BUMPER ASS'Y	1
16-6	9002080301251	CR ROUND HD SCREW,M8x30L	2
16-7	9001080201251	CR ROUND HD SCREW,M8x20L	4
16-8	9211080200142	SPRING WASHER,5/16	4
16-9	9035100551501	BOLT , M10X55L	1
16-10	9250100200227	WASHER , M10	1
16-11	9201101001502	LOCK NUT , M10XP1.5	1
16-12	9367190800350	WASHER,ψ10Xψ19X3.5L	1
16-13	9027060301256	HEX BOLT , M8xP1.25x30L	1



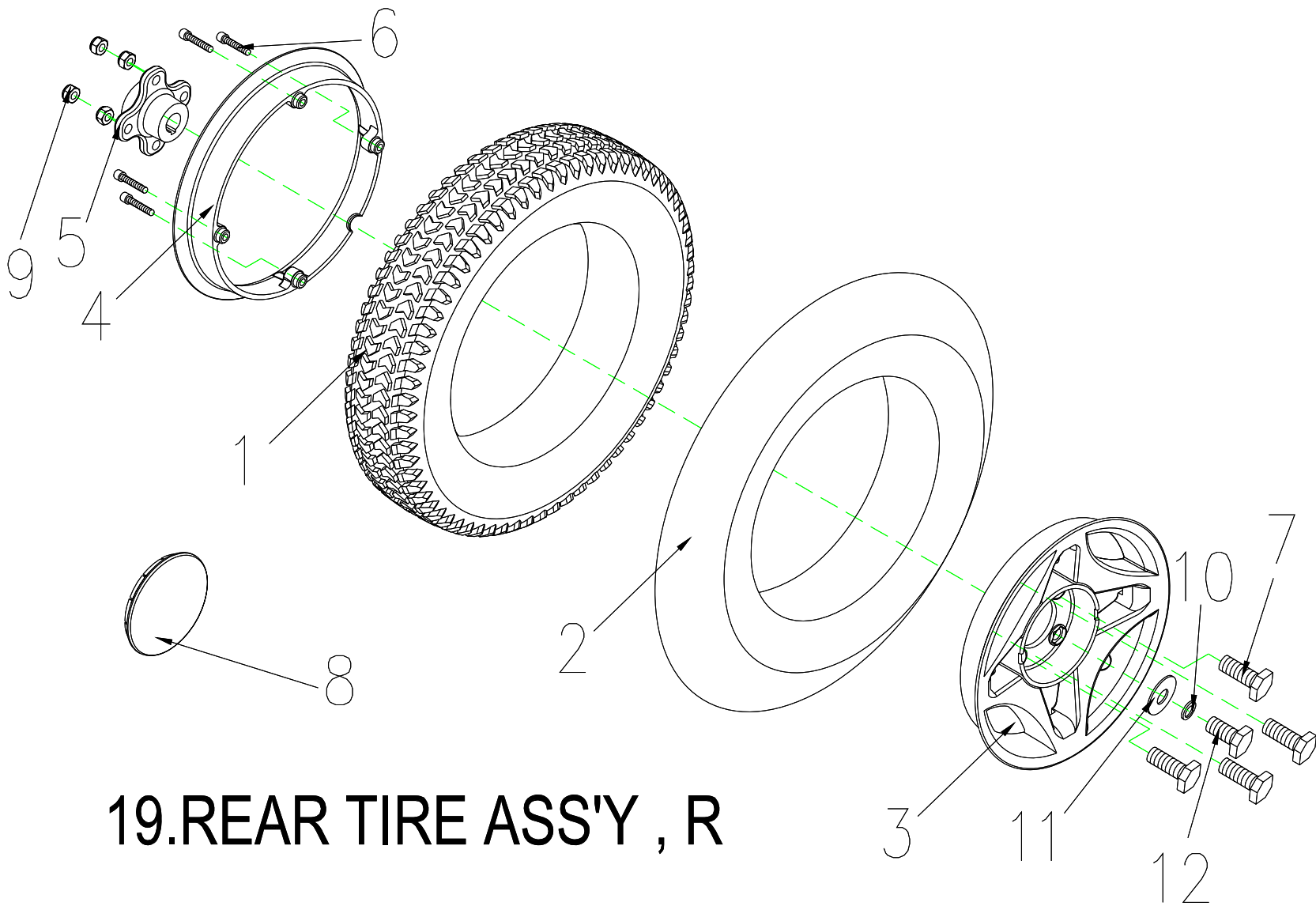
**17.FRAME,REAR
SECTION ASS'Y**

Fig&Index NO.	Parts No.	Parts Name	QTY.
		English	
17	S01-051-00100	FRAME , REAR SECTION ASS'Y	1SET
17-1	C01-051-00400	FRAME , REAR SECTION	1
17-2	C01-005-00700	LOCK PIN , Φ8x41L	3
17-3	C01-051-00600	REAR BUMPER ASS'Y	1
17-3-1	C26-005-00900	PLASTIC WASHERψ40xψ17.5x2T	4
17-3-2	9352060240000	R TYPE PIN	2
17-3-3	C28-005-00101	ANT-TIP WHEELS	2
17-3-4	C25-029-00100	BUMPER,GRIP	2
17-3-5	C01-051-01800	REAR BUMPER	1
17-4	9002080301251	HEX FLANGE BOLT,M8x30L	2
17-5	C01-051-01200	REAR BRACKET , W/I CONTROLLER HOLDER	1
17-6	9237060000001	U-TYPE SPRING NUT	2
17-7	9237060000000	U-TYPE SPRING NUT	2
17-8	9001080201251	HEX FLANGE BOLT,M8x20L	2
17-9	9211080200142	SPRIG WASHER 5/16	2
17-10	9214080150232	WASHER 5/16	2
17-11	9004040300704	BOLT M4x30L	3



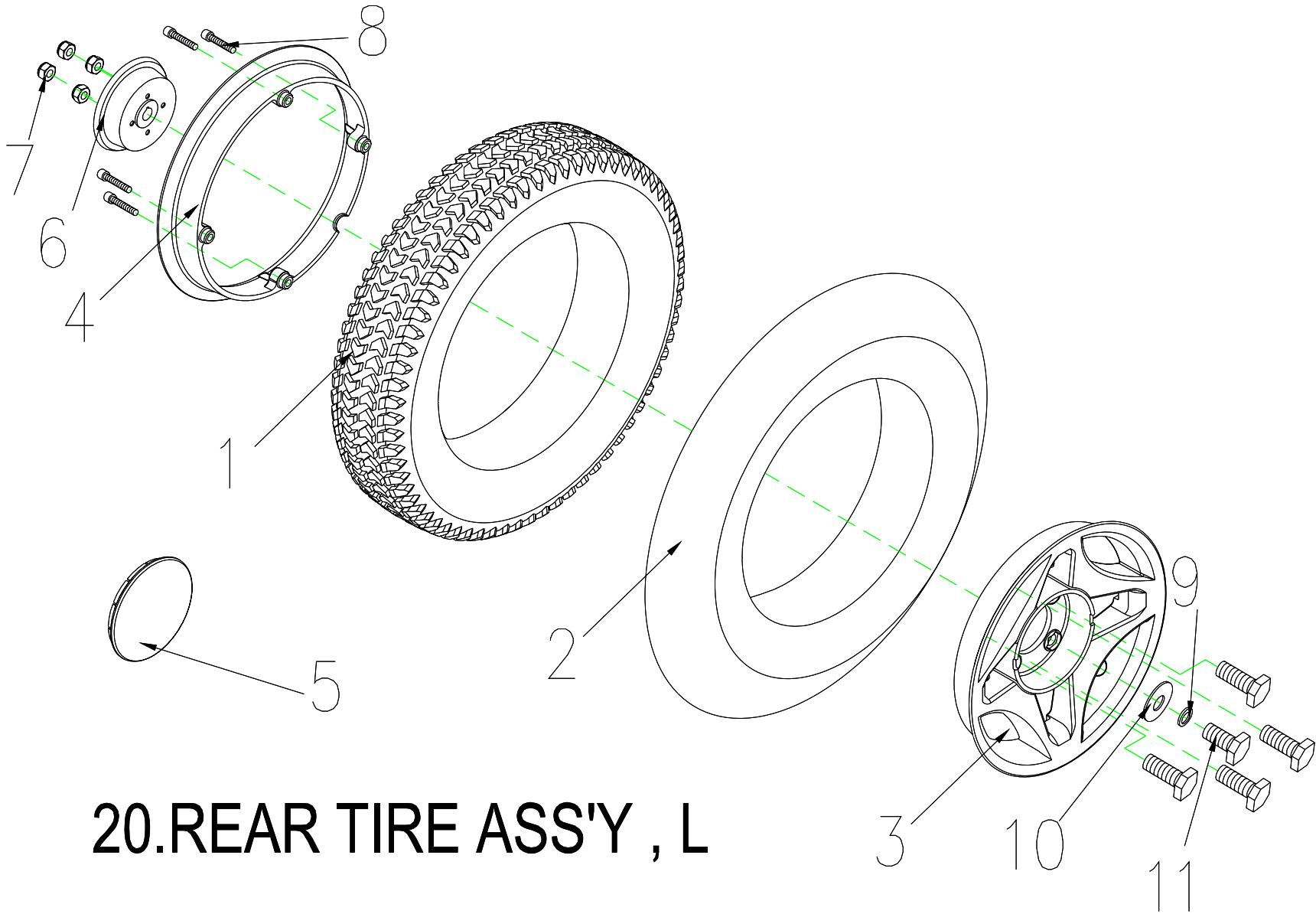
18.REAR DRIVE ASS'Y (W / I BOLT/NUT) , 750W/4200RPM/14:1

Fig&Index NO.	Parts No.	Parts Name	QTY.
		English	
18	S09-051-00100	REAR DRIVE ASS'Y (WITH BOLT / NUT) ,750W4200RPM14 : 1	1SET
18-1	C09-051-00100	REAR DRIVE ASS'Y (WITHOUT BOLT / NUT) , 750W4200RPM1	1
18-1-1	C09-051-00200	TRANSAXLE ONLY (WITHOUT MOTOR)	1
18-1-2	9021080201251	BOLT , M8x20L	4
18-1-3	921108020014 2	SPRING WASHER , 5/16	4
18-1-4	C09-051-00300	MOTOR (WITH BRAKE) ,750W4200RPM	1
18-1-4-1	C09-051-00500	ELECTRO-MAGNETIC BRAKE , 100kgf-cm	1
18-1-4-2	9004040120704	BOLT , M4x12	3
18-1-4-3	C09-051-00400	MOTOR ONLY , 750W4200RPM	1
18-1-4-3-1	C09-022-02300	CARBON BRUSH , 7x17mm	4
18-1-4-3-2	C09-022-02700	CARBON BRUSH CAP , 7x17mm	4
18-2	9035080501251	BOLT,M8x50	2
18-3	9024080950001	U-TYPE BOLT , M8x1.25x98Hx15mm	1
18-4	C09-001-10500	U-TYPE PLATE , MOTOR	3
18-5	C09-001-10400	ARCH TYPE PLATE , MOTOR	1
18-6	C05-001-90200	RUBBER DAMPER PAD , MOTOR	4
18-7	9201080801252	LOCK NUT, M8x1.25	4
18-8	9357005005020	PIN,5x5x20	2



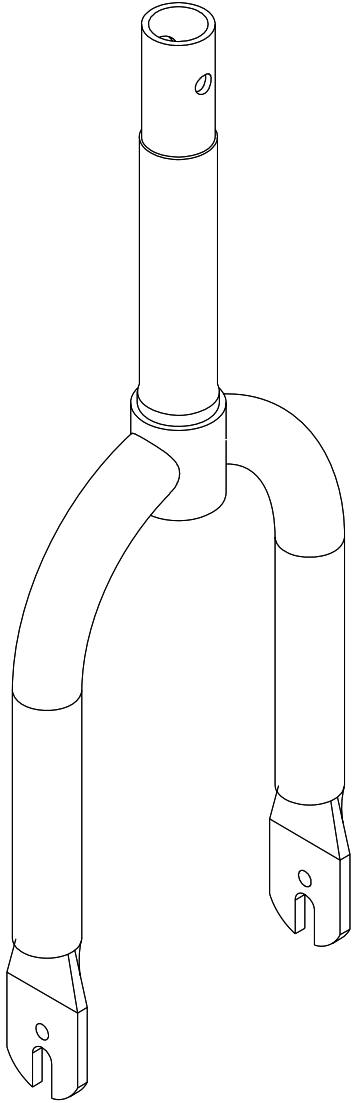
19.REAR TIRE ASS'Y , R

Fig&Index NO.	Parts No.	Parts Name	QTY.
		English	
19	S06-051-00100	REAR TIRE ASS'Y , BLACK , R	1SET
19-1	C06-051-00100	TIRE , BLACK , 3.0-8C248-16	1
18-2	C06-051-00200	INNER TUBE , 3.0-8	1
18-3	C05-047-00100	WHEEL RIM , ALUNINUM , 8"	1
18-4	C05-047-00200	WHEEL RIM , ALUNINUM , 8"	1
18-5	C06-001-10201	AXLE COLLAR,REAR WHEEL	1
18-6	9022060301001	BOLT M6x30L	4
18-7	9002080251251	HEXAGONAL BOLT M8x1.25x25L	4
18-8	C05-047-00600	WHEEL COVER	1
18-9	9201080801252	LOCK NUT , M8x1.25	4
18-10	9211080200142	SPRING WASHER , 5/16	1
18-11	9214080150232	WASHER , 5/16	1
18-12	9001080201251	HEXAGONAL BOLT M8x1.25x20L	1



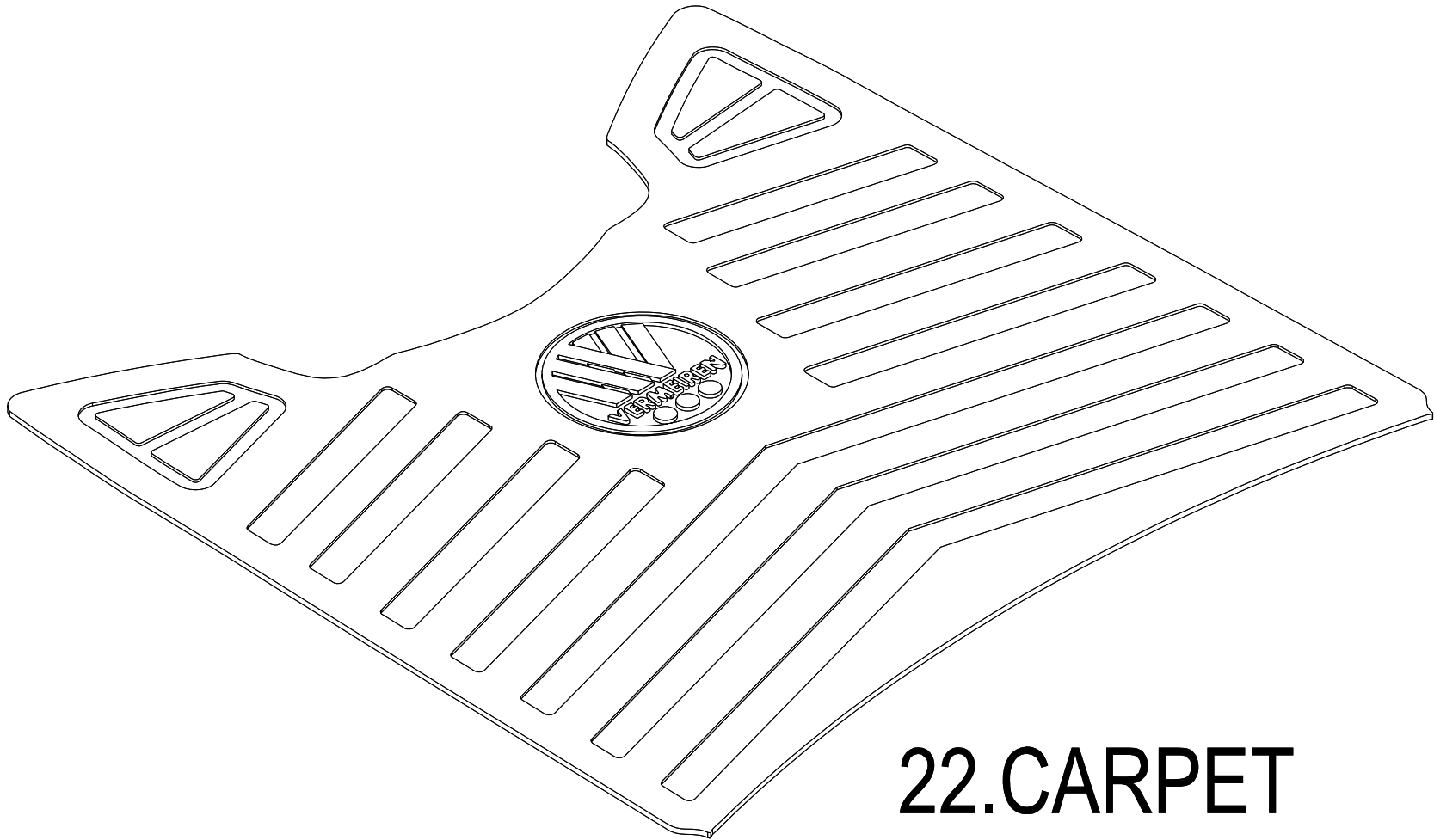
20.REAR TIRE ASS'Y , L

Fig&Index NO.	Parts No.	Parts Name	QTY.
		English	
20	S06-051-00200	REAR TIRE ASS'Y, BLACK, L	1SET
20-1	C06-051-00100	TIRE , BLACK , 3.0-8C248-16	1
20-2	C06-051-00200	INNER TUBE , 3.0-8	1
20-3	C05-047-00100	WHEEL RIM , ALUNINUM , 8"	1
20-4	C05-047-00200	WHEEL RIM , ALUNINUM , 8"	1
20-5	C05-047-00600	COVER , WHEEL RIM	1
20-6	C06-005-00202	WHEEL RIM , STEEL	1
20-7	9201080801252	LOCK NUT , M8x1.25	4
20-8	9022060301001	BOLT M6x30L	4
20-9	9211080200142	SPRING WASHER , 5/16	1
20-10	9214080150232	WASHER , 5/16	1
20-11	9001080201251	BOLT , M8x20L	5



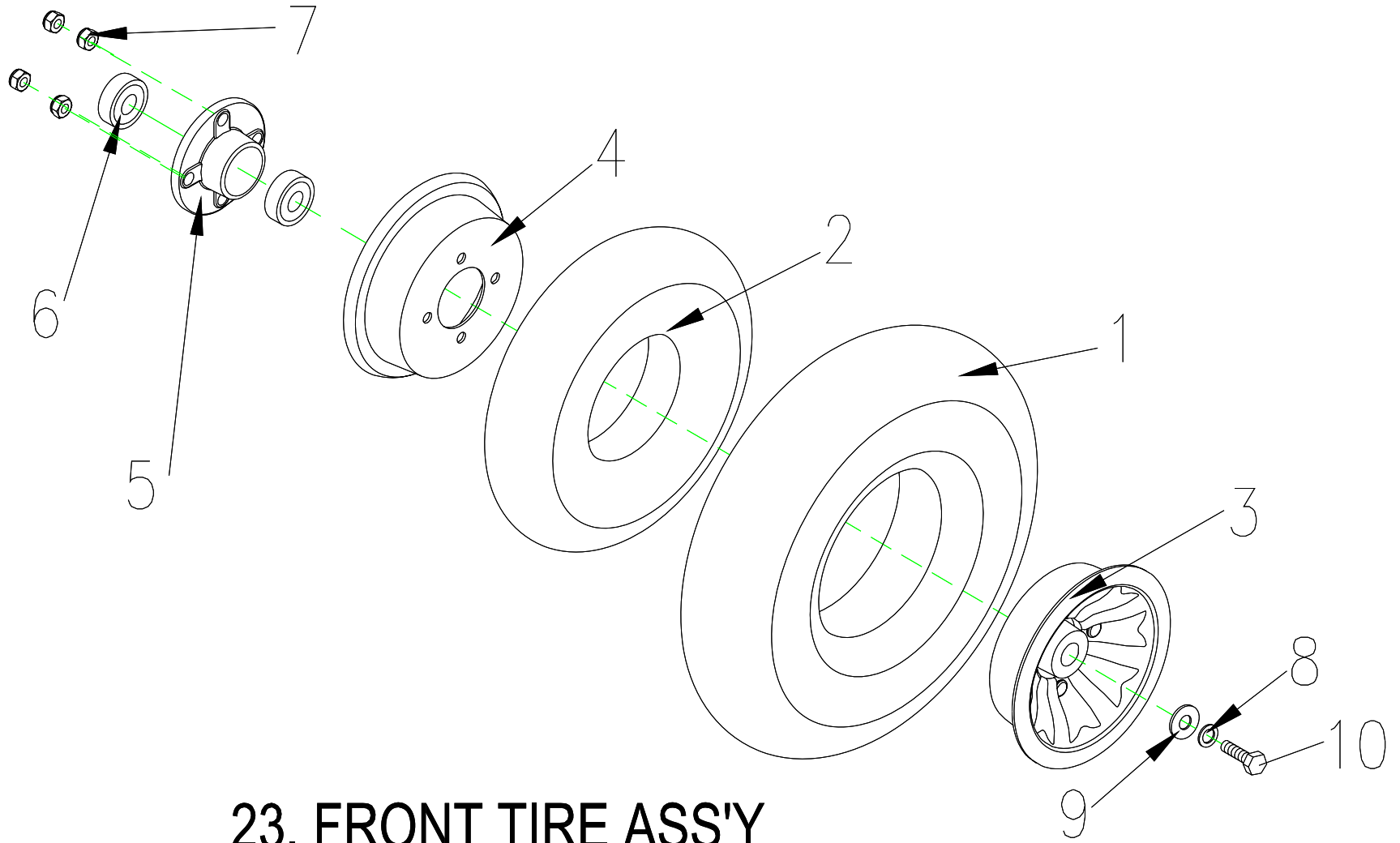
21.FRONT FORK ASS'Y

Fig&Index NO.	Parts No.	Parts Name	QTY.
		English	
21	C03-052-00100	FRONT FORK ASS'Y	1SET



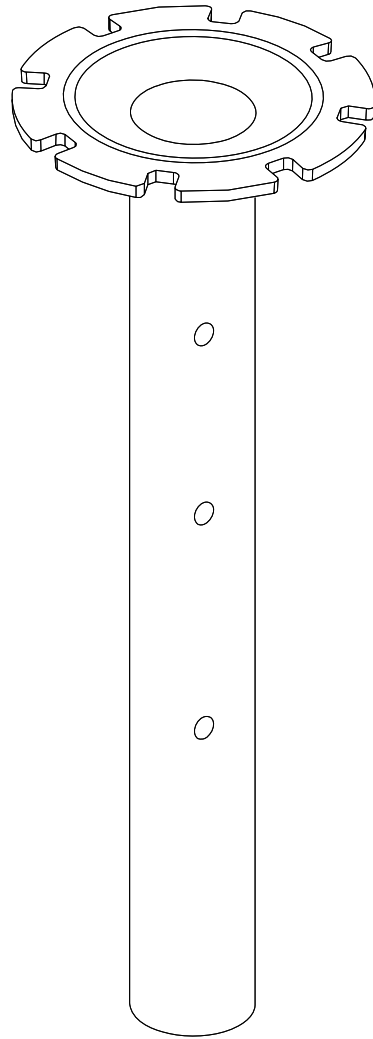
22.CARPET

Fig&Index NO.	Parts No.	Parts Name	QTY.
		English	
22	C21-052-00100	CARPET	1



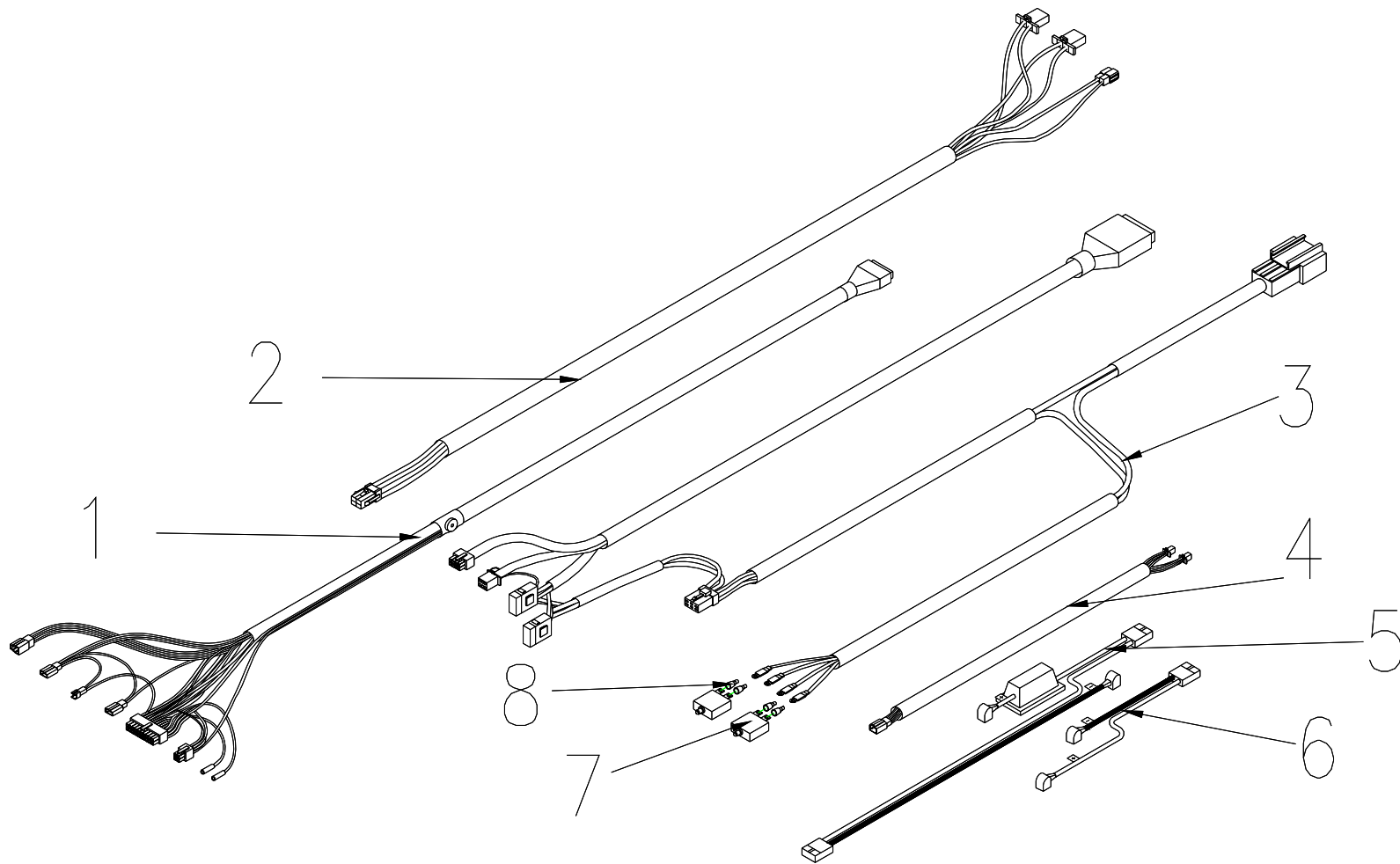
23. FRONT TIRE ASS'Y

Fig&Index NO.	Parts No.	Parts Name	QTY.
		English	
23	S05-051-00100	FRONT TIRE ASS'Y 400-4 C154-1 BLACK	1SET
23-1	C06-001-10300	TIRE , 400-4 C154-1 BLACK	1
23-2	C05-001-10200	INNER TUBE 400-4-87	1
23-3	C06-017-00300	WHEEL RIM , ALUNINUM , 4"	1
23-4	C05-001-10400	WHEEL RIM , STEEL , 4"	1
23-5	C05-001-10500	AXLE COLLAR,FRONT WHEEL	1
23-6	9653063000000	BEARING	2
23-7	9201080801252	LOCK NUT,M8x1.25	4
23-8	9211080200142	SPRING WASHER , 5/16	1
23-9	9214080150232	WASHER , 5/16	1
23-10	9001080201251	BOLT , M8x20L	1



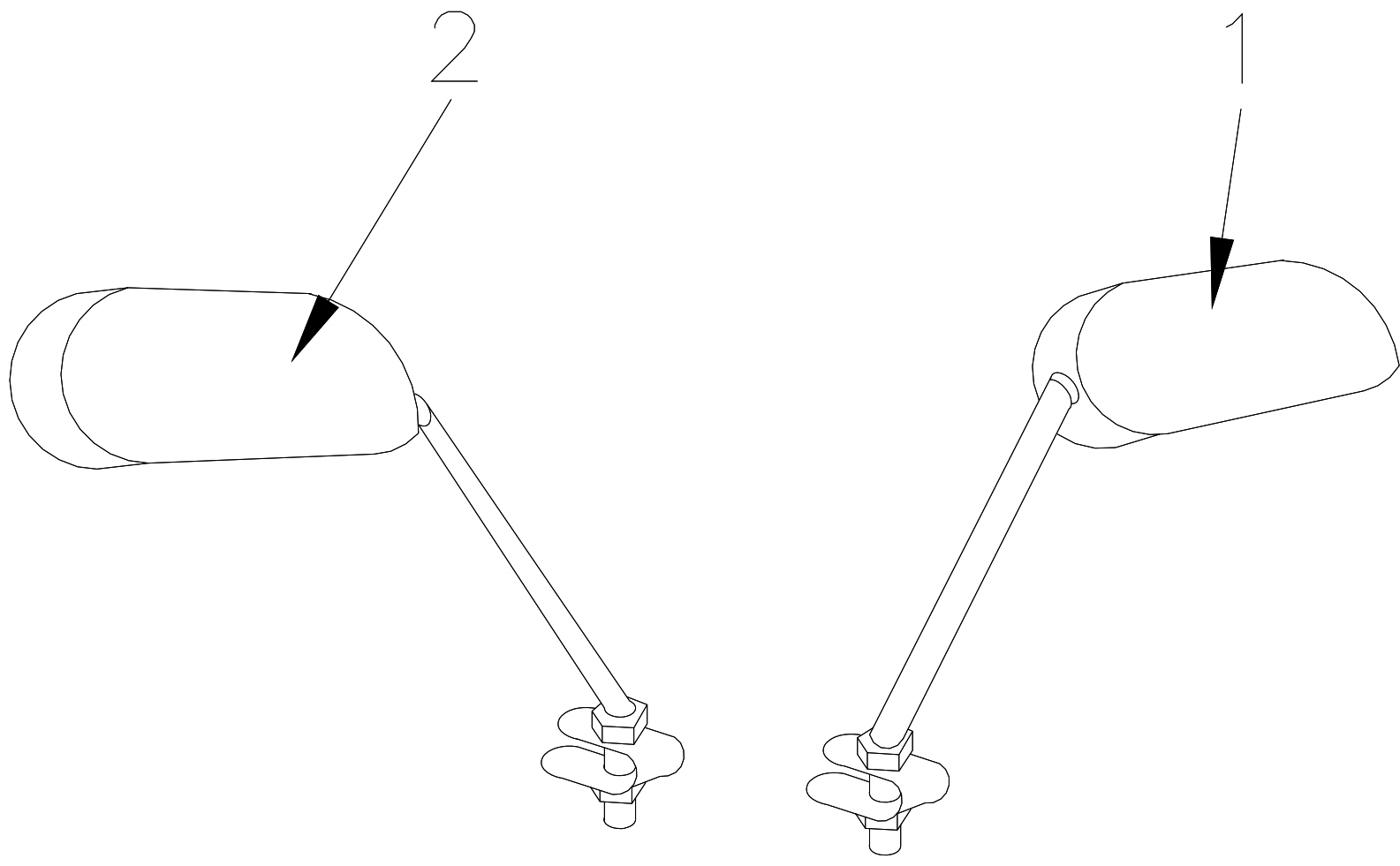
24.SEAT POST

Fig&Index NO.	Parts No.	Parts Name	QTY.
		English	
24	C07-005-00900	SEAT POST	1



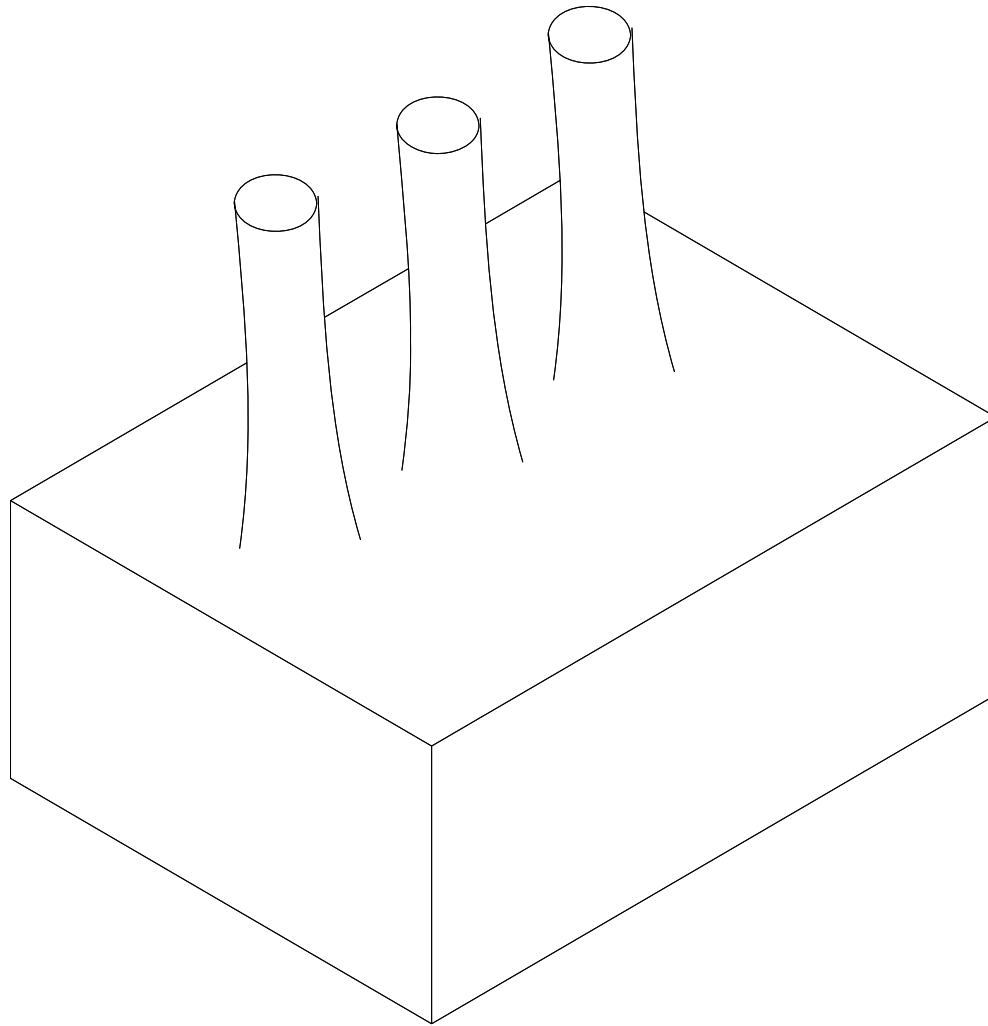
25.WINE HARNESS ASS'Y

Fig&Index NO.	Parts No.	Parts Name	QTY.
		English	
25	S18-051-00100	WIRE HARNESS ASS'Y	1SET
25-1	C18-051-00100	WIRE HARNESS , DECAL	1
25-2	C18-051-00200	WIRE HARNESS , CONTROLLER	1
25-3	C18-051-00300	CABLE UNIT , REAR SHROUD	1
25-4	C18-051-00400	WIRE HARNESS FOR SIGNAL LIGHT	1
25-5	C18-005-01204	BATTERY CABLE , W/I FUSE	1
25-6	C18-005-01104	BATTERY CABLE , W/I FUSE	1
25-7	C16-022-00401	BREAKER , 35A	2
25-8	C26-001-00800	PLUG	4



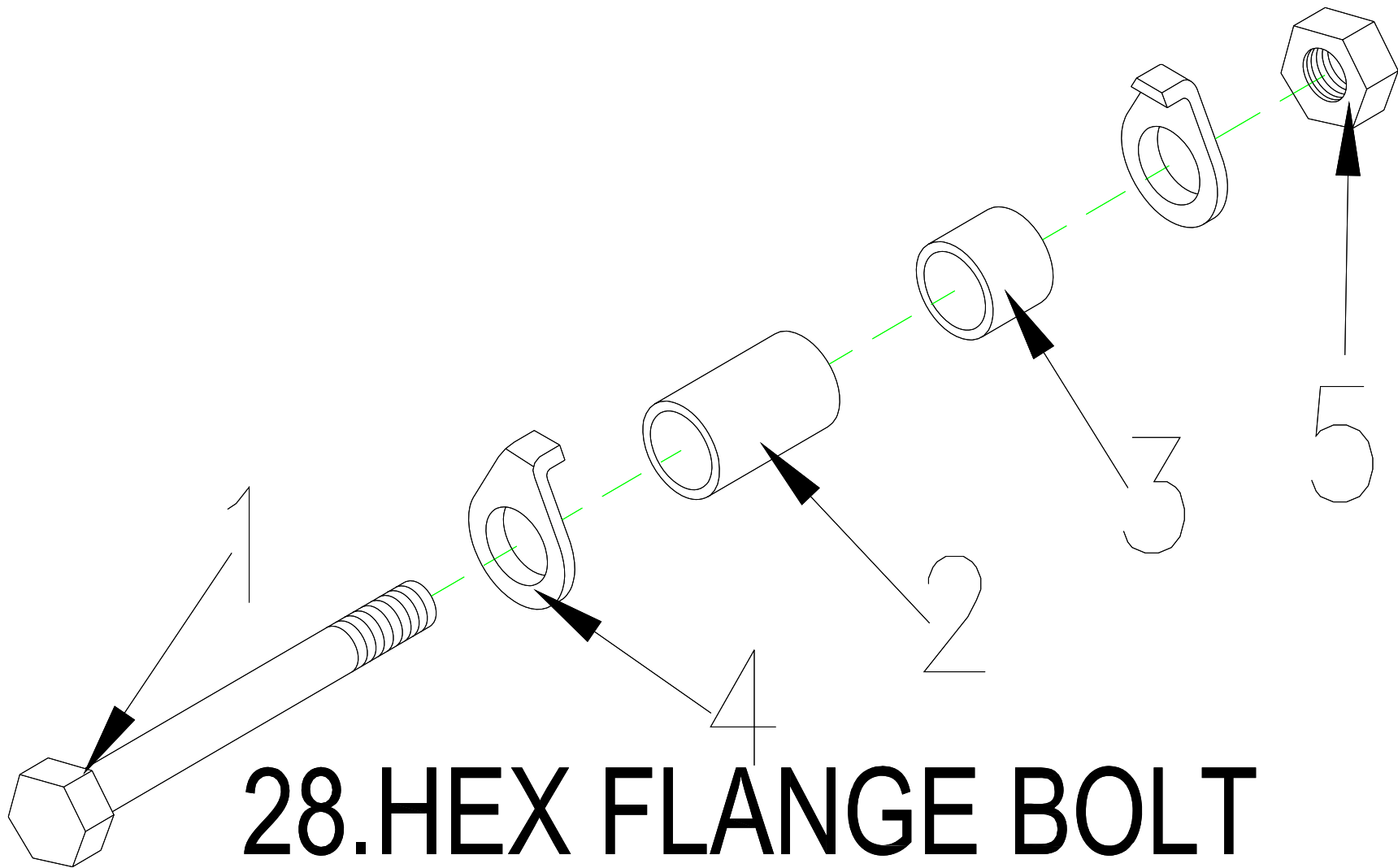
26. MIRROR ASS'Y

Fig&Index NO.	Parts No.	Parts Name	QTY.
		English	
26	C27-001-10100	MIRROR COMP.	1SET
26-1	C37-001-00201	MIRROR , R	1
26-2	C37-001-00300	MIRROR , L	1

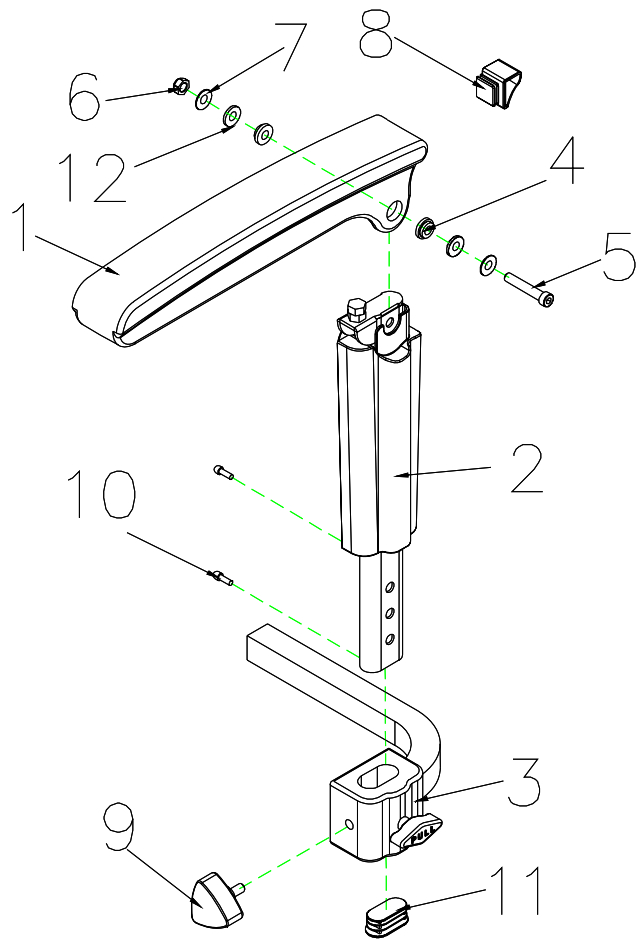


27.COVER , CONTROLER

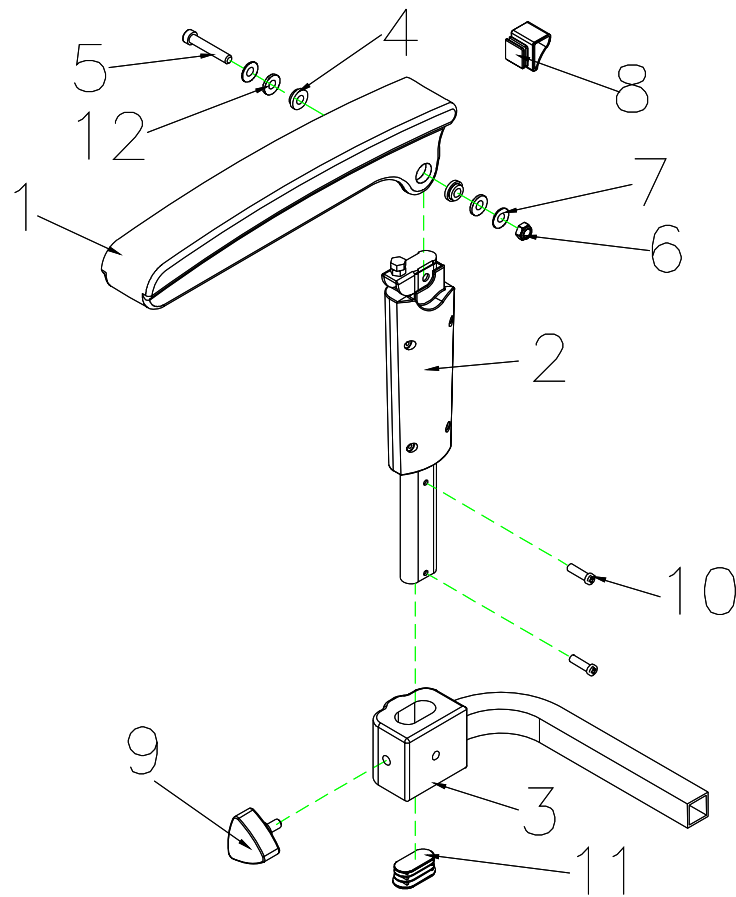
Fig&Index NO.	Parts No.	Parts Name	QTY.
		English	
27	C26-005-00800	COVER CONTROLER	1



Fig&Index NO.	Parts No.	Parts Name	QTY.
		English	
28	S05-042-00100	HEX FLANGE BOLT , M10xP1.5x160L	1SET
28-1	9036101601251	BOLT , M10xP1.5X160L	1
28-2	C02-002-10200	SPACER , Φ 10.5x58L	1
28-3	C02-002-10300	SPACER , Φ 10.5x34L	1
28-4	9213100200192	FRONT FORK WASHER , M10	2
28-5	9201101001252	NUT , M10	1

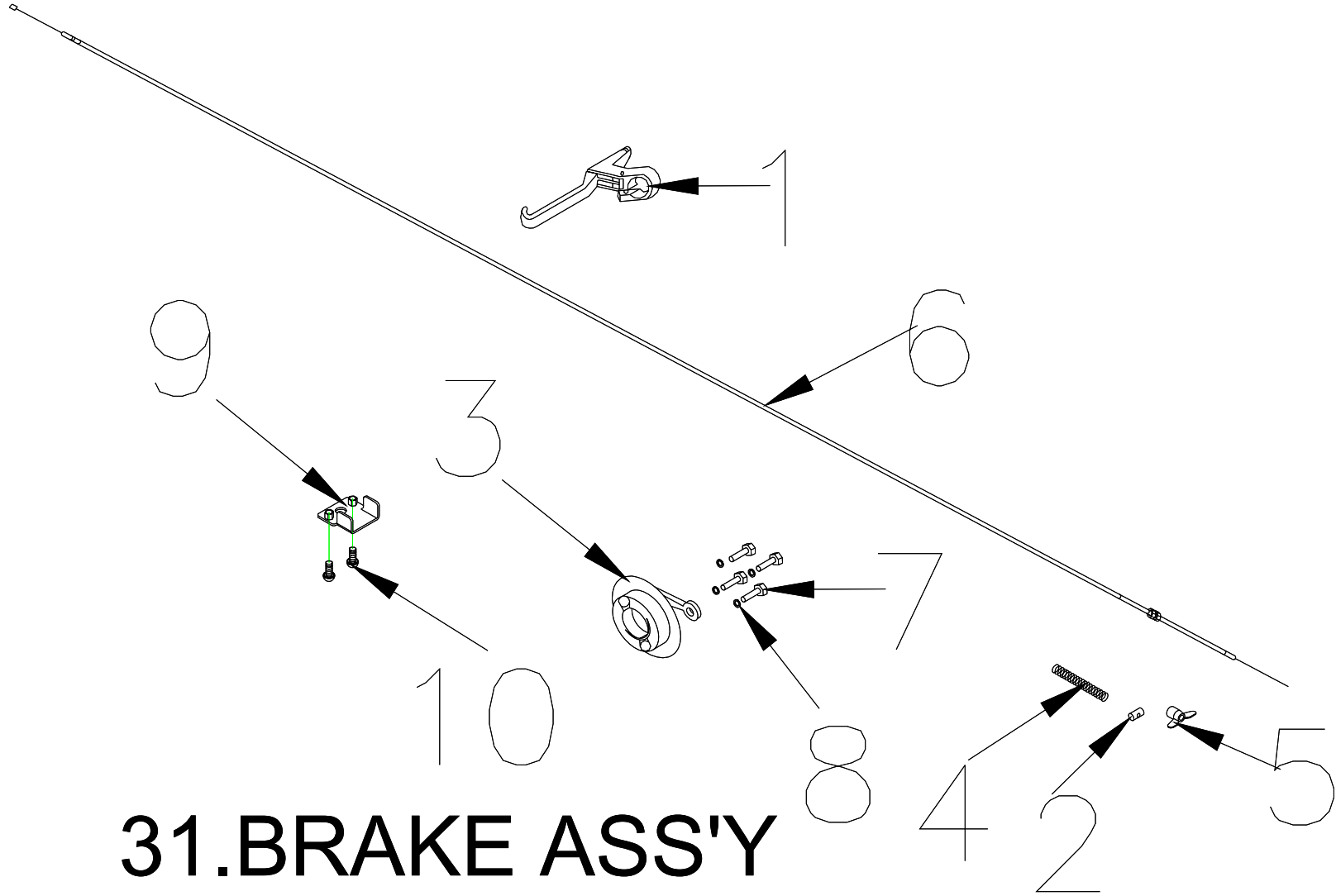


29. ARMREST ASS'Y , L



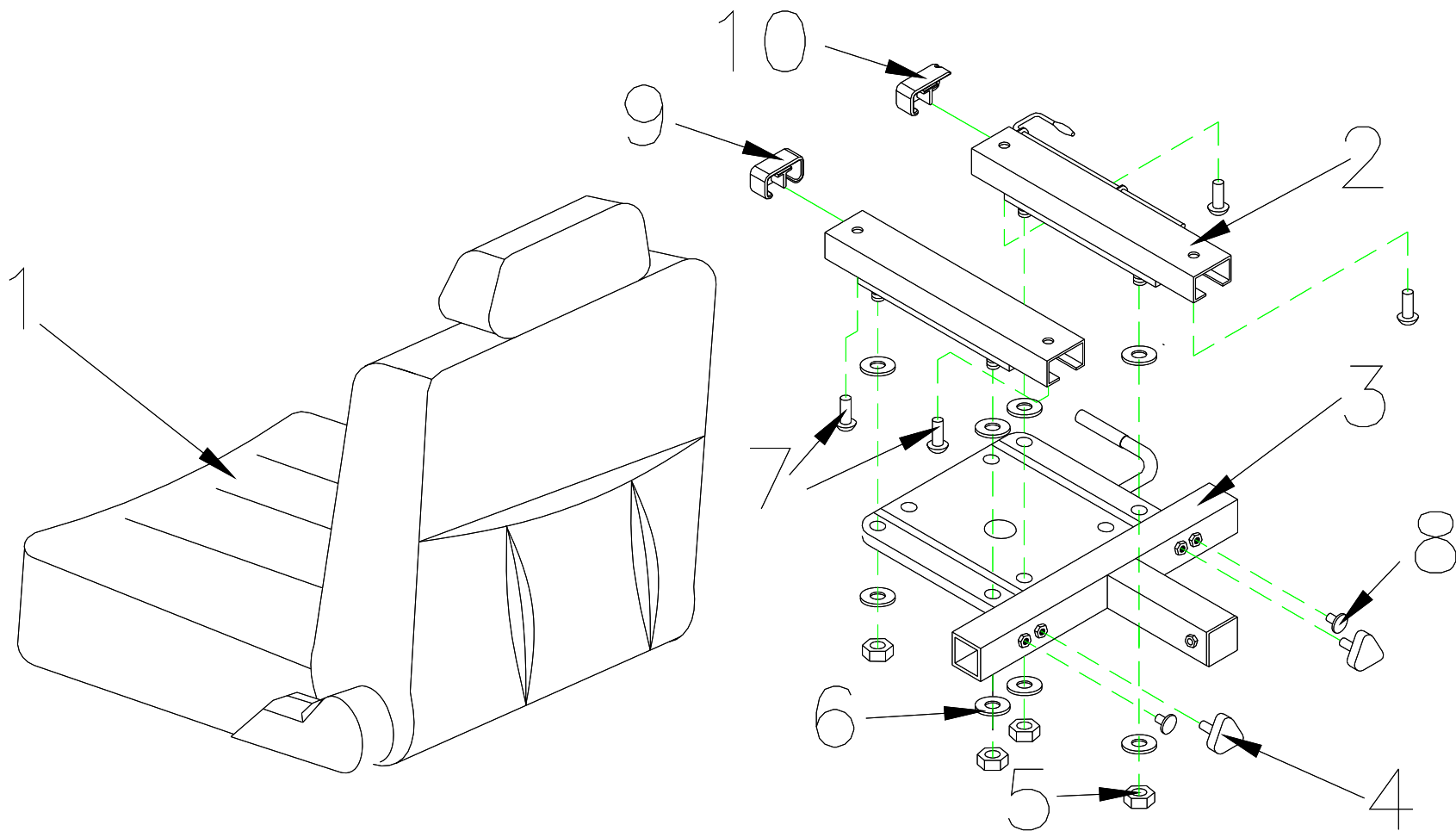
30. ARMREST ASS'Y , R

Fig&Index NO.	Parts No.	Parts Name	QTY.
		English	
29	S07-044-00100	ARMREST , ADJUSTABLE , L , W/I COVER	1
29-1	C07-044-00501	ARMREST , UPPER	1
29-2	C07-044-00702	ARMREST ,LOWER, L	1
29-3	C07-044-02200	ARMREST ADJUSTMENT BASE	1
29-4	C07-044-01700	WASHER , 8mm	2
29-5	9032080501253	HEXAGON BOLT , M8x40	1
29-6	9206081251252	LOCK NUT , M8x1.25	1
29-7	9214080100163	WASHER , M8	2
29-8	C07-044-00600	PLUG	1
29-9	C30-001-10201	BOLT,W/I KNOB , M8x20	1
29-10	9004040120703	BOLT , M4X12	2
29-11	C07-044-01800	PLUG-OB2040C	1
29-12	C05-017-00600	SPACER ψ 8.1X ψ 11X3T	2
30	S07-044-00700	ARMREST , ADJUSTABLE , R , W/I COVER	1
30-1	C07-044-00501	ARMREST , UPPER	1
30-2	C07-044-00802	ARMREST ,LOWER, R	1
30-3	C07-044-02200	LOCK NUT , M8x1.25	1
30-4	C07-044-01700	WASHER , 8mm	2
30-5	9032080501253	HEXAGON BOLT , M8x40	1
30-6	9206081251252	LOCK NUT , M8x1.25	1
30-7	9214080100163	WASHER , M8	2
30-8	C07-044-00600	PLUG	1
30-9	C30-001-10201	BOLT,W/I KNOB , M8x20	2
30-10	9004040120703	BOLT , M4X12	2
30-11	C07-044-01800	PLUG-OB2040C	1
30-12	C05-017-00600	SPACER ψ 8.1X ψ 11X3T	2



31.BRAKE ASS'Y

Fig&Index NO.	Parts No.	Parts Name	QTY.
		English	
31	S35-051-00100	BRAKE ASS'Y	1SET
31-1	C35-045-00300	LEVER , BRAKE	1
31-2	C35-005-00500	PIN , BRAKE	1
31-3	C06-005-00301	COVER BRAKE,REAR	1
31-4	C35-005-00401	SPRING , BRAKE	1
31-5	C35-005-01000	NUT , BRAKE	1
31-6	C35-051-00100	CABLE , BRAKE	1
31-7	9002060101003	BOLT , M6x10	4
31-8	9211060150102	SPRING WASHER , M6	4
31-9	C35-051-00200	HOLDER , BRAKE	1
31-10	9004050200804	BOLT , M5x20L	2



32.SEAT ASS'Y

Fig&Index NO.	Parts No.	Parts Name	QTY.
		English	
32	S07-051-00100	SEAT ASS'Y	1SET
32-1	C07-051-00101	SEAT	1
32-2	C07-016-00600	SLIDER , 150mm	1SET
32-3	C07-005-02900	SEAT PLATE	1
32-4	C30-001-10201	BOLT,W/I KNOB , M8x20	2
32-5	9201080801252	LOCK NUT , M8x1.25	4
32-6	9214080150232	WASHER , 5/16	4
32-7	9032080101251	BOLT , M8x10L	4
32-8	C26-001-00601	PLUG	2
32-9	C26-003-00200	PLUG	1
32-10	C26-003-00300	PLUG	1

Fig&Index NO.	Parts No.	Parts Name	QTY.
		English	
33-1	C23-001-10300	BASKET	1
33-2	C37-051-00100	OWNER'S MANUAL , BE 01	1
33-3	C99-052-00100	CARTON , BE 01	1
33-4	C99-051-00200	SEAT CARTON , BE 01	1

Fig&Index NO.	Parts No.	Parts Name	QTY.
		English	
34-1	S27-052-00200	LABEL SET , FRONT SHROUD	1SET
34-1-1	C27-052-00100	LABEL , BRAND , BE 01	1
34-1-2	C31-001-00200	VELCRO STRIP,LOOP,45	2
34-1-3	C31-001-00100	VELCRO STRIP,HOOK,45	2
34-2	S27-052-00100	LABEL SET , SHROUD	1SET
34-2-1	C08-029-00501	DAMAGE PROOF PIECE	2
34-2-2	9906065000000	PIN ,M6.5	4
34-2-3	C26-047-00101	FOOTREST PAD , L	1
34-2-4	C26-047-00201	FOOTREST PAD , R	1
34-2-5	9029040120002	BOLT M4x12L	6
34-2-6	C31-001-00200	VELCRO STRIP,LOOP,45	4
34-2-7	C31-001-00100	VELCRO STRIP,HOOK,45	8
34-2-8	C31-016-00200	VELCRO STRIP,LOOP,80	2
34-3	S27-051-00100	LABEL SET , BATTERY COVER	1SET
34-3-1	C24-001-00300	REFLECTOR , YELLOW	2
34-3-2	C27-009-01700	LABEL , EMI	1
34-3-3	C27-001-10700	LABEL , ELECTROMAGNETISM	1
34-3-4	C27-001-00200	LABEL , CE , 30x23mm	1
34-3-5	C31-010-00100	VELCRO STRIP,LOOP,125	1
34-3-6	C31-010-00200	VELCRO STRIP,HOOK,125	1
34-4	S27-052-00300	LABEL SET , REAR SHROUD , BE 01	1SET
34-4-1	C27-001-01900	LABEL , NEVER LIFT UP	1
34-4-2	C27-001-00801	LABEL , FREEWHEEL-ENGAGED	1
34-4-3	C27-052-00200	LABEL , BRAND , BE 01	1
34-4-4	C27-034-01900	LABEL , LOGO , BE 01	1
34-4-5	C24-051-00100	REFLECTOR , RED	1

34-4-6	C31-001-00100	VELCRO STRIP,HOOK,45	2
34-4-7	C31-016-00200	VELCRO STRIP,LOOP,80	2
34-4-8	C31-010-00100	VELCRO STRIP,LOOP,125	1
34-4-9	C31-010-00200	VELCRO STRIP,HOOK,125	1