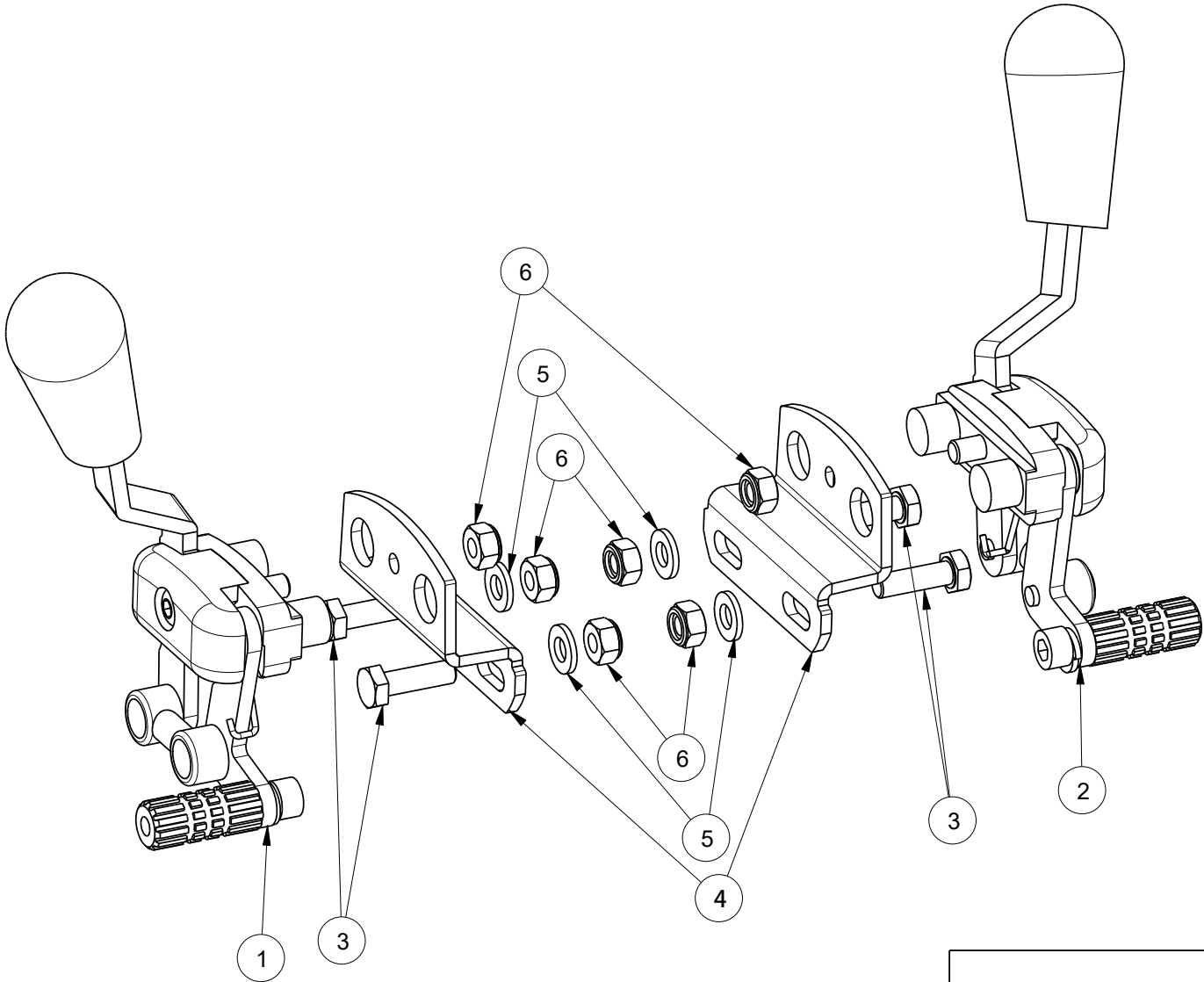


Material			
No.	Plan	Article	Number
1	EC00209	3991532	1
2	EC00210	3991533	1
3	---	1001429	4
4	YC01973	1C70954	2
5	---	1001564	4
6	---	1001680	6



EC00379/B

<b>BRAKE FOR 9300</b>				Plan No.
				EC00379/B
Scale:3:5	Drafted	Verified	Confirmed	
Date	25/11/2016	25/11/2016	25/11/2016	
Init.	SL	JJQ	TG	