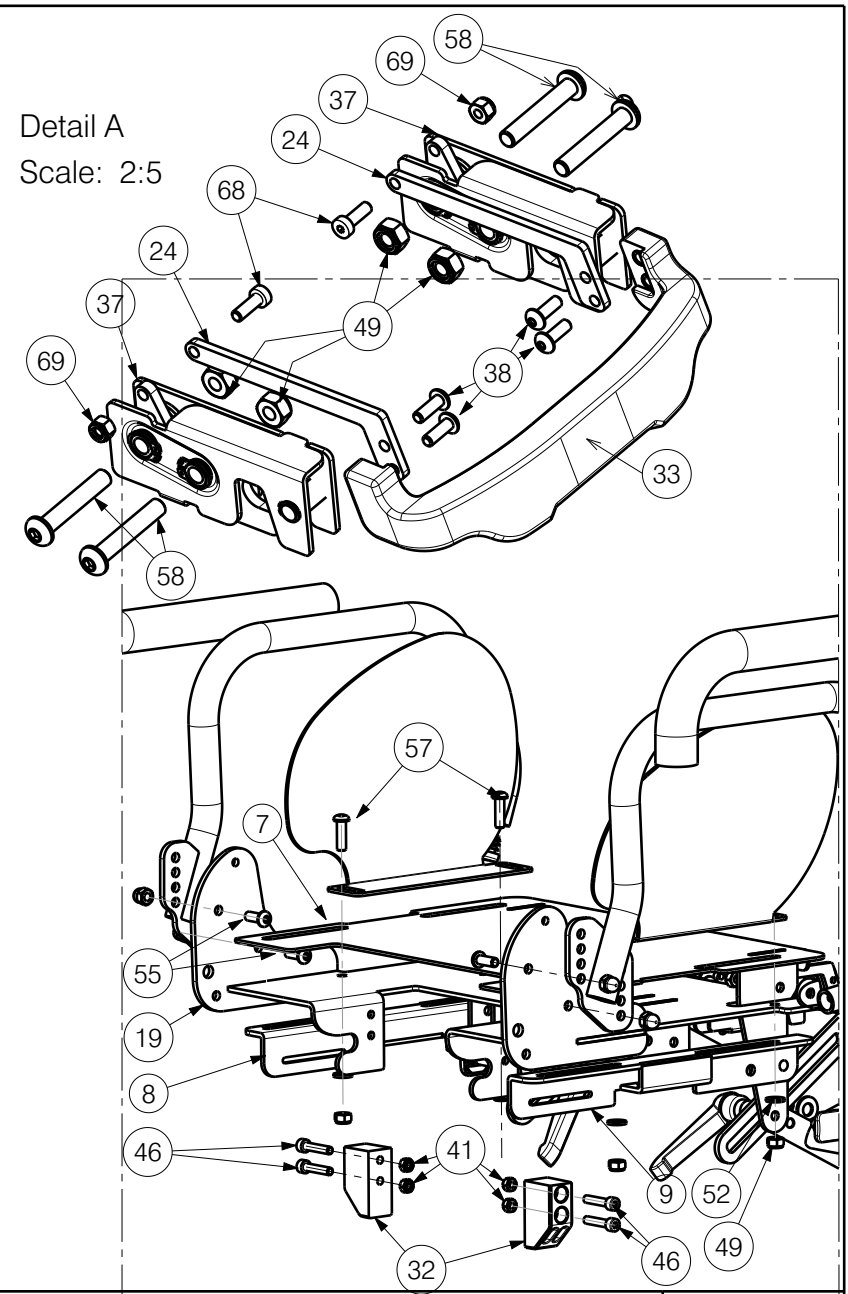


Detail A
Scale: 2:5



EP00527 / J

SEAT FRAME GEMINI 2020 32				- Plan No. _____
				EP00527 / J
Scale: 1:5	Drafted	Verified	Confirmed	
Date	07/12/2020	13/11/2023	13/11/2023	
Initials	OY	PM	AZ	

Material				Material				Material			
No.	Plan	Article	Quantity	No.	Plan	Article	Quantity	No.	Plan	Article	Quantity
1	YP00485	1814354	1	32	XP02997	2996618	2	64	YP04259	2853154	2
2	YP09316	2643954	2	33	XP03079	2996655	1	65	YP04295	2853054	2
3	YP00511	1815354	2	34	X000586	1005742	6	66	---	2991056	8
4	YP00564	1816554	1	35	X002396	1003675	2	67	---	2991057	8
5	YP00566	1816254	1	36	X003698	1004550	2	68	---	2994901	2
6	YP04264	2852254	1	37	Rotary Latch	EP00517	2	69	---	1907582	2
7	YP09328	2644154	1	38	M4x6 ISO 7380	2994903	4	70	---	1003299	0,85m
8	YP04286	2850254	1	39	Rivet 4x14	1001584	12	71*	U63	E000248	1
9	YP04287	2850354	1	40	M5 DIN 125	2994069	4	72	---	1991107	1
10	YP04309	2851254	1	41	M5 DIN 985	2994006	6				
11	YP04312	2852054	1	42	M5 DIN 986	2994902	2				
12	---	---	-	43	---	---	-				
13	YP04551	2868954	1	44	M5X16 DIN 7991	2994904	4				
14	YP04552	2869054	1	45	M5x20 DIN 7981	2994905	4				
15	YP04585	2869154	1	46	M5x25 DIN 912	2994906	4				
16	YP04586	2869254	1	47	M5x45 DIN 7991	2994907	2				
17	YP04637	2872054	1	48	Rivet 5x20	1003897	2				
18	YP09366	2645854	1	49	M6 DIN 985	2994063	10				
19	YP08254	2612154	1	50	M6 DIN 986	2994059	8				
20	YP08461	2616754	1	51	M6 DIN 125	2994414	2				
21	YP08462	2616854	1	52	M6 DIN 125 PVC	2994415	10				
22	YP04263	2852154	1	53	M6 DIN 9021 PVC	2994908	4				
23	YP04601	2883354	1	54	M6 DIN 315	2994909	2				
24	YP08484	2617554	2	55	M6x16 ISO 7380	2994067	8				
25	XP00099	2990067	4	56	---	---	-				
26	XP00124	1823700	1	57	M6x20 ISO 7380	2994910	4				
27	XP00140	2990097	4	58	M6x35 ISO 7380	2994131	8				
28	XP00223	2990144	4	59	M6 Handle	1996843	2				
29	---	---	-	60	---	2990086	2				
30	XP01127	2990164	2	61	HANDLE M6X15	1009933	1				
31	---	---	-	62	---	2990099	2				
				63	Cap D16	1001598	2				

*optional

EP00527 / J	SEAT FRAME GEMINI 2020 32				Plan No.
					EP00527 / J
	Scale: 1:5	Drafted	Verified	Confirmed	
	Date	07/12/2020	13/11/2023	13/11/2023	
Initials	OY	PM	AZ		