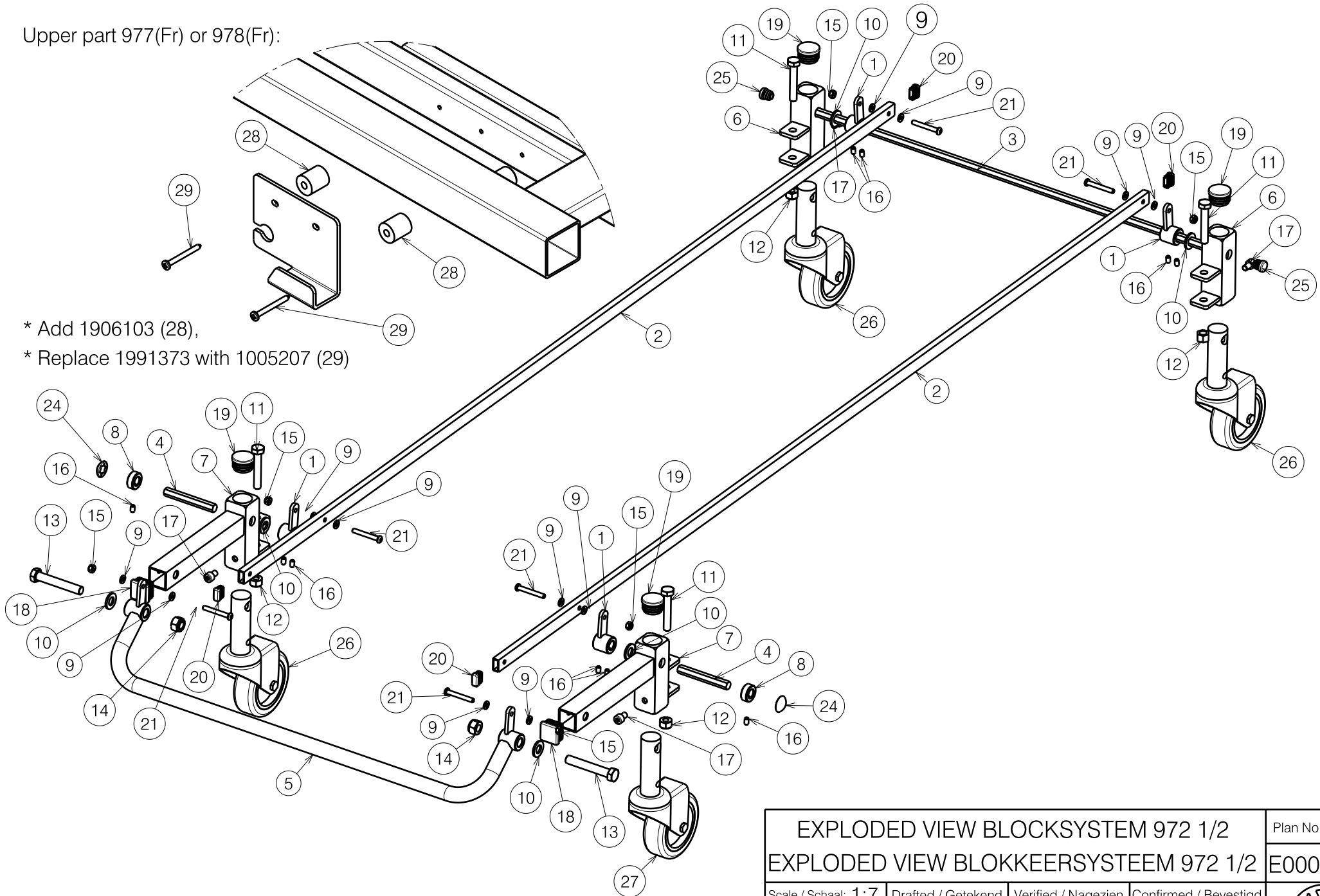


Upper part 977(Fr) or 978(Fr):



\* Add 1906103 (28),

\* Replace 1991373 with 1005207 (29)

EXPLODED VIEW BLOCKSYSTEM 972 1/2				Plan No. / Plannr.
EXPLODED VIEW BLOKKEERSYSTEEM 972 1/2				E000151/F
Scale / Schaal: 1:7	Drafted / Getekend	Verified / Nagezien	Confirmed / Bevestigd	
Date / Datum	10/05/2011	06/09/2011	06/09/2011	
Init. / Init.	TT	SV	PJ	

Material / Materiaal				Material / Materiaal			
No. / Nr.	Plan / Plan	Article / Artikel	Number / Aantal	No. / Nr.	Plan / Plan	Article / Artikel	Number / Aantal
1	Y005947	15619..	4	21	---	1991017	6
2	Y005949	15620..	2	22			
3	Y005950	15621..	1	23			
4	Y005951	15622..	2	24	---	1003783	2
5	Y005953	15623..	1	25	---	1001598	2
6	Y005954	15624..	2	26	---	1010003	3
7	Y005955	15625..	2	27	---	1907189	1
8	X002897	15617..	2	28	X004805	1906103	8
9	---	1000973	12	29	---	1005207	2
10	---	1993362	6				
11	---	1003910	4				
12	---	1001683	4				
13	---	1009991	2				
14	---	1001684	2				
15	---	1001680	6				
16	---	1005949	10				
17	---	1008963	4				
18	---	1003198	2				
19	---	1001610	4				
20	---	1001621	4				

EXPLODED VIEW BLOCKSYSTEM 972 2/2				Plan No. / Plannr.
EXPLODED VIEW BLOKKEERSYSTEEM 972 2/2				E000151/F
Scale / Schaal: 1:7	Drafted / Getekend	Verified / Nagezien	Confirmed / Bevestigd	
Date / Datum	10/05/2011	06/09/2011	06/09/2011	
Init. / Init.	TT	SV	PJ	