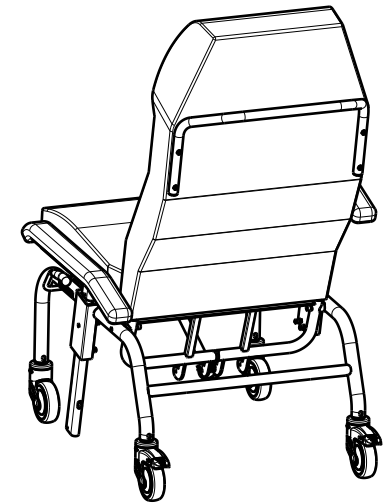
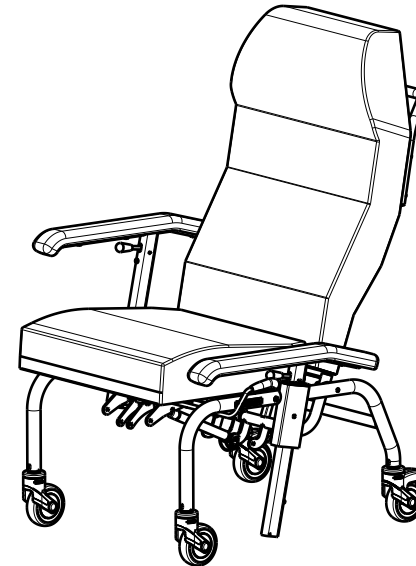
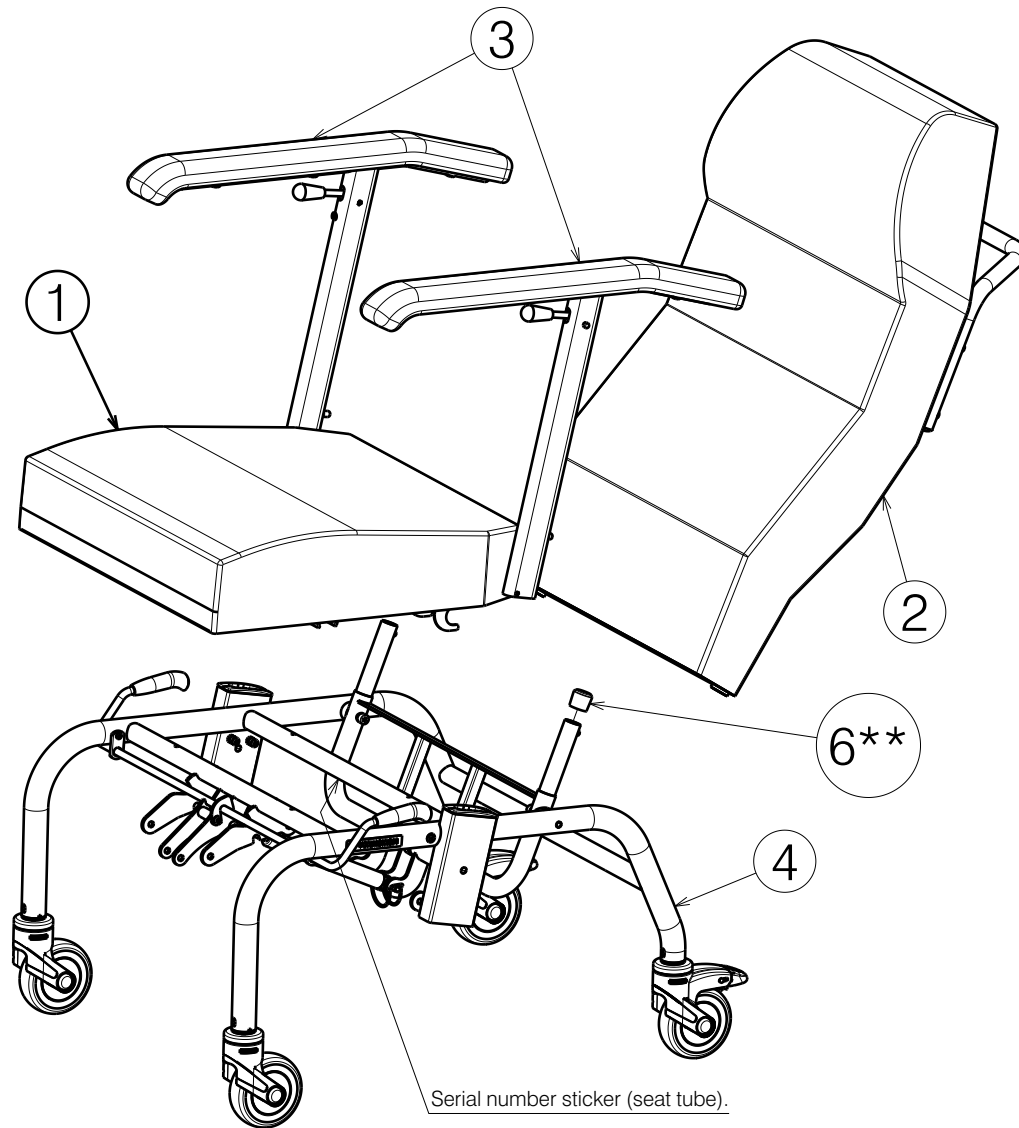


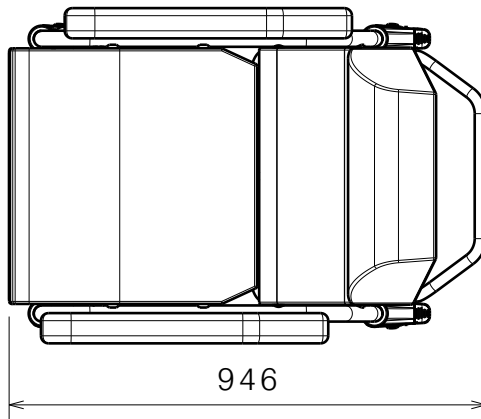
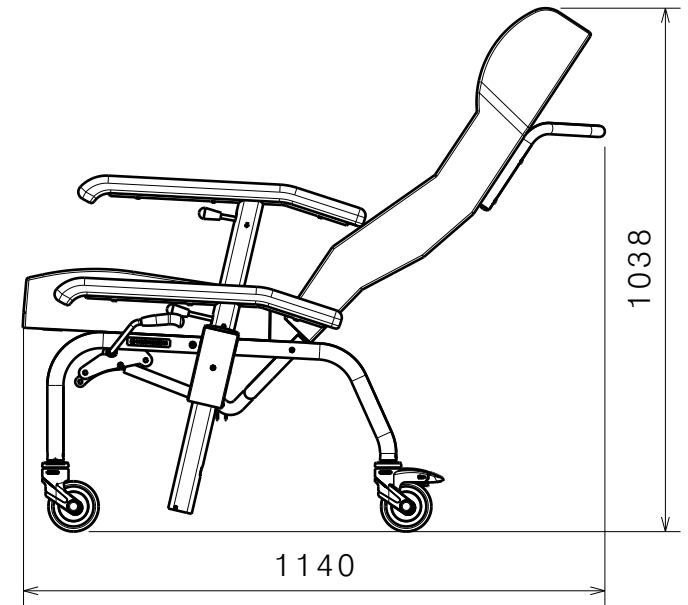
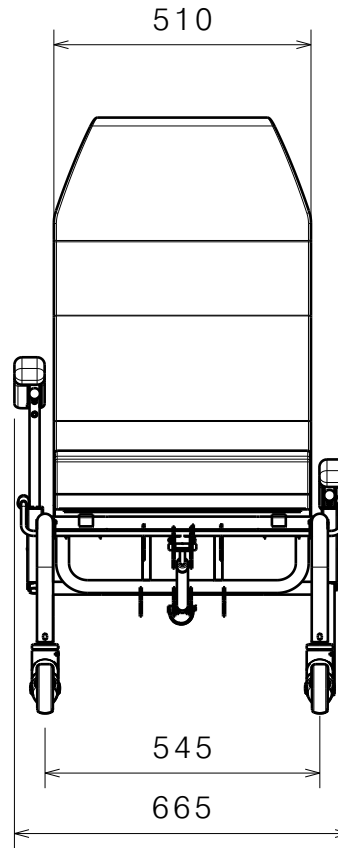
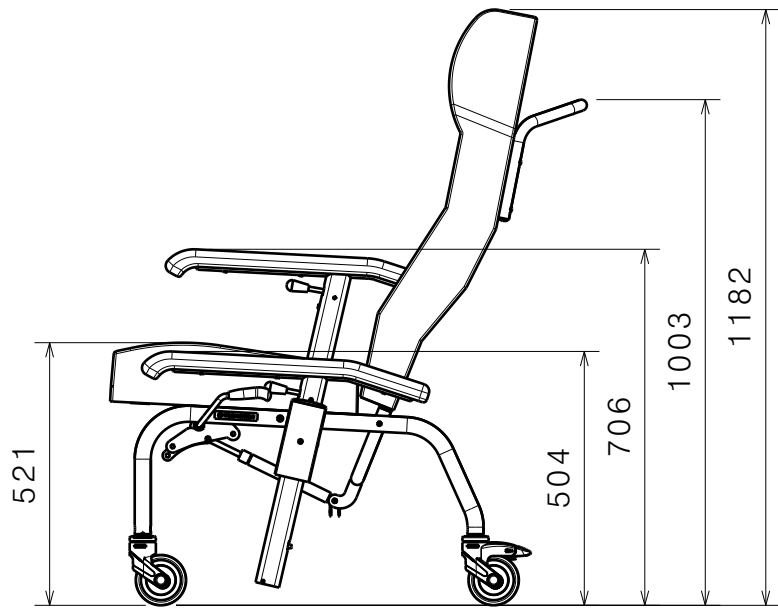
Material			
No.	Plan	Article	Quantity
1	EP00531	2994887	1
2	EP00532	2994888	1
3	EP00534	2994890	1
4	EP00565	2994991	1
5*	XP03295	U000434	1
6**	Cap D22	1001625	2



EP00566 / H

* - not depicted;
 ** - use only in transport to protect upholstery - see packing instruction;
 *** - SOP: S-BE.90.03 - packing instruction.

SPECIFICATION / LANGUEDOC WITH WHEELS 2020				Plan No.
Scale: 1:10	Drafted	Verified	Confirmed	1/2 EP00566/ H
Date	03/02/2021	07/08/2023	07/08/2023	
Initials	AZ	AZ	TK	



EP00566 / H

SPECIFICATION / LANGUEDOC WITH WHEELS 2020				Plan No.
				2/2 EP00566/ H
Scale: 1:15	Drafted	Verified	Confirmed	
Date	03/02/2021	07/08/2023	07/08/2023	
Initials	AZ	AZ	TK	