
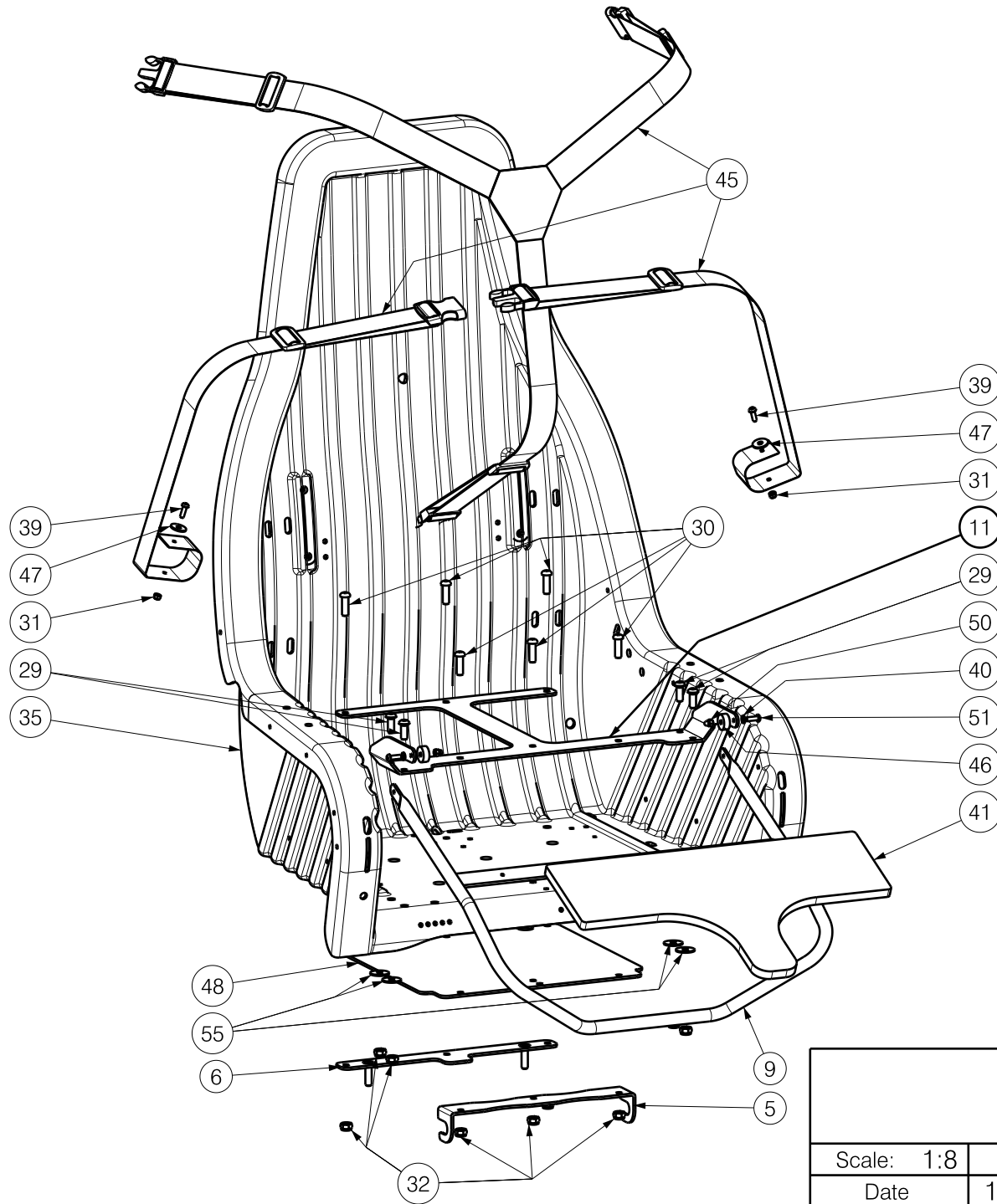


EP00339 replaces old EP00109
 / EP00339 zastępuje stara EP00109

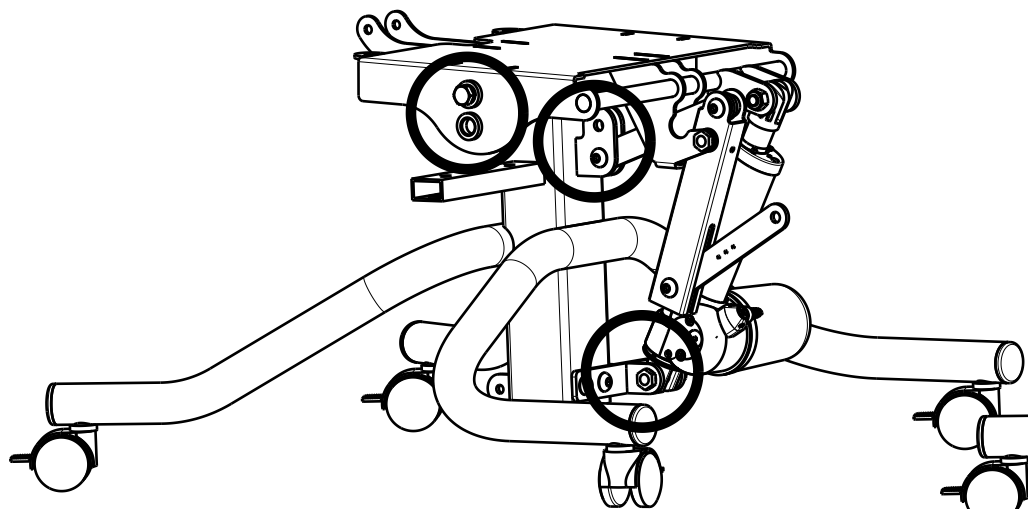
EDEN E				Plan Number
				EP00339/D
Scale: 1:5	Drafted	Verified	Confirmed	
Date	18/03/2013	06/04/2020	06/04/2020	
Initials	DR	PM	TK	



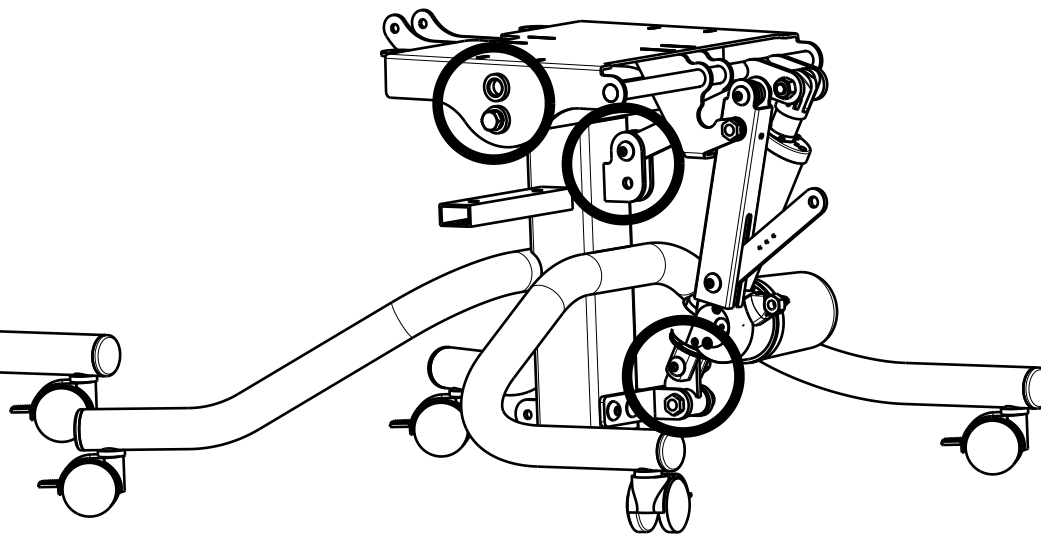
EDEN E			Page 2/4	Plan Number
			EP00339/D	
Scale: 1:8	Drafted	Verified	Confirmed	
Date	18/03/2013	06/04/2020	06/04/2020	
Initials	DR	PM	TK	




Lower position:



Upper position:




EDEN E				Page 3/4	Plan Number
				EP00339/D	
Scale: 1:7	Drafted	Verified	Confirmed		
Date	18/03/2013	06/04/2020	06/04/2020		
Initials	DR	PM	TK		

Material			
No.	Plan	Article	Quantity
1	YP06666_DP	27330	1
2	YP06667	27331	1
3	YP04168	28471	1
4	YP04164	28470	1
5	YP04061	2846700	1
6	YP04386	2851900	1
7	YP04048	28456	1
8	YP04088	28455	1
9	YP04051 (48)	28459	1
	YP04412 (44)	28821	1
	YP04330 (38)	28815	1
10	YP04047	28457	1
11	YP04079 (48)	28468	1
	YP08251 (44)	26120	1
	YP04415 (38)	28822	1
12	YP07936	26023	1
13	-	-	-
14	Washer M5	1005138	1
15	---	1001586	1
16	M8	1001517	2
17	---	1001608	1
18	---	1001570	2
19	XP00782	1909147	1
20	---	G040500	1
21	---	1001453	2
22	---	1001566	2
23	M10X30	2991162	3
24	---	1001683	12
25	M1035	1009442	2
26	M10X53	1551600	3
27	---	1001557	6
28	M10x20	1909007	3
29	M8X20	1992349	4
30	M8x25	1990501	6
31	M5	1001679	2
32	X001016	1001682	10
33	---	2992974	1

Material			
No.	Plan	Article	Quantity
34	---	1908666	4
35	XP01250	2992293	1
36	CAP 38	1001611	4
37	XP01327	2895700	1
38	Timotion	2992973	1
39	M5x16	1006112	2
40	---	1000972	2
41	XP01034(48)	HP00196	1
	XP01078 (44)	HP00210	1
	XP01061(38)	HP00204	1
42	X002029	1991841	4
43	X005000	1767900	2
44	M5x5	1991323	1
45	Set of belts	2991544	1
46	XP00099 (38,44)	2990067	2
47	---	1997328	3
48**	YP04343	28816	1
49	---	2992975	1
50	---	1992804	2
51	M5x16 (48)	1006112	2
	M5x20 (38,44)	1998368	2
52*	Pen D8x40	1992510	1
53*	YP04322	28814	1
54	M10x40	1992592	1
55**	M8 DIN9021	1996574	6
56	---	2992582	1
57	XP01316	2894400	1
58	XP01318	2894100	1
59	---	1001556	1

* Mounted in a higher position

** Not depicted

Page 4/4				Plan Number
EDEN E				EP00339/D
Scale: 1:5	Drafted	Verified	Confirmed	
Date	18/03/2013	06/04/2020	06/04/2020	
Initials	DR	PM	TK	