

NOTICE: THE INFORMATION CONTAINED ON THIS DRAWING IS PROPRIETARY TO VERMEIREN GROUP AND SHALL NOT BE DISCLOSED IN WHOLE OR IN PART, OR USED FOR ANY DESIGN OR MANUFACTURE, EXCEPT WHEN SUCH USER POSSESSES DIRECT WRITTEN AUTHORISATION FROM VERMEIREN GROUP.

Left Side Depicted
Sheet 1/2

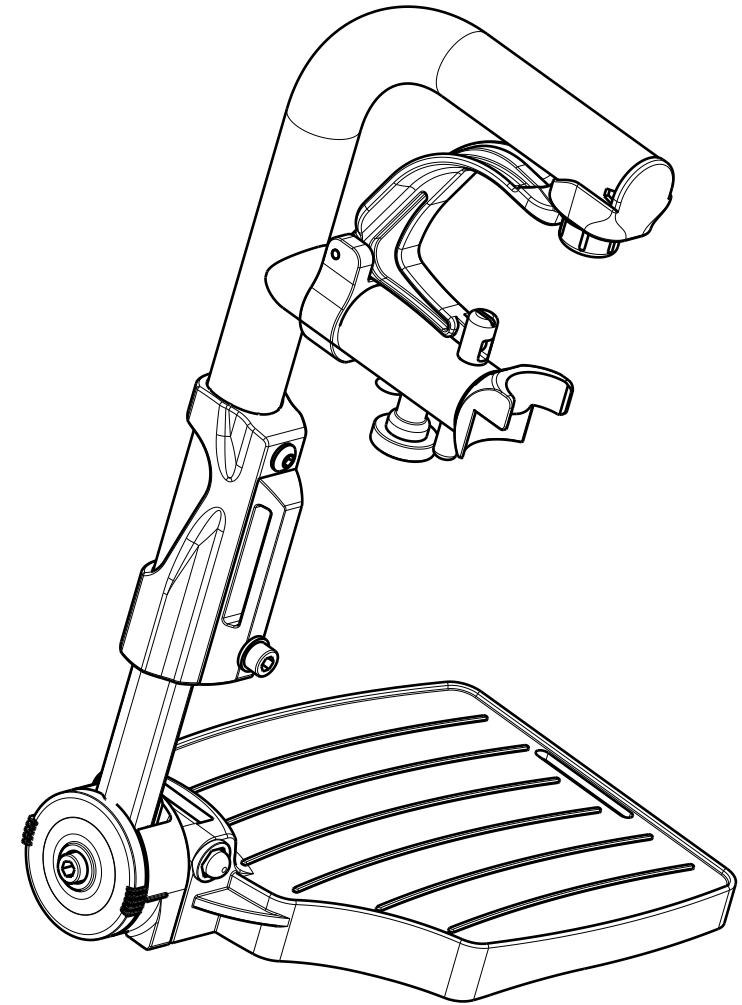
V500 ACTIVE B06 90° FOOTREST				---
				Plan No.
				E00087278/A.1
Scale:	2:5	Drafted	Verified	Confirmed
Date	12/08/2024	02/09/2024	02/09/2024	02/09/2024
Initials	AS	AZ	AS	



Material			
No.	Plan	Article	Qty
1	YP06404	27301	1
2	P00074521	26850..	1
3	P00082368	3994782	1
4	Y016501	1733500	1
5	X004414	1904130	1
6	X004418	1904207	1
7	X004570	1904646 (L) (39-42)	1
	X004571	1904647 (R) (39-42)	1
	X004457	1904475 (L) (44-46)	1
	X004453	1904210 (R) (44-46)	1
	X004572	1904648 (L) (48-60)	1
	X004573	1904649 (R) (48-60)	1
8	X004464	1904212	1
9	X004465	1904213	1
11	X004660	1905195	1
12	X004687	1905639	1
13	XC00142	3990576	1
14	XC00300	3991091	1

Material			
No.	Plan	Article	Qty
15	XC00304	3991093	1
16	XC00305	3991094	1
17	XC00381	3991544	1
18	S-Point 5x25	H016007	1
19	M6x30 ISO7380	1009588	1
20	D3x24 DIN1475	1905640	1
21	---	1905642	1
22	D4x8 DIN7337A	1992805	1
23	M6 DIN986	2994059	1
24	M6 DIN985	1001680	2
25	M6 DIN125A	1001564	1
26	M6x35 DIN912	2994634	1
27	M6x50 DIN912	2995258	1
28	M6x25 DIN912	1001494	1
29	M6x40 DIN912	1003909	1

Quantities are for one side



NOTICE: THE INFORMATION CONTAINED ON THIS DRAWING IS PROPRIETARY TO VERMEIREN GROUP AND SHALL NOT BE DISCLOSED IN WHOLE OR IN PART, OR USED FOR ANY DESIGN OR MANUFACTURE, EXCEPT WHEN SUCH USER POSSESSES DIRECT WRITTEN AUTHORISATION FROM VERMEIREN GROUP.

Sheet 2/2

V500 ACTIVE B06 90° FOOTREST				Plan No.
				E00087278/A.1
Scale: 2:5	Drafted	Verified	Confirmed	
Date	12/08/2024	02/09/2024	02/09/2024	
Initials	AS	AZ	AS	