

Tighten as counternut against 23

G Use glue Weicon AN302-43 (H900009)

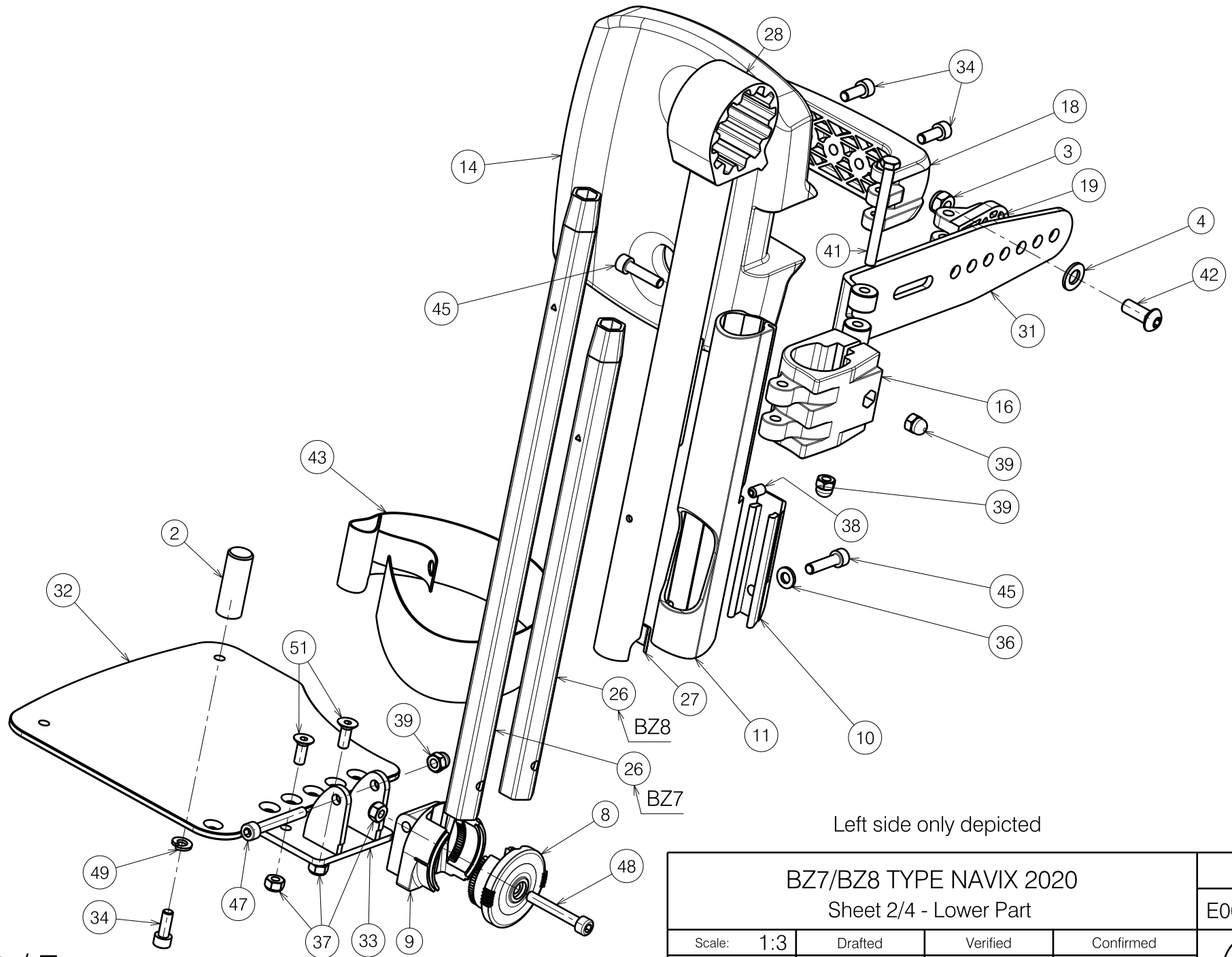
Left side only depicted

2993505

E001074 / E

BZ7/BZ8 TYPE NAVIX 2020				Plan No. E001074 / E
Sheet 1/4 - Upper Part				
Scale:	1:3	Drafted	Verified	Confirmed
Date	17/05/2017	14/10/2020	14/10/2020	14/10/2020
Initials	SD	SD	PJ	





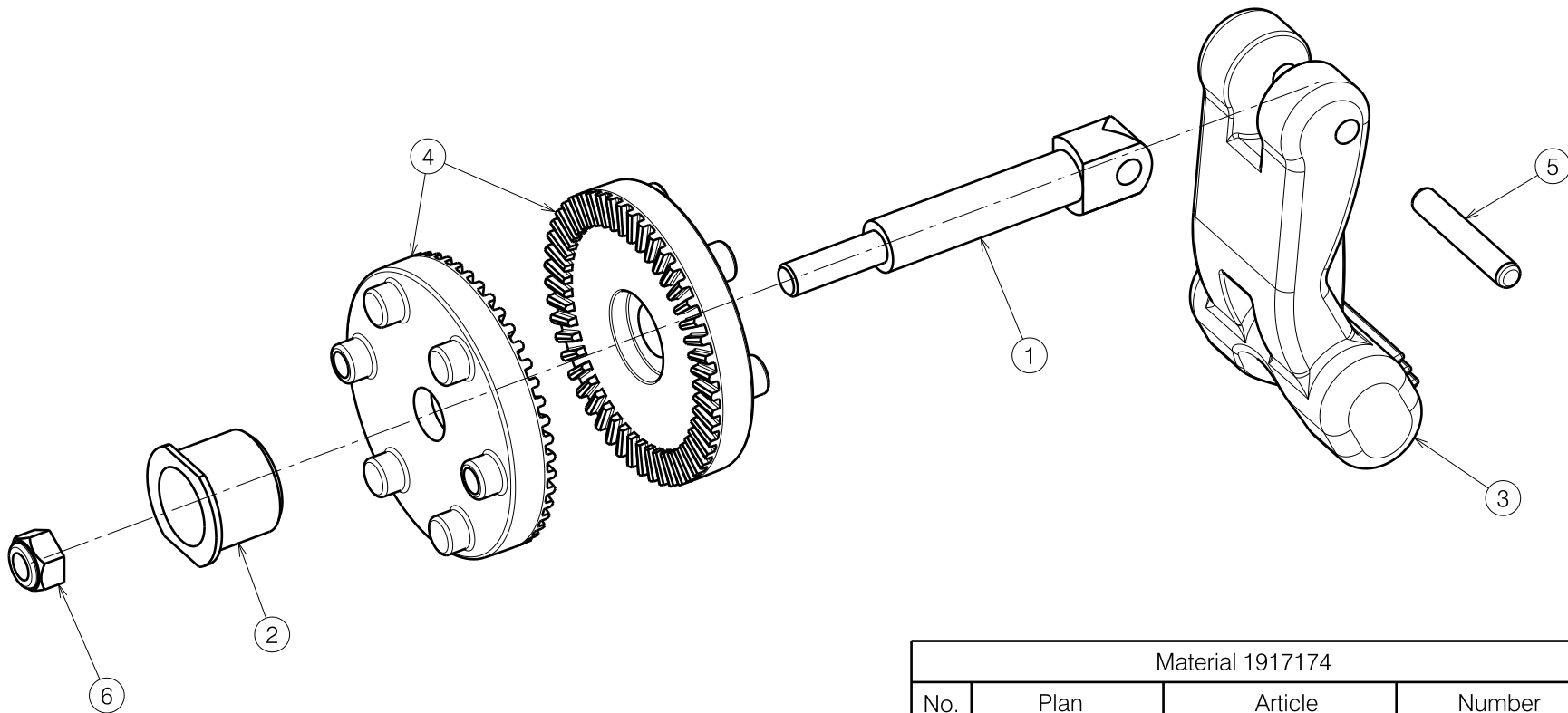
Left side only depicted

2993505

E001074 / E

BZ7/BZ8 TYPE NAVIX 2020				Plan No. E001074 / E
Sheet 2/4 - Lower Part				
Scale:	1:3	Drafted	Verified	Confirmed
Date	17/05/2017	14/10/2020	14/10/2020	
Initials	SD	SD	PJ	





Material 1917174			
No.	Plan	Article	Number
1	X005028	G103900	1
2	X005046	G103800	1
3	X005055	1917169	1
4	X005880	1915832	2
5	G0409	G0409	1
6	1001679	1001679	1

Quantities are for one side

1917174

BZ7/BZ8 TYPE NAVIX 2020				Plan No. E001074 / E
Sheet 3/4 - Replacement kit				
Scale: 1:3	Drafted	Verified	Confirmed	
Date	17/05/2017	14/10/2020	14/10/2020	
Initials	SD	SD	PJ	


E001074 / E

Material							
No.	Plan	Article	Quantity	No.	Plan	Article	Quantity
1	X000227	1465200	2	29	Y017333	1749554 (L)	1
2	X000340	1002062	1		Y017310	1749654 (R)	1
3	X001016	1001682	1	30	Y020947	2008854 (L)	1
4	X001119	1001554	1		Y020952	2008954 (R)	1
5	X002126	1992429	1	31	Y020995	2009154	1
6	X002169	1992791	1	32	Y020998	2009254 (L)	1
7	X004360	G080000	1		Y020999	2009354 (R)	1
8	X004464	1904212	1	33	Y021650	2015254	1
9	X004465	1904213	1	34	M6x16 DIN912	1001492	3
10	X004658	1904968	1	35*	M5 DIN125	1001550	2
11	X004666	1905731	1	36	M6 DIN125	1001564	1
12	X004690	1905735	1	37	M6 DIN985	1001680	3
13A	X004713	1905734	1	38	M6x12 DIN916	1005949	1
13B	Y021864	F007208	0.5	39	M6x12	1008492	5
14	X004733	1905733	1	40	38x20	1906679	1
15	X005880	1915832	2	41	M6x55 DIN931	1991860	1
16	X004739	1905739	1	42	M8x20 ISO7380	1992349	1
17	X004744	1737100	1	43	---	1992802	1
18	X004784	1905950	1	44	M5 DIN986	1992804	1
19	X004787	1905947	1	45	M6x25 DIN912	1001494	2
20	X004795	1905970	2	47	M6x45 DIN912	1003109	1
21	X005025	1772000	1	48	M6x40 DIN912	1003909	1
22	X005028	G103900	1	49	M6 DIN127	1004414	1
23	X005046	G103800	1	51	M6x16 DIN7991	1994752	4
24	X005047	1908420	1	52A	M5x10 DIN7991	1999977	2
25	X005055	1917169	1	52B	Ø3.9x16	1005767	2
26	Y016499	F006269 (BZ8)	1	53	Ø4x24 DIN6325	G0409	1
	Y017321	F006420 (BZ7)	1	54	M5 DIN985	1001679	1
27	Y016501	1733500	1				
28	Y018568	1771754	1				

2993505

Option A: Knee protector PU
Option B: Knee protector gel V40
* Only for option A

Option B complete
E001015 (1912112)

BZ7/BZ8 TYPE NAVIX 2020				Plan No.
Sheet 4/4 - Bill of Material				E001074 / E
Scale: 1:3	Drafted	Verified	Confirmed	
Date	17/05/2017	14/10/2020	14/10/2020	
Initials	SD	SD	PJ	

E001074 / E