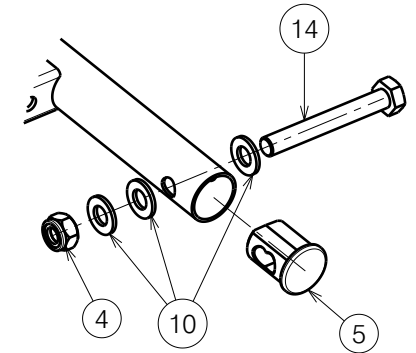
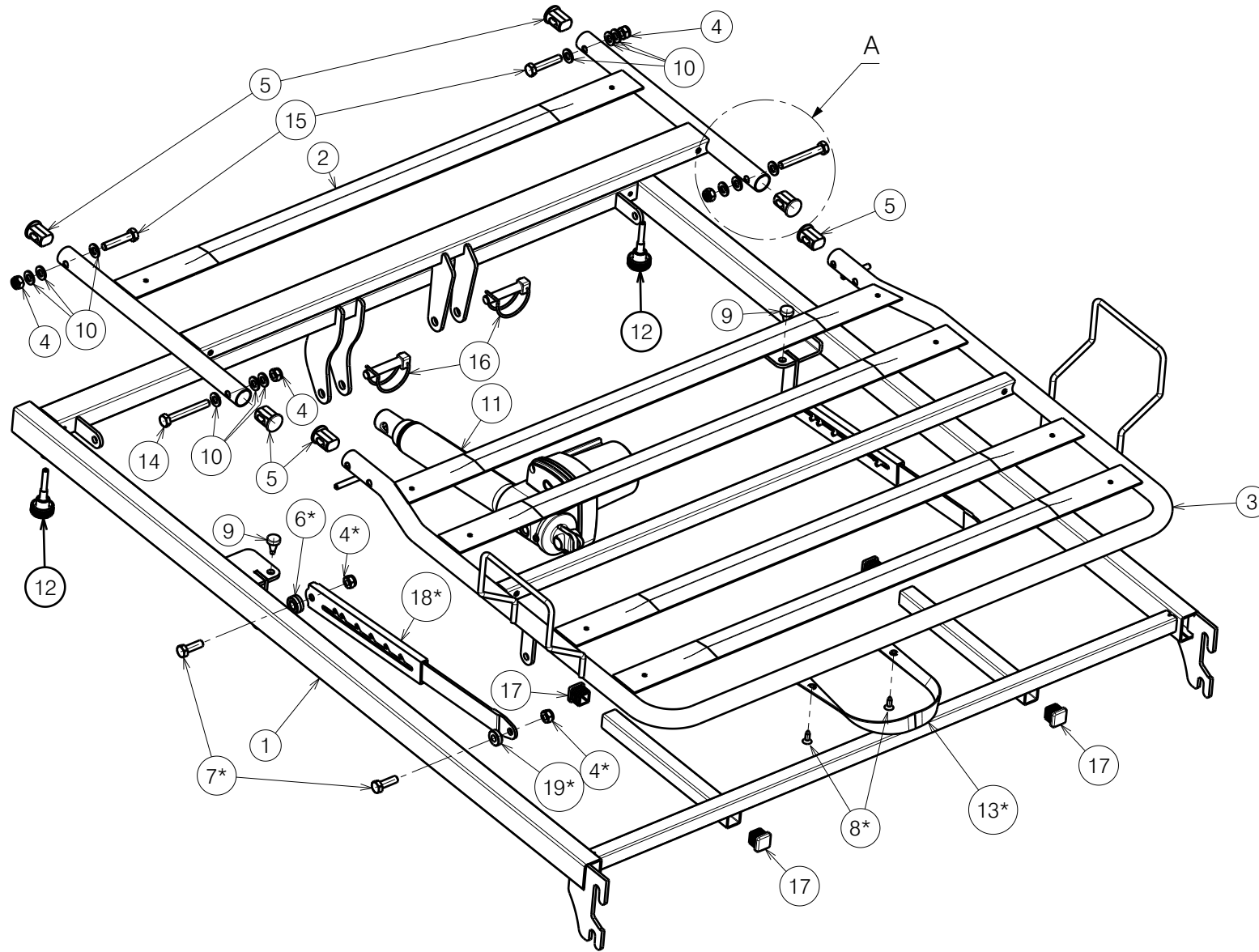


A (1:3)



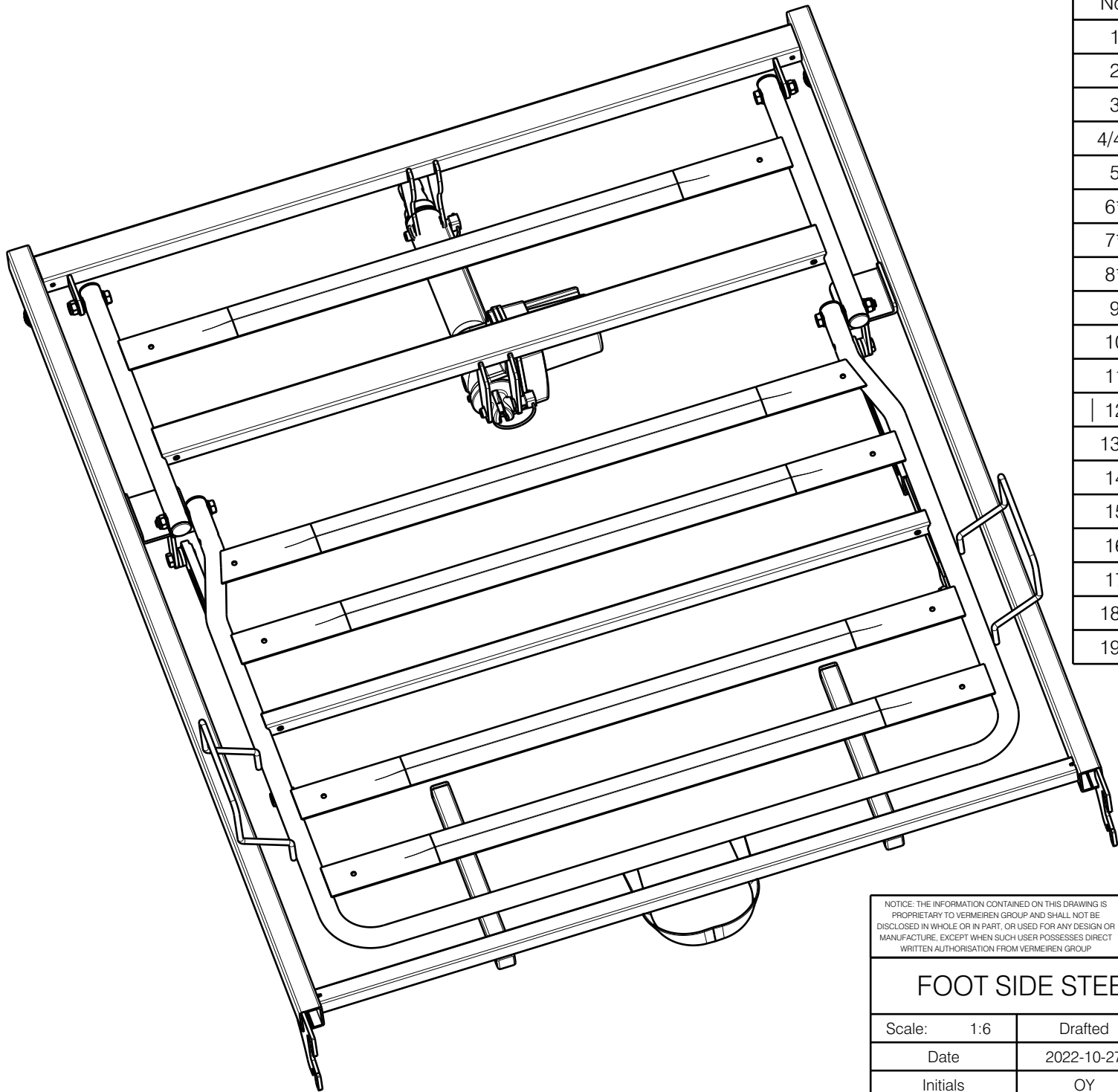
NOTICE: THE INFORMATION CONTAINED ON THIS DRAWING IS PROPRIETARY TO VERMEIREN GROUP AND SHALL NOT BE DISCLOSED IN WHOLE OR IN PART, OR USED FOR ANY DESIGN OR MANUFACTURE, EXCEPT WHEN SUCH USER POSSESSES DIRECT WRITTEN AUTHORISATION FROM VERMEIREN GROUP.

FOOT SIDE STEEL LATHS / CLUB VARIO

1/2

Scale:	1:6	Drafted	Verified	Confirmed
Date	2022-10-27	2023-09-19	2023-09-19	
Initials	OY	OY	AZ	

Plan No. E00046541/C1.1



No.	Plan	Article	Qty
1	P00043637DP	2660337	1
2	P00045770	2661237	1
3	P00045771	2661137	1
4/4*	X001016	1001682	4/8*
5	XP02064	2993688	6
6*	X002480	1993793	2
7*	M8x25 DIN933	1001442	4
8*	D4.8X13 DIN7983	1006072	2
9	---	1001637	2
10	D8,4 DIN125	1003199	12
11	Motor LA24	1918549	1
12	P00058901	2997834	2
13*	P00045881	2997529	1
14	M8x60 DIN931	2993704	2
15	M8x40 DIN931	2993705	2
16	Pen D10x50	1998885	2
17	Cap 20x20	1001612	4
18*	---	1909002	2
19*	X004967	1908262	2

NOTICE: THE INFORMATION CONTAINED ON THIS DRAWING IS PROPRIETARY TO VERMEIREN GROUP AND SHALL NOT BE DISCLOSED IN WHOLE OR IN PART, OR USED FOR ANY DESIGN OR MANUFACTURE, EXCEPT WHEN SUCH USER POSSESSES DIRECT WRITTEN AUTHORISATION FROM VERMEIREN GROUP.

* - option

FOOT SIDE STEEL LATHS / CLUB VARIO

2/2

Plan No.

E00046541/C1.1

Scale: 1:6

Drafted

Verified

Confirmed

Date

2022-10-27

2023-09-19

2023-09-19

Initials

OY

OY

AZ

