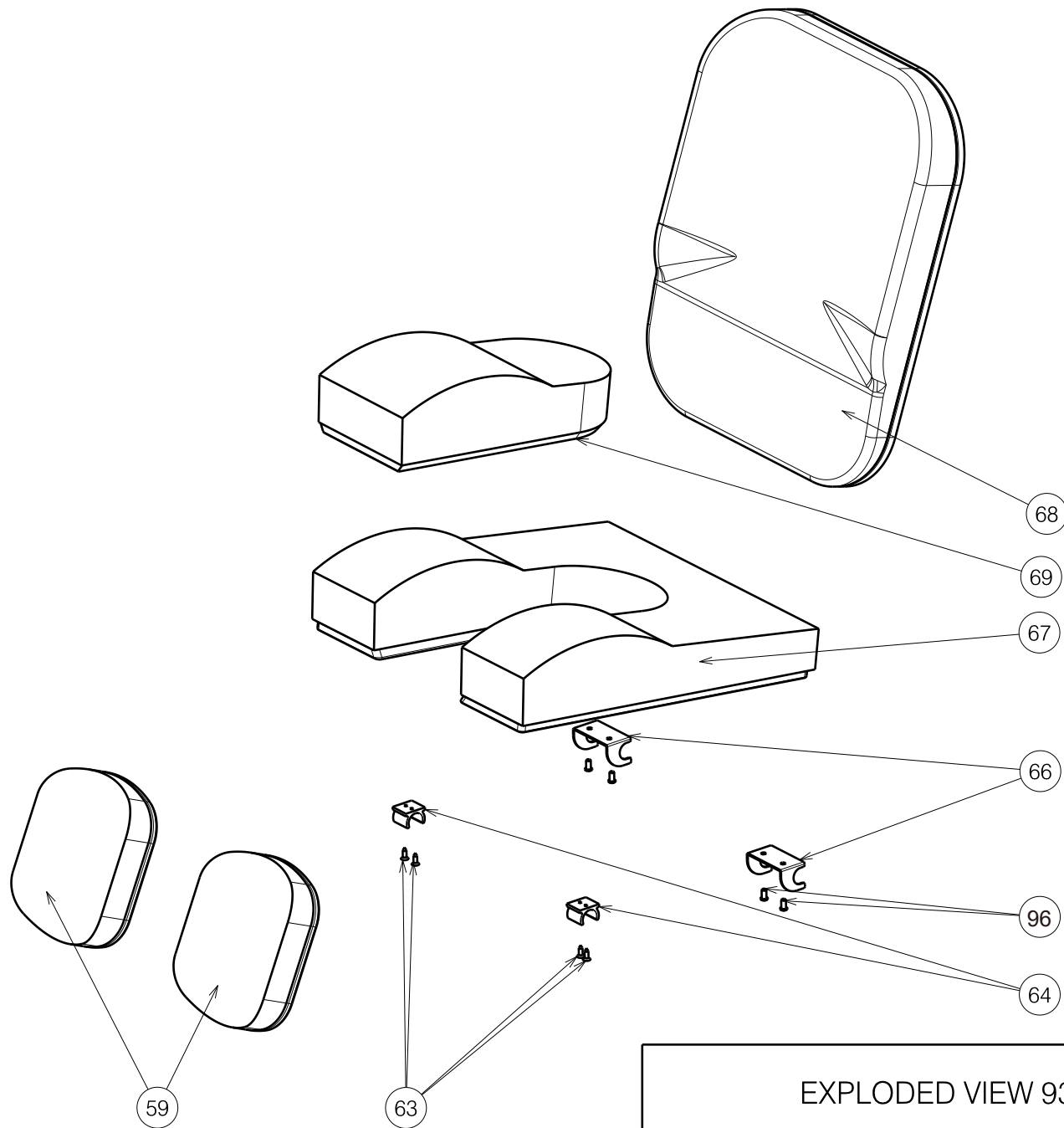


EC00130/D

EXPLODED VIEW 9300 1/3				Plan No.
				EC00130/D
Scale	1:9	Drafted	Verified	Confirmed
Date	09/11/2012	18/11/2015	18/11/2015	18/11/2015
Init.	Lydia	Betty	TG	





EXPLODED VIEW 9300 2/3				Plan No.
Scale	1:8	Drafted	Verified	Confirmed
Date	01/12/2016	01/12/2016	01/12/2016	01/12/2016
Init.	Seven	JJQ	TG	



Material											
No.	Plan	Article	Number	No.	Plan	Article	Number	No.	Plan	Article	Number
1	YP01919DP	18868..(39)	1	35	---	1001680	10	68	XP00486	2990513	1
	YP01920DP	18869..(43)	1	36	---	1002141	2		XP00487	2990514	1
	YP01921DP	18870..(46)	1	37					XP00488	2990515	1
	YP01922DP	18871..(50)	1	38	---	1991017	2		XP00489	2990516	1
	YP01923 DP	18872..(53)	1	39	---	1008492	2		XP00490	2990517	1
2	YP01999	18902..(39)	1	40	X001743	1459300	1	69	XP00480	2990507	1
	YP01437	18630..(43)	1	41	X002130	1992421	1	70	X003889	1901094	2
	YP02000	18903..(46)	1	42	X002131	1992422	1	71	X003892	1901095	2
	YP02001	18904..(50)	1	43	---	1005641	2	72	---	1902842	2
	YP02002	18905..(53)	1	44	---			73			
3	YP01955	18892	1	45	X002163	1488100	2	74			
4	YP01956	18893	1	46	X001742	1459200	1	75			
5	XP00404	1889600	2	47	X002132	1992423	2				
6	YP01951	1890000	2	48	---	1992597	2	76			
7	X000582	1005740	2	49	XP00470	2990499	2	77			
8	X002679	1994452	2	50	X002169	1992791	2	78	D 12,2	1001572	2
9	YP01959	18888	1	51	YP02061	1892300	2	79	M8	1998994	2
10	YP01946	18889	1	52	XP00095	2990045	2	80	M8x45	1998993	2
11	XP00468	2990496	2	53	---	3990142	2	81	X003293	1001626	2
12	---	1990648	8	54	---	3990395	2	82	---	1001684	2
13	---	1003022	4	55	---			83			
14	---	1001598	4	56	M12x50	1990507	2	84			
15	X003573	1004818	2	57	---	1991447	2	85			
16	YP01968	1889800	2	58	---			86*	---	T001025	1
17	---	1001143	2	59	XP00499	2990528	2	87*	---	1901067	1
18	Y003220	14564..	2	60				88*	---	1904066	3
19	Y003225	1456600	2	61				89*	---	T001002	2
20	Y012159	16722	2	62				90*	---	U000231	1
21	---	1008942	2	63				91*	---	U000025	1
22	Y012670	1672404	2	64	XP00469	2990498	2	92*	---	1000044	1
23	---	1006999	4	65	YP02062	1892404	2	93*	---	W620117	1
24	---	1001669	2	66	YP01978	1890154	2	94*	---	W200861	1
25	Y012695	1672300	2	67	XP00481	2990508	1	95*	---	U000132	2
26					XP00482	2990509	1	96	---	1007000	4
27	---	1903394	2		XP00483	2990510	1	97	---	1900365	2
28					XP00484	2990511	1	98	---	1006111	2
29	---	2990070	4		XP00485	2990512	1				
30	X000862	1006463	2								
31	---	2990458	2								
32	---	1001530	6								
33	---	1006057	2								
34	---	1001564	4								

Plan No.

EXPLODED VIEW 9300 3/3

* Not depicted

Scale	1:1	Drafted	Verified	Confirmed
Date	01/12/2016	01/12/2016	01/12/2016	
Init.	Seven	JJQ	TG	

