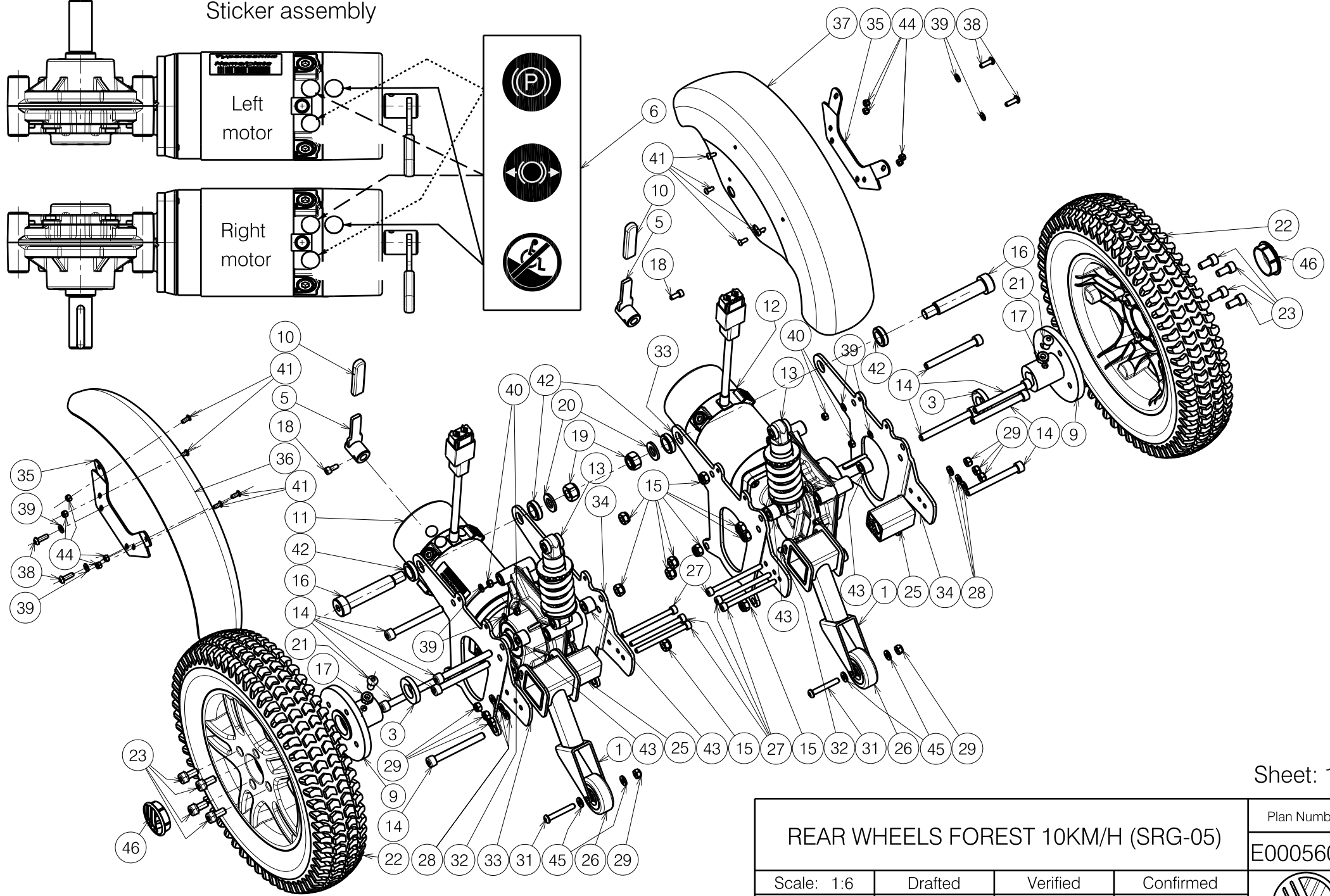
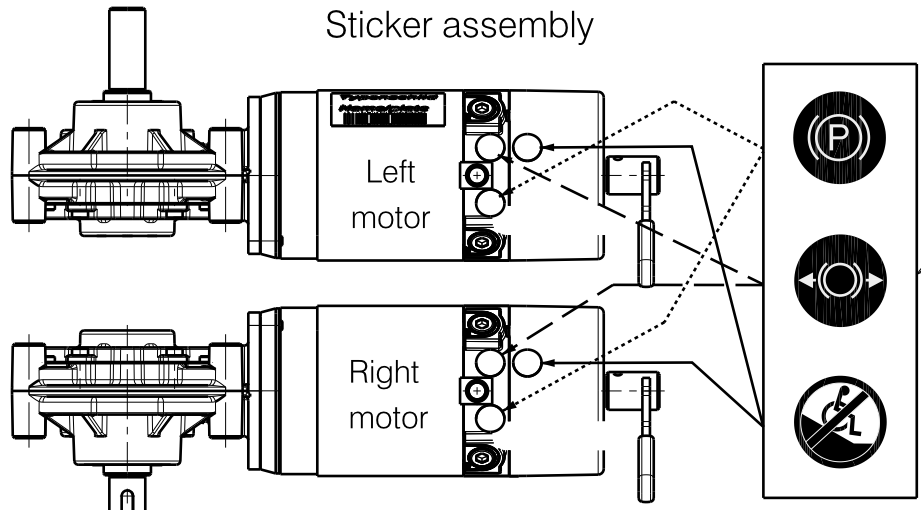


Sticker assembly



Sheet: 1/2

REAR WHEELS FOREST 10KM/H (SRG-05)				Plan Number
				E000560/C
Scale: 1:6	Drafted	Verified	Confirmed	
Date	15/07/2009	27/06/2014	27/06/2014	
Initials	JG	TT	PJ	

Material			
No.	Plan	Article	Quantity
1	YP02054	1891854	2
2	/	/	/
3	Y015149	1722000	2
4	/	/	/
5	Y015177	1734254	2
6	---	1995235	2
7	/	/	/
8	/	/	/
9	X002697	15478..	2
10	---	1007521	1
11	---	1904170	1
12	---	1904171	1
13	---	1999843	2
14	---	1992973	10
15	---	1001682	10
16	---	2990453	2
17	---	1001671	2
18	---	1001489	2
19	---	1001684	2
20	---	1001561	2
21	---	1991858	2
22	---	2990480	2
23	---	1001498	8
24	/	/	/
25	---	2990569	2
26	---	1003277	2
27	---	1993413	6
28	---	1000973	6
29	---	1001680	8
30	/	/	/
31	---	1006111	2
32	---	2990322	2
33	Y015259	1723754	2
34	Y015260	1723854	2

Material			
No.	Plan	Article	Quantity
35	YP02049	1891154	2
36	XP00516	2990574	1
37	XP00517	2990575	1
38	---	1006112	4
39	---	1000972	8
40	---	1001679	4
41	---	1998758	8
42	---	G000791	4
43	---	2990760	4
44	---	1001678	8
45	---	1001564	4
46	X005083	1908680	2

Sheet/ 2/2

REAR WHEELS FOREST 10KM/H (SRG-05)				Plan Number
				E000560/C
Scale: 1:6	Drafted	Verified	Confirmed	
Date	15/07/2009	27/06/2014	27/06/2014	
Initials	JG	TT	PJ	