

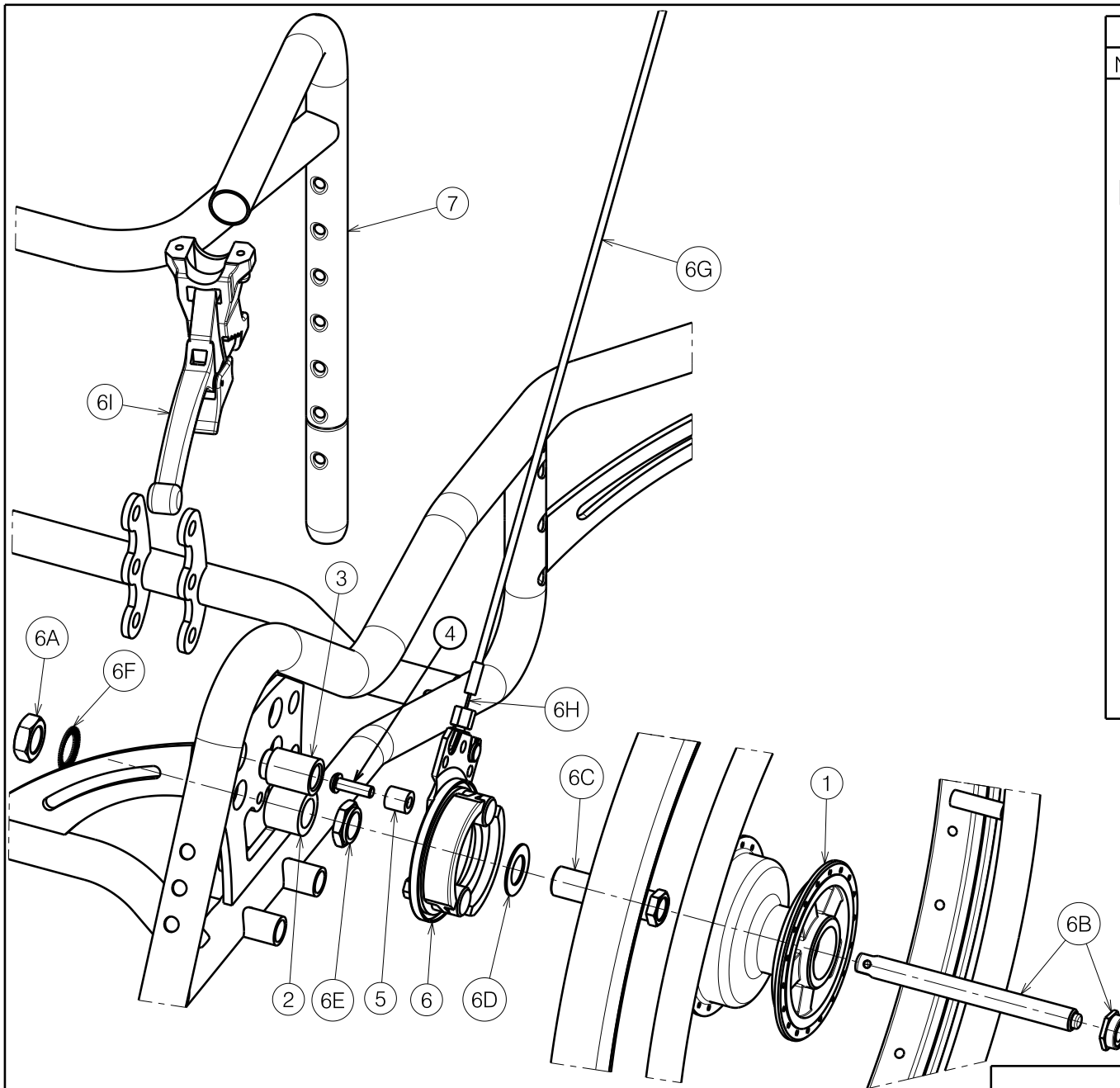
Left side is depicted

| Material / Materiaal | | | |
|----------------------|----------------------|-------------------|-------------------|
| No. / Nr. | Plan | Article / Artikel | Quantity / Aantal |
| 1 | 24" | 1914614 | 2 |
| 2 | X002678 | 1994448 | 2 |
| 3 | X003379 | 1659100 | 2 |
| 4 | M6x20 ISO7380 | 1006999 | 2 |
| 5 | X002703 | 1563700 | 2 |
| 6 | --- | 1910148 (L) | 1 |
| | | 1910149 (R) | 1 |
| 6A | X002437 | 1992699 | 2 |
| 6B | --- | 1906205 | 2 |
| 6C | X005815 | 1914817 | 2 |
| 6D | X005814 | 1914816 | 2 |
| 6E | X005816 | 1914818 | 2 |
| 6F | M16 type S DIN 17222 | 1911653 | 2 |
| 6G | --- | 1993218 | 2x1.05 m |
| 6H | --- | 1004094 | 2 |
| 6I | ∅22 | 1994012 | 2 |
| 6J | --- | 1004109 | 2 |
| 7 | Y017808 | 1756462 (40) | 1 |
| | Y017654 | 1756562 (45) | 1 |
| | Y017809 | 1756662 (50) | 1 |

E000420 / G

| | | | |
|------------------------------------|--------------------|---------------------|-----------------------|
| INOVYS DETACHABLE DRUM BRAKE WHEEL | | | Plan No. / Plannr. |
| Page 1/2 - 24 inch wheel | | | E000420 / G |
| Scale / Schaal: 1:2 | Drafted / Getekend | Verified / Nagezien | Confirmed / Bevestigd |
| Date / Datum | 17/01/2008 | 30/06/2021 | 30/06/2021 |
| Init. / Init. | SD | SD | PJ |





Right side is depicted

| Material / Materiaal | | | |
|----------------------|----------------------|-------------------|-------------------|
| No. / Nr. | Plan | Article / Artikel | Quantity / Aantal |
| 1 | 22" | 1914615 | 2 |
| 2 | X002678 | 1994448 | 2 |
| 3 | X003379 | 1659100 | 2 |
| 4 | M6x20 ISO7380 | 1006999 | 2 |
| 5 | X002703 | 1563700 | 2 |
| 6 | --- | 1910148 (L) | 1 |
| | | 1910149 (R) | 1 |
| 6A | X002437 | 1992699 | 2 |
| 6B | --- | 1906205 | 2 |
| 6C | X005815 | 1914817 | 2 |
| 6D | X005814 | 1914816 | 2 |
| 6E | X005816 | 1914818 | 2 |
| 6F | M16 type S DIN 17222 | 1911653 | 2 |
| 6G | --- | 1993218 | 2x1.05 m |
| 6H | --- | 1004094 | 2 |
| 6I | Ø22 | 1994012 | 2 |
| 6J* | --- | 1004109 | 2 |
| 7 | Y017808 | 1756462 (40) | 1 |
| | Y017654 | 1756562 (45) | 1 |
| | Y017809 | 1756662 (50) | 1 |

* Not depicted

E000420 / G

INOVYS DETACHABLE DRUM BRAKE WHEEL

Page 2/2 - 22 inch wheel

Plan No. / Plannr.

E000420 / G

| | | | |
|---------------------|--------------------|---------------------|-----------------------|
| Scale / Schaal: 2:5 | Drafted / Getekend | Verified / Nagezien | Confirmed / Bevestigd |
| Date / Datum | 17/01/2008 | 30/06/2021 | 30/06/2021 |
| Init. / Init. | SD | SD | PJ |

