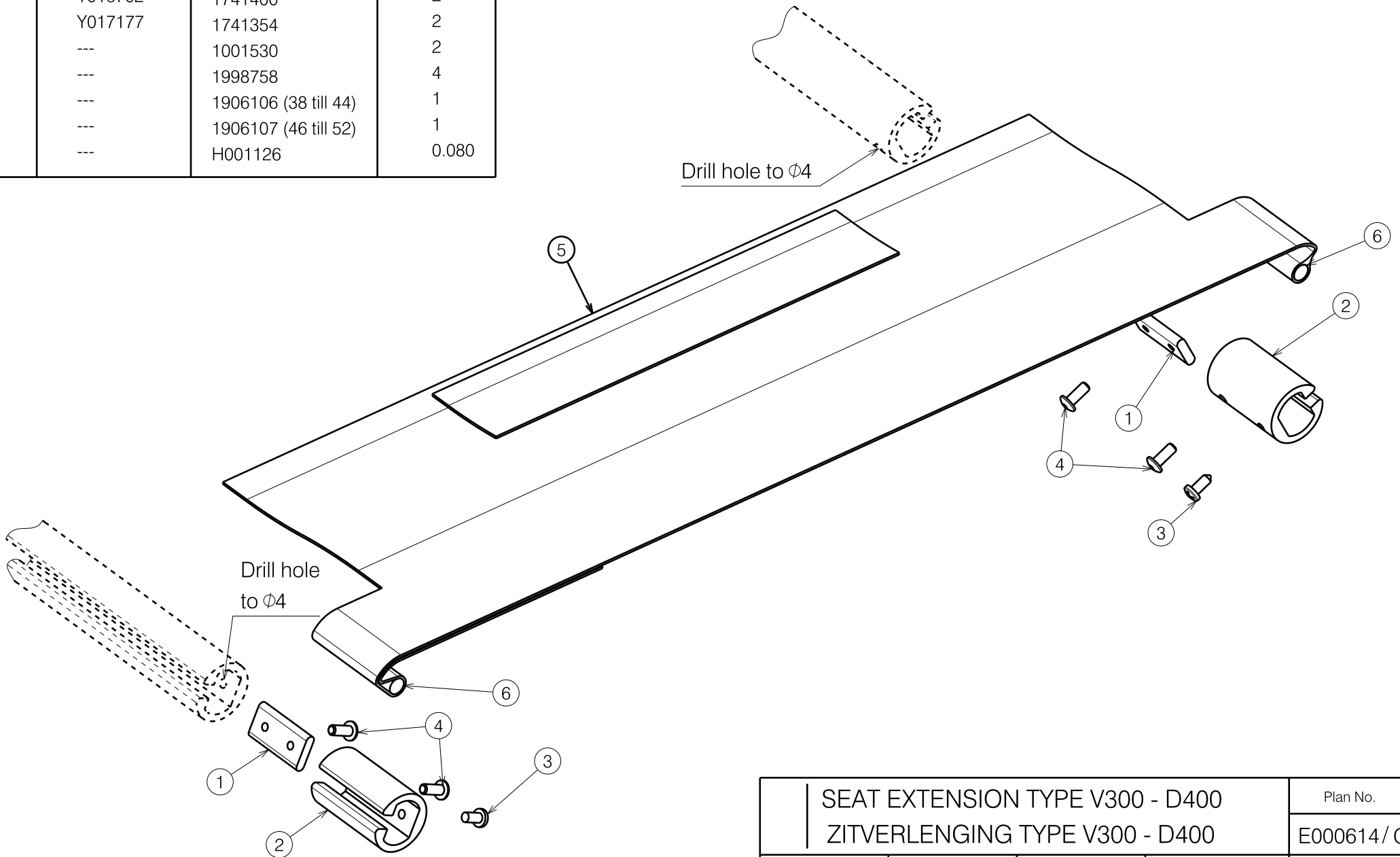


| Material | | | |
|----------|---------|----------------------|----------|
| No. | Plan | Article | Quantity |
| 1 | Y016702 | 1741400 | 2 |
| 2 | Y017177 | 1741354 | 2 |
| 3 | --- | 1001530 | 2 |
| 4 | --- | 1998758 | 4 |
| 5 | --- | 1906106 (38 till 44) | 1 |
| | --- | 1906107 (46 till 52) | 1 |
| 6 | --- | H001126 | 0.080 |



E000614 / C

| | | | | |
|---|------------|------------|------------|---|
| SEAT EXTENSION TYPE V300 - D400 ZITVERLENGING TYPE V300 - D400 | | | | Plan No. E000614 / C |
| Scale: 1:2 | Drafted | Verified | Confirmed |  |
| Date | 13/09/2010 | 20/12/2017 | 20/12/2017 | |
| Initials | SD | SD | PJ | |