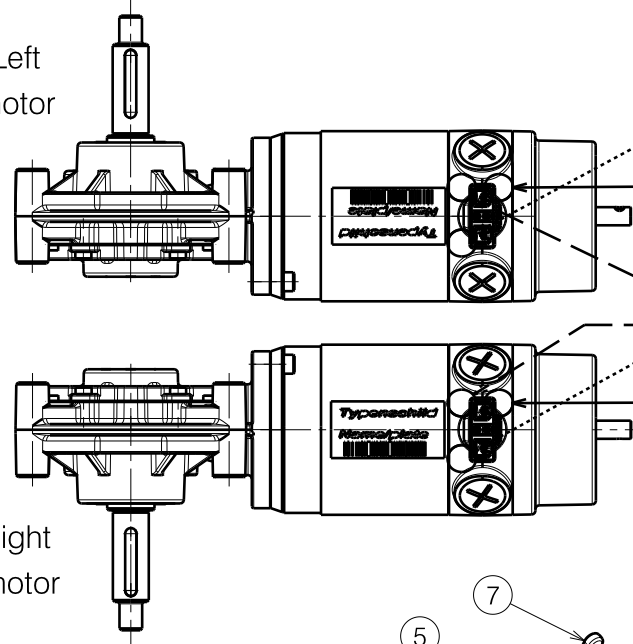
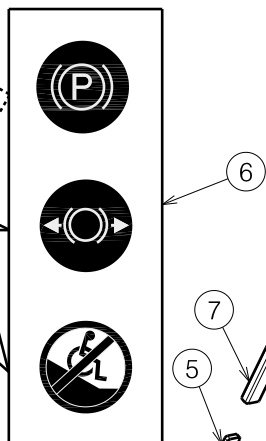


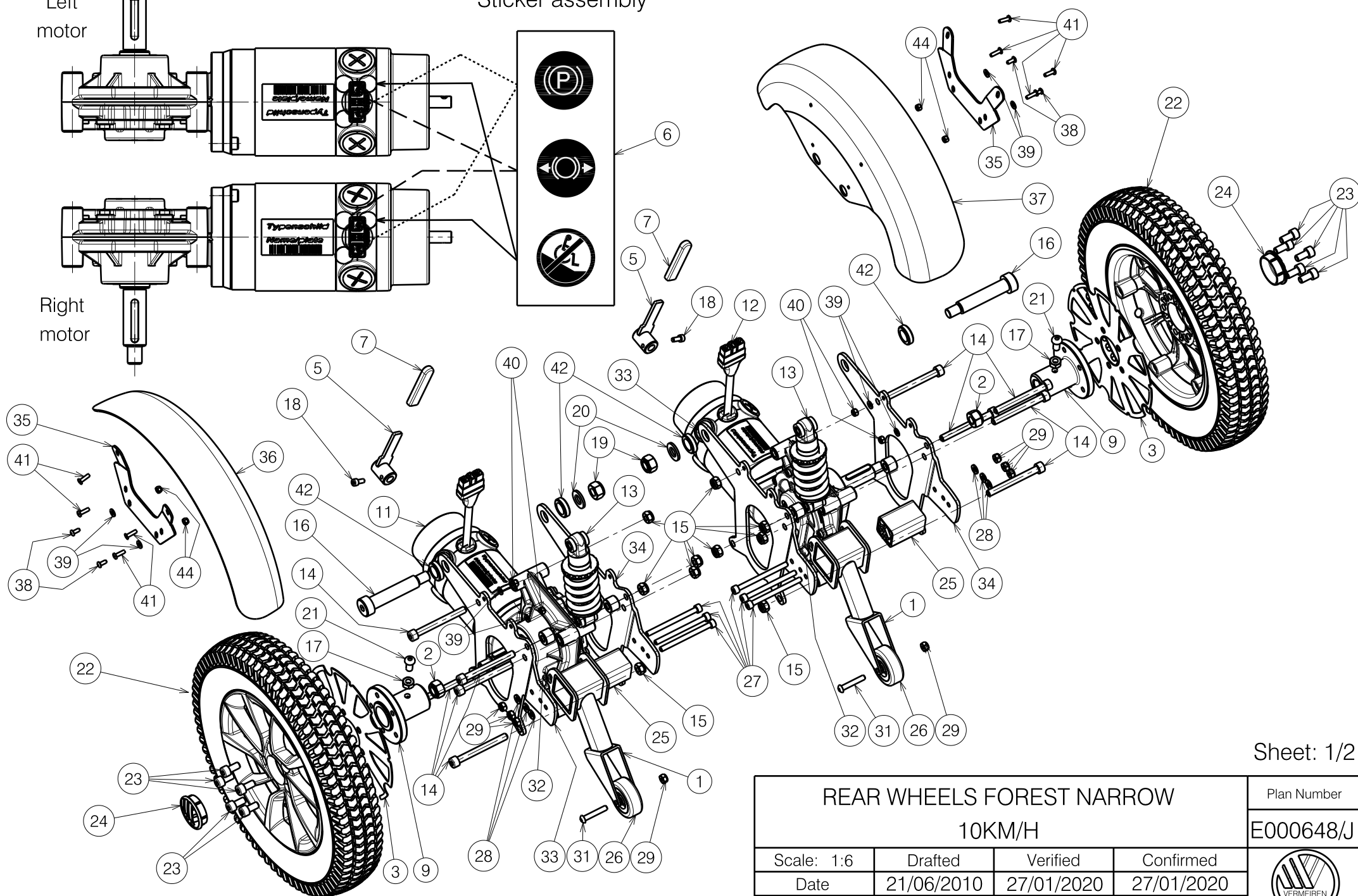
Left motor



Sticker assembly



Right motor



Sheet: 1/2

REAR WHEELS FOREST NARROW				Plan Number
10KM/H				E000648/J
Scale: 1:6	Drafted	Verified	Confirmed	
Date	21/06/2010	27/01/2020	27/01/2020	
Initials	JG	SD	PJ	

Material			
No.	Plan	Article	Quantity
1	YP02054	1891854	2
2	M12x1.5 DIN985	1993736	2
3	Y023085	20529..	2
5	Y015177	1734254	2
6	---	1995235	2
7	---	1007521	2
9	X005809	2050004	2
11	350W 10 km/h	1904170	1
12	350W 10 km/h	1904171	1
13	---	1999843	1
14	---	1992973	2
15	---	1001682	10
16	---	2990453	10
17	---	1001671	2
18	---	1001489	2
19	---	1001684	2
20	---	10015641	2
21	---	1991858	2
22	Grey block	1915153	2
	Black block	1915154	2
	Black line L	1915155	1
	Black line R	1915156	1
	Block R-fill	1915157	2
23	M8x16 DIN912	1915411	10
24	X005083	1908680	2
25	---	2990569	2
26	---	1003277	2
27	---	1993413	6
28	---	1000973	6
29	---	1001680	8
31	---	1006057	2
32	---	2990322	2
33	Y015259	1723754	2
34	Y015260	1723854	2

Material			
No.	Plan	Article	Quantity
35	YP02049	1891154	2
36	XP00516	2990574	1
37	XP00517	2990575	1
38	---	1998758	4
39	---	1000972	8
40	---	1001679	4
41	---	1001584	8
42	---	G000791	4
43	---	2990760	4
44	---	1001678	4

Sheet/ 2/2

REAR WHEELS FOREST NARROW				Plan Number
10KM/H				E000648/J
Scale: 1:6	Drafted	Verified	Confirmed	
Date	21/06/2010	27/01/2020	27/01/2020	
Initials	JG	SD	PJ	