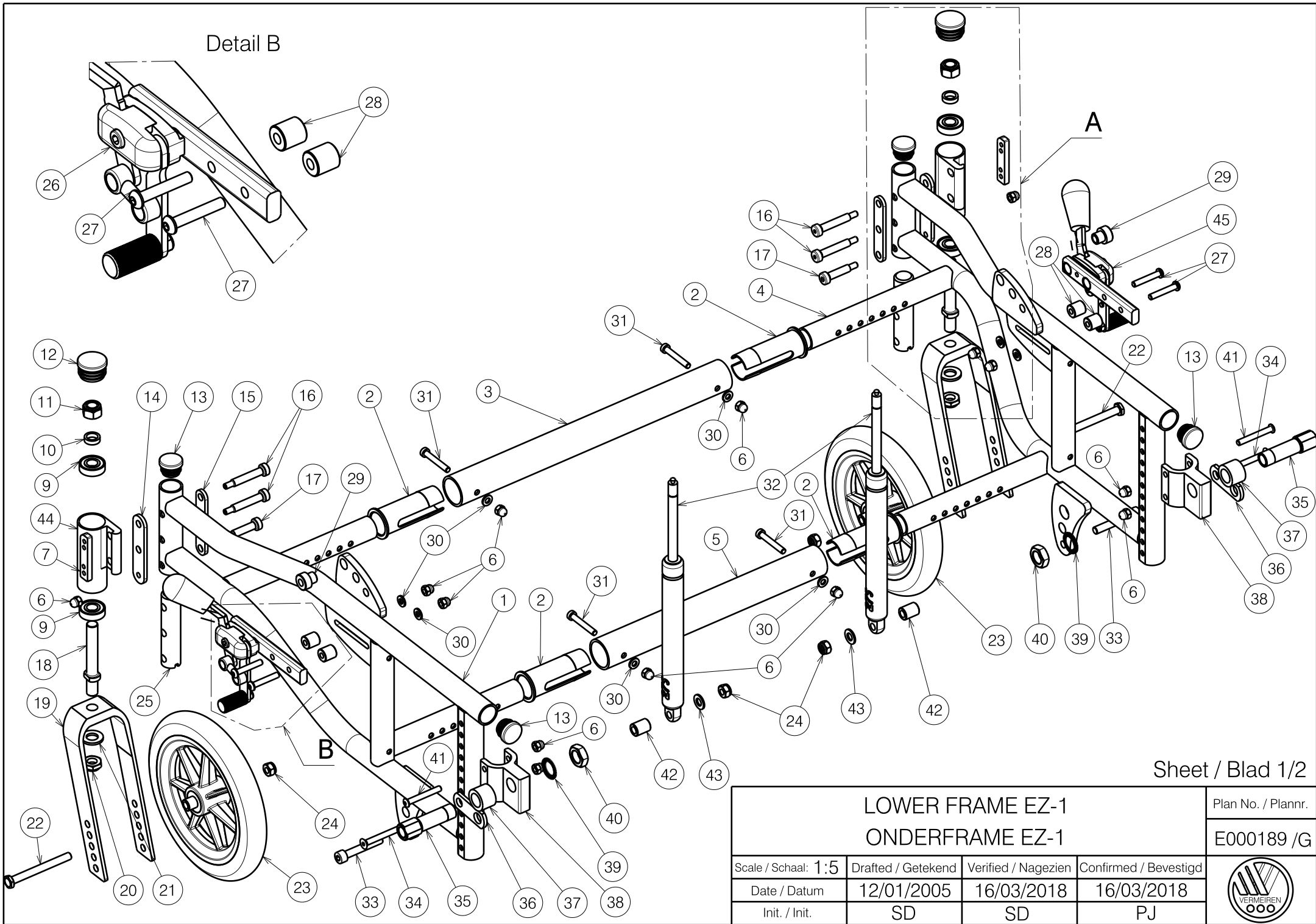


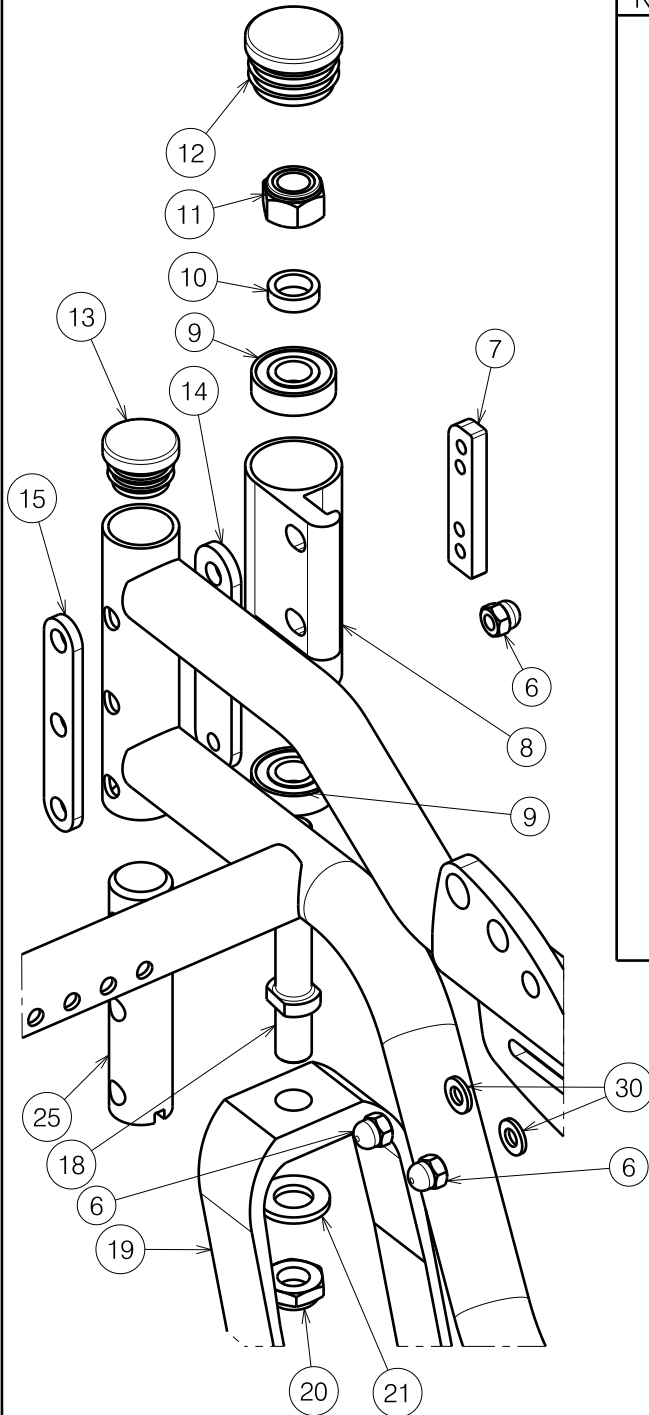
Detail B



Sheet / Blad 1/2


<p>LOWER FRAME EZ-1 ONDERFRAME EZ-1</p>				Plan No. / Plannr. E000189 / G
Scale / Schaal: 1:5	Drafted / Getekend	Verified / Nagezien	Confirmed / Bevestigd	
Date / Datum	12/01/2005	16/03/2018	16/03/2018	
Init. / Init.	SD	SD	PJ	

Detail A



Material / Materiaal							
No. / Nr.	Plan / Plan	Article / Artikel	Number / Aantal	No. / Nr.	Plan / Plan	Article / Artikel	Number / Aantal
1	Y005681	15976..	1	24	---	1001682	4
2	X002921	1996321	4	25	X002987	1996785	2
3	Y006061	15980..	1	26	---	1997084	1
4	Y005680	15975	1	27	---	1006057	4
5	Y005632	15981..	1	28	X002616	1994159	4
6	---	1008492	14	29	X002965	1584400	2
7	Y006329	1610100	2	30	---	1001564	8
8	X003303	1596382	1	31	---	1006850	4
9	---	1992655	4	32	---	1991628	2
10	X002749	1553400	2	33	---	1007517	2
11	---	1001684	2	34	---	1001486	2
12	---	1001610	2	35	X002436	1993127	2
13	---	1991857	4	36	X002356	1502800	2
14	Y006196	1595004	2	37	X002357	1993126	2
15	Y006648	1595182	2	38	X002114	1553282	2
16	---	1996587	4	39	M16 type S DIN17222	1911653	2
17	---	1996670	2	40	X002437	1992699	2
18	X002670	1547400	2	41	---	1991017	2
19	X002635	1994437	2	42	X002989	1996786	2
20	---	1994605	2	43	---	1001554	2
21	---	1001561	2	44	X003302	1596282	1
22	---	1001448	2	45	---	1997085	1
23	200x30 PU	1914606	2				
	200x50 PU	1914609	2				

Sheet / Blad 2/2

<p>LOWER FRAME EZ-1 ONDERFRAME EZ-1</p>				Plan No. / Plannr.
				E000189 /G
Scale / Schaal: 1:5	Drafted / Getekend	Verified / Nagezien	Confirmed / Bevestigd	
Date / Datum	12/01/2005	16/03/2018	16/03/2018	
Init. / Init.	SD	SD	PJ	