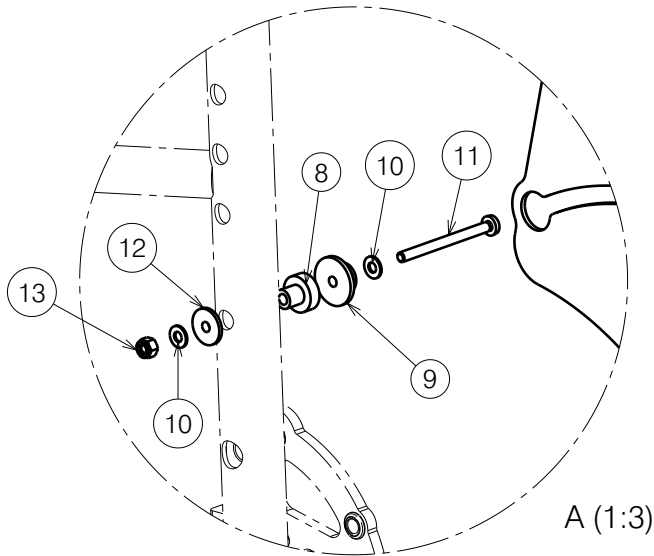
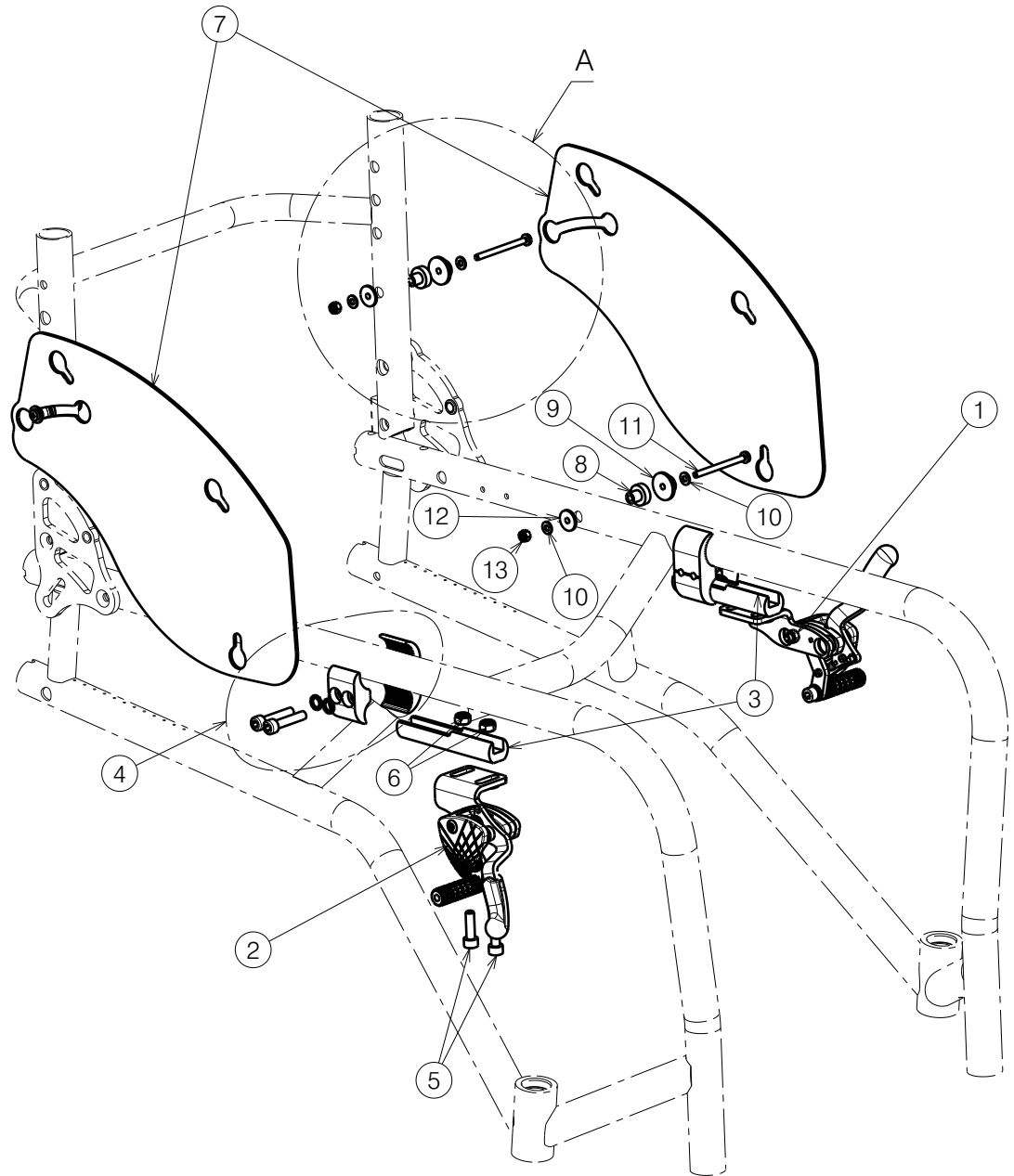


Material			
No.	Plan	Article	Quantity
1	PushpullbrakeL	EP00253	1
2	PushpullbrakeR	EP00252	1
3	XP03430	2997530	2
4	MBL	2990321	2
5	M6x20 DIN912 Black	2994004	4
6	M6 DIN 985 Black	2994063	4
7	YP09506	26610..	2
8	XP03431	2997531	4
9	XP00412	2990456	4
10	M4 DIN125 Black	1003303	8
11	M4x50 DIN 7985 Black	2997533	4
12	XP03432	2997532	4
13	M4 DIN985 Black	1907202	4



PUSH/PULL BRAKE (L/R) SAGITTA				Plan No. EP00650 / A
Scale: 1:2	Drafted	Verified	Confirmed	
Date	15/11/2022	21/11/2022	24/11/2022	
Initials	WM	AZ	AS	

EP00650 / A