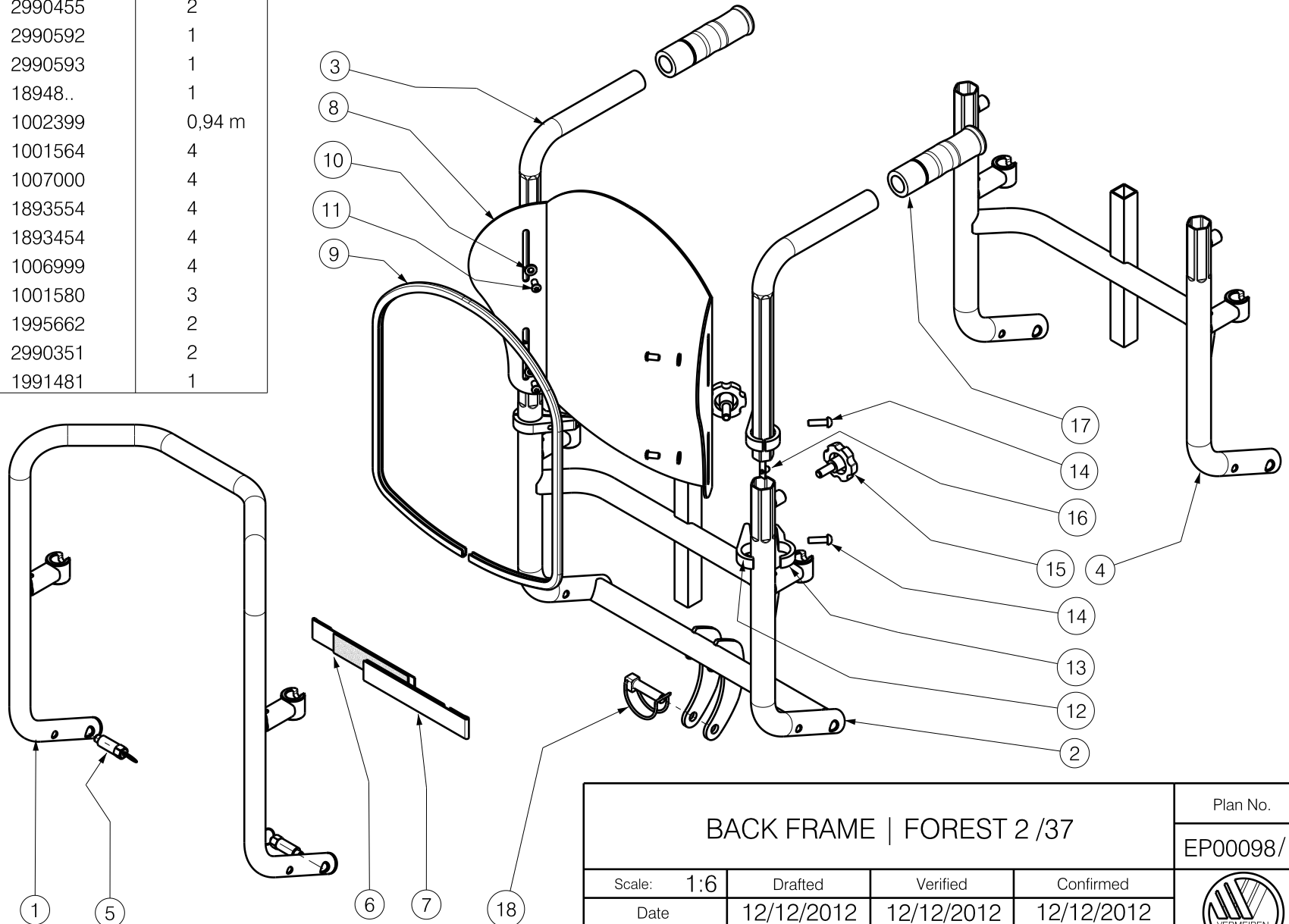


Material			
No.	Plan	Article	Quantity
1	YP02048	1891254	1
2	YP02108	1893954	1
3	Y06560	1575054	2
4	YP02231	1894954	1
5	---	2990455	2
6	---	2990592	1
7	---	2990593	1
8	YP02222	18948..	1
9	---	1002399	0,94 m
10	M6-DIN125A	1001564	4
11	M6x12-ISO7380	1007000	4
12	YP02160	1893554	4
13	YP02159	1893454	4
14	M6x20-ISO7380	1006999	4
15	M8x20-ISO7380	1001580	3
16	Y006559	1995662	2
17	---	2990351	2
18	D10x40	1991481	1



EP00098 / A

BACK FRAME FOREST 2 /37				Plan No.
				EP00098/ A
Scale: 1:6	Drafted	Verified	Confirmed	
Date	12/12/2012	12/12/2012	12/12/2012	
Initials	BS	MK	TK	