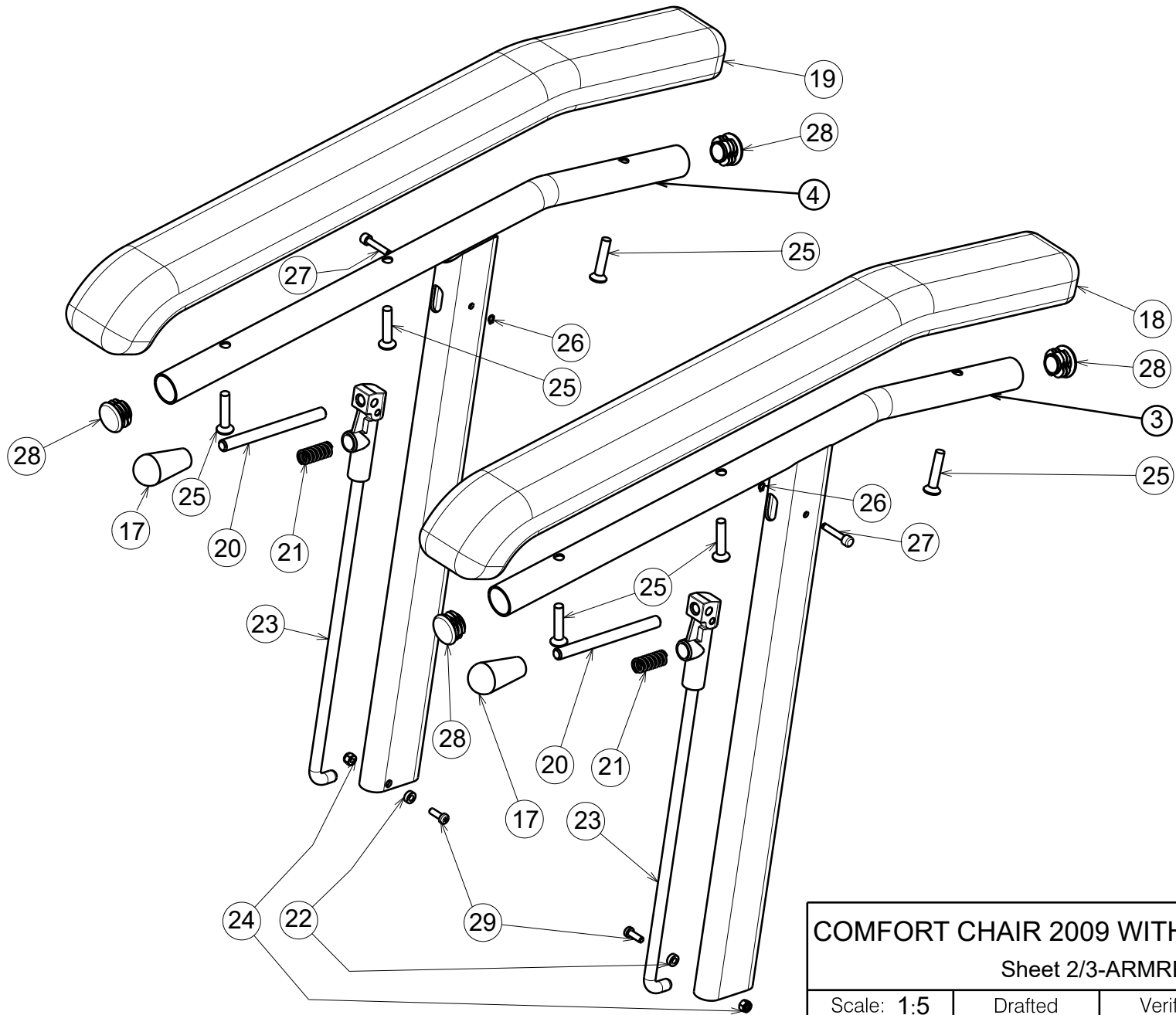


EC00034/G

COMFORT CHAIR 2009 WITH TOILET BUCKET				Plan No. / Plannr.
Sheet 1/3 - FRAME				EC00034/G
Scale / Schaal: 1:5	Drafted / Getekend	Verified / Nagezien	Confirmed / Bevestigd	
Date / Datum	13/12/2010	05/11/2020	05/11/2020	
Init. / Init.	Lydia	AL		




EC00034/G

COMFORT CHAIR 2009 WITH TOILET BUCKET				Plan Number
Sheet 2/3-ARMRESTS				EC00034/G
Scale: 1:5	Drafted	Verified	Confirmed	
Date	13/12/2010	05/11/2020	05/11/2020	
Initials	Lydia	AL		

Bill of material							
No.	Plan	Article	Quantity	No.	Plan	Article	Quantity
1	YC00221	1C087	1	27	XP00180	1824500	2
2	YC00233	1C090	1	28	---	1990648	4
3	Y015294	1714801	1	29	---	1900952	2
4	Y015295	1714901	1	30	---	1997781	2
5	YP00652	1823982	1	31	---	1903596	1
6	---	1001610	4	32	---	1001617	2
7	---	1001564	2	33	---	2990070	1
8	---	1003277	2	34	XC00380	3991543	1
9	---	1006111	2				
10	---	1001680	2				
11	---	1994473	1				
12	---	1001682	1				
13	---	1993594	1				
14	---	1007000	8				
15	---	1001670	8				
16	X004586	1904800	4				
17	---	1998407	2				
18	XP00177	2990116	1				
19	XP00178	2990117	1				
20	XP00176	1824100	2				
21	XC00423	3991837	2				
22	XP00192	1826100	2				
23	XP00208	2990139	2				
24	---	1001678	2				
25	---	1007954	6				
26	XP00297	2990125	2				

EC00034/G

COMFORT CHAIR 2009 WITH TOILET BUCKET				Plan Number
SHEET 3/3				EC00034/G
Scale: 1:5	Drafted	Verified	Confirmed	
Date	13/12/2010	03/08/2020	03/08/2020	
Initials	Lydia	AL	TG	