

Detail B
Scale / Schaal 1:2

Sheet 1/2

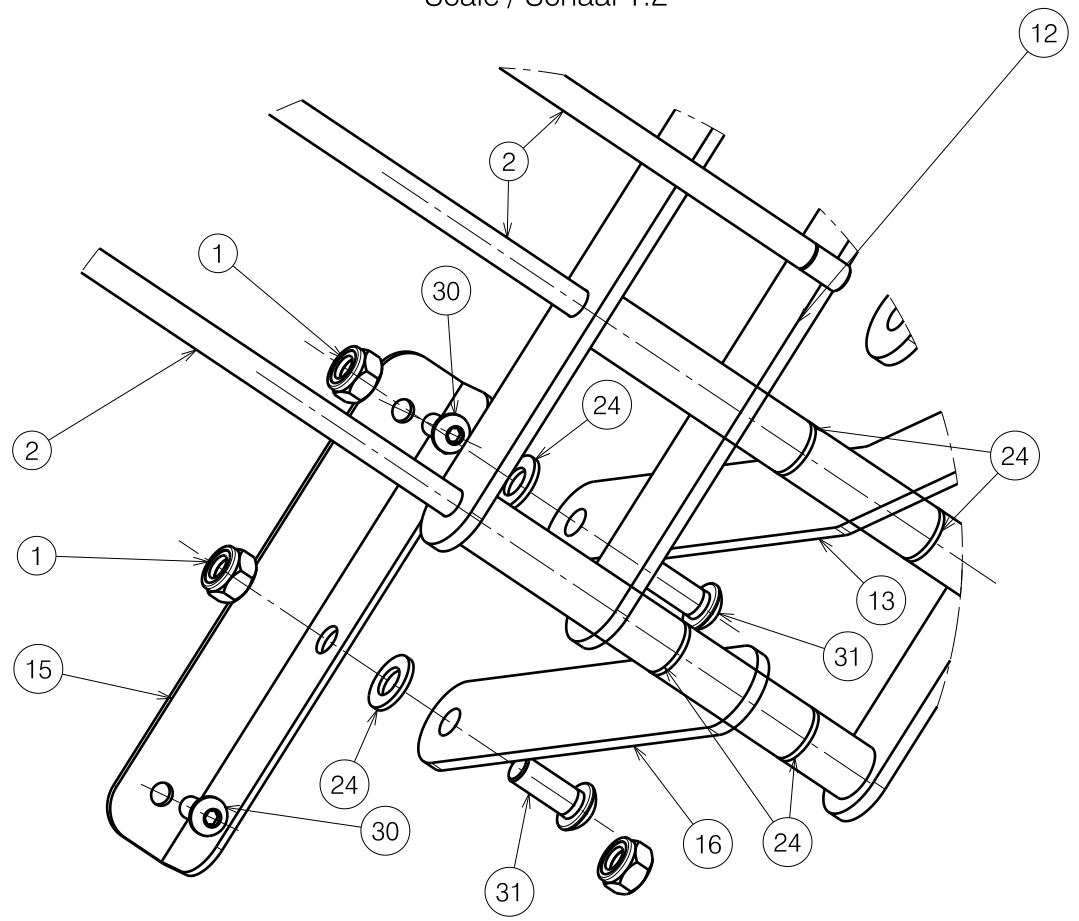
E000415/E

FRAME NORMANDIE / E			Plan No. / Plannr. E000415/E
Scale / Schaal: 1:8	Drafted / Getekend	Verified / Nagezien	Confirmed / Bevestigd
Date / Datum	13/12/2007	27/08/2019	27/08/2019
Init. / Init.	SD	TT	TK




Material / Materiaal			
No. / Nr.	Plan	Article / Artikel	Number
1	X001016	1001682	18
2	X001862	1447500	3
3	X002719	1551500	1
4	X003827	1009400	2
5	YP03614	2831882	1
6	X004586	1904800	4
7	---	2992974	1
8	---	2072782	1
8A	YP00913	1836882	1
8B	X000989	1004539	4
9	YP03776	2838582	1
10	---	2992975	1
11	YP00412	1822582	1
12	YP00483	1822482	2
13	YP00491	1822382	2
14	YP03625	2831982	2
15	YP00592	1822682	1
16	YP00635	1822882	3
17	YP03793	2838482	1
18	YP00716	1825082	1
19	Ø10x45	1996107	1
20	M8x25 DIN933/8.8	1001442	6
21	M6 DIN985	1001680	2
22	M10 DIN985	1001683	1
23	M8x60 DIN912/8.8	1997781	2
24	M8 DIN125	1003199	30
25	---	1003277	2
26	Ø32	1001610	4
27	M6 DIN7349	1003321	4
28	M6x40	1006111	2
29	---	2992973	1
30	M6x12	1007000	4
31	M8x20	1992349	4

Detail C
Scale / Schaal 1:2



Sheet 2/2

FRAME NORMANDIE / E				Plan No. / Plannr.
				E000415/E
Scale / Schaal: 1:8	Drafted / Getekend	Verified / Nagezien	Confirmed / Bevestigd	
Date / Datum	13/12/2007	27/08/2019	27/08/2019	
Init. / Init.	SD	TT	TK	

E000415/E