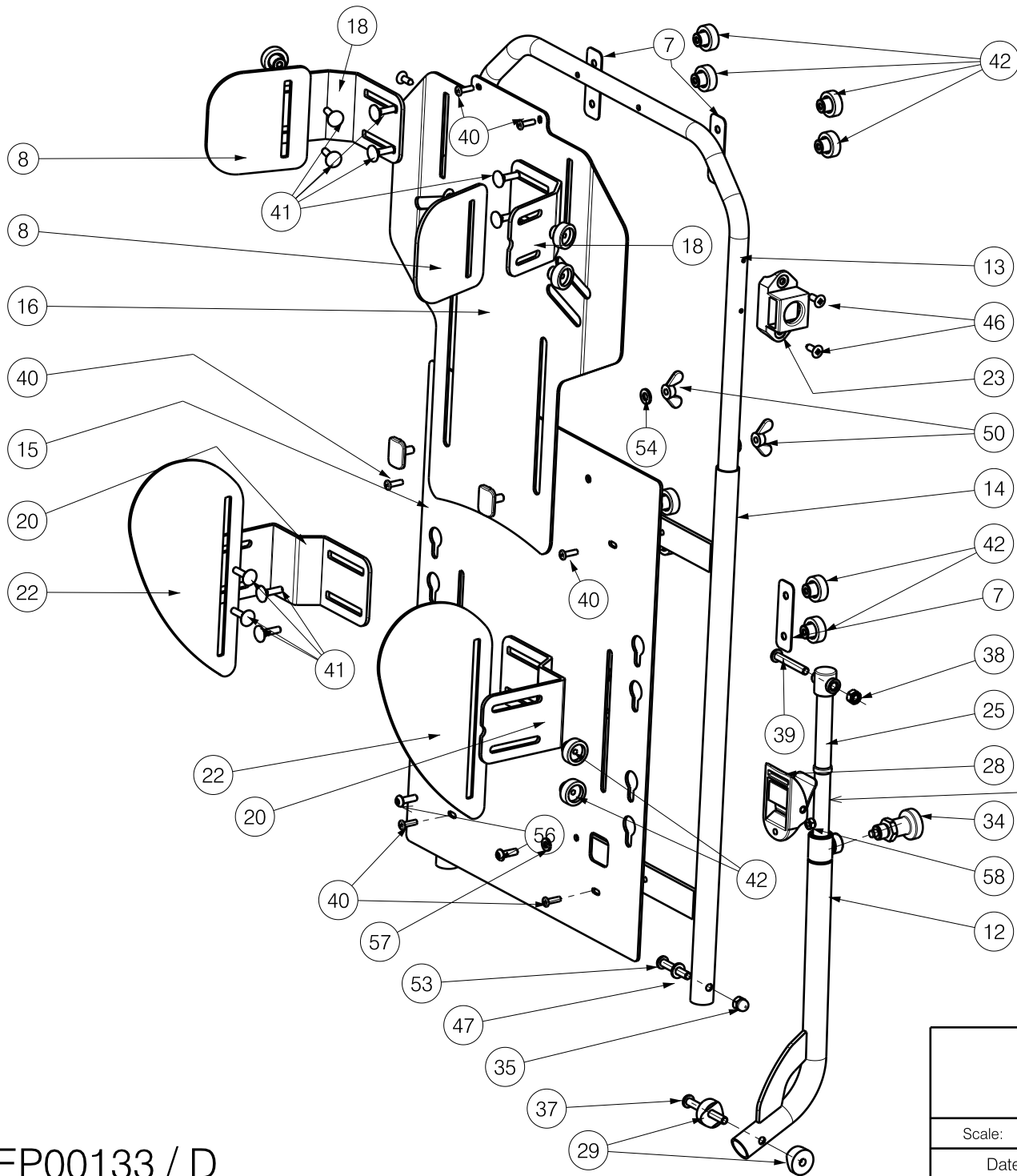



EP00133 / D

SEAT FRAME BAYO 40				Plan No.
Page 1/3				EP00133/ D
Scale: 1:6	Drafted	Verified	Confirmed	
Date	23/11/2013	20/07/2018	20/07/2018	
Initials	AS	PM	TK	



Use grease on working part/
 Uzywac smaru na czesci roboczej


EP00133 / D

SEAT FRAME BAYO 40				Plan No.
Page 2/3				EP00133/ D
Scale: 1:6	Drafted	Verified	Confirmed	
Date	23/11/2013	20/07/2018	20/07/2018	
Initials	AS	PM	TK	

Material			
No.	Plan	Article	Quantity
1	YP04444	28538	1
2	YP04561	28832	1
3	YP04617	28836	1
4	YP04575	28680	1
5	YP04574	28679	1
6	YP04618	FP02221	2
7	YP04319	28524	4
8	YP04635	28841	2
9	YP00511	18153	2
10	YP04502	28678	1
11	YP04334	28516	1
12	YP04579	28685	1
13	YP04583	28687	1
14	YP04584	28688	1
15	YP04578	28684	1
16	YP04577	28683	1
17	YP04316	FP02046	2
18	YP04295	28530	2
19	YP04299	28526	2
20	YP04297	28527	2
21	YP04262	28525	2
22	YP04261	28529	2
23	---	2990099	2
24	X000586	1005742	2
25	XP01099	2866000	1
26	XP01119	2883900	2
27	XP00227	2990147	10
28	---	2992529	2
29	XP00200	2990129	2
30	XP00817	2991001	1
31	XP00140	2990097	6
32	X002137	1992415	2
33	X000106	G003218	6
34	---	2990150	1
35	---	1008492	6

Material			
No.	Plan	Article	Quantity
36	M6x16	1008459	8
37	---	1006997	3
38	---	1001680	14
39	M6x40	1006111	3
40	Rivet_4x14	1001584	6
41	M5x20	2991056	20
42	---	2991057	20
43	---	1993891	2
44	---	2990091	2
45	---	1992721	2
46	---	2990326	4
47	---	1001564	20
48	---	1996843	2
49	M6x55	1997879	2
50	M6	1001520	4
51	---	1003299	2
52	---	2990105	4
53	---	1006057	2
54	---	1000973	10
55	EP00128	2992107	1
56	M5x12	1006112	2
57	---	1001550	2
58	---	1001679	2
59	XP00916	2991602	2
60	M6X16 DIN7991	1994752	4

EP00133 / D

SEAT FRAME BAYO 40				Plan No.
Page 3/3				EP00133/ D
Scale: 1:6	Drafted	Verified	Confirmed	
Date	23/11/2013	20/07/2018	20/07/2018	
Initials	AS	PM	TK	