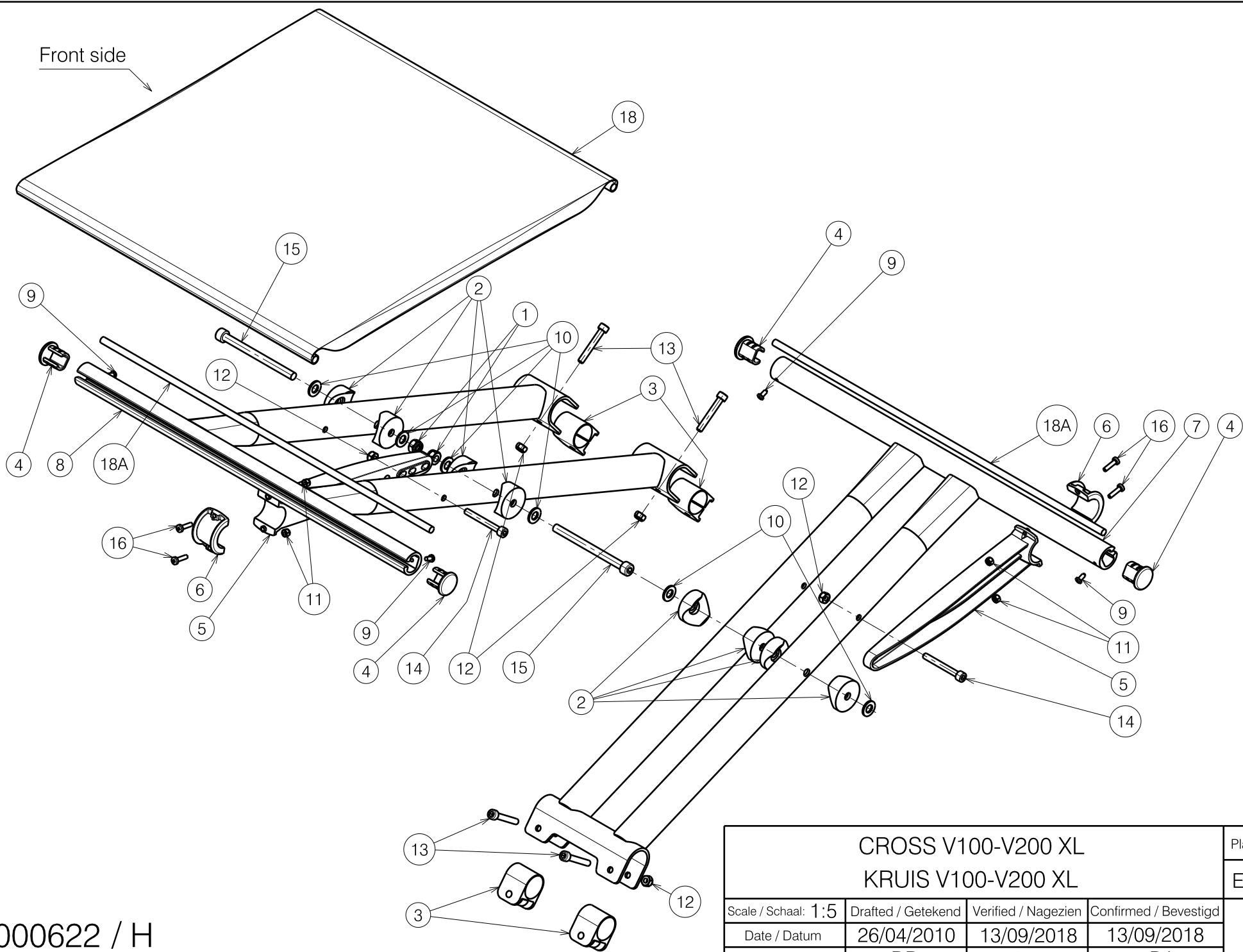


Front side



CROSS V100-V200 XL

KRUIS V100-V200 XL

Plan No. / Plannr.

E000622 / H

Scale / Schaal: 1:5	Drafted / Getekend	Verified / Nagezien	Confirmed / Bevestigd
Date / Datum	26/04/2010	13/09/2018	13/09/2018
Init. / Init.	DD	SD	PJ



E000622 / H

Material / Materiaal			
No. / Nr.	Plan	Article / Artikel	Quantity / Aantal
1	X001016	1001682	2
2	X002133	1992424	8
3	X003692	1998763	4
4	X004452	1904058	4
5	X004608	1905093	2
6	X004620	1905090	2
7	Y016027	1726554 (53)	1
	Y016029	1726754 (56)	1
	Y016031	1726954 (60)	1
8	Y016028	1726654 (53)	1
	Y016030	1726854 (56)	1
	Y016032	1727054 (60)	1
9	3.9x9.5 DIN7981	1001530	4
10	X001119	1001554	6
11	M4 DIN985	1001678	4
12	M6 DIN985	1001680	6
13	M6x40 DIN912	1003909	4
14	M6x50 DIN912	1007970	2
15	M8x100 DIN912	1998468	2
16	M4x16	2990185	4
18A	---	H001126	0.96
18	---	1905682 (53)	1
	---	1905683 (56)	1
	---	1905684 (60)	1

CROSS V100-V200 XL			Plan No. / Plannr.
KRUIS V100-V200 XL			E000622 / H
Scale / Schaal: 1:5	Drafted / Getekend	Verified / Nagezien	Confirmed / Bevestigd
Date / Datum	26/04/2010	13/09/2018	13/09/2018
Init. / Init.	DD	SD	PJ

