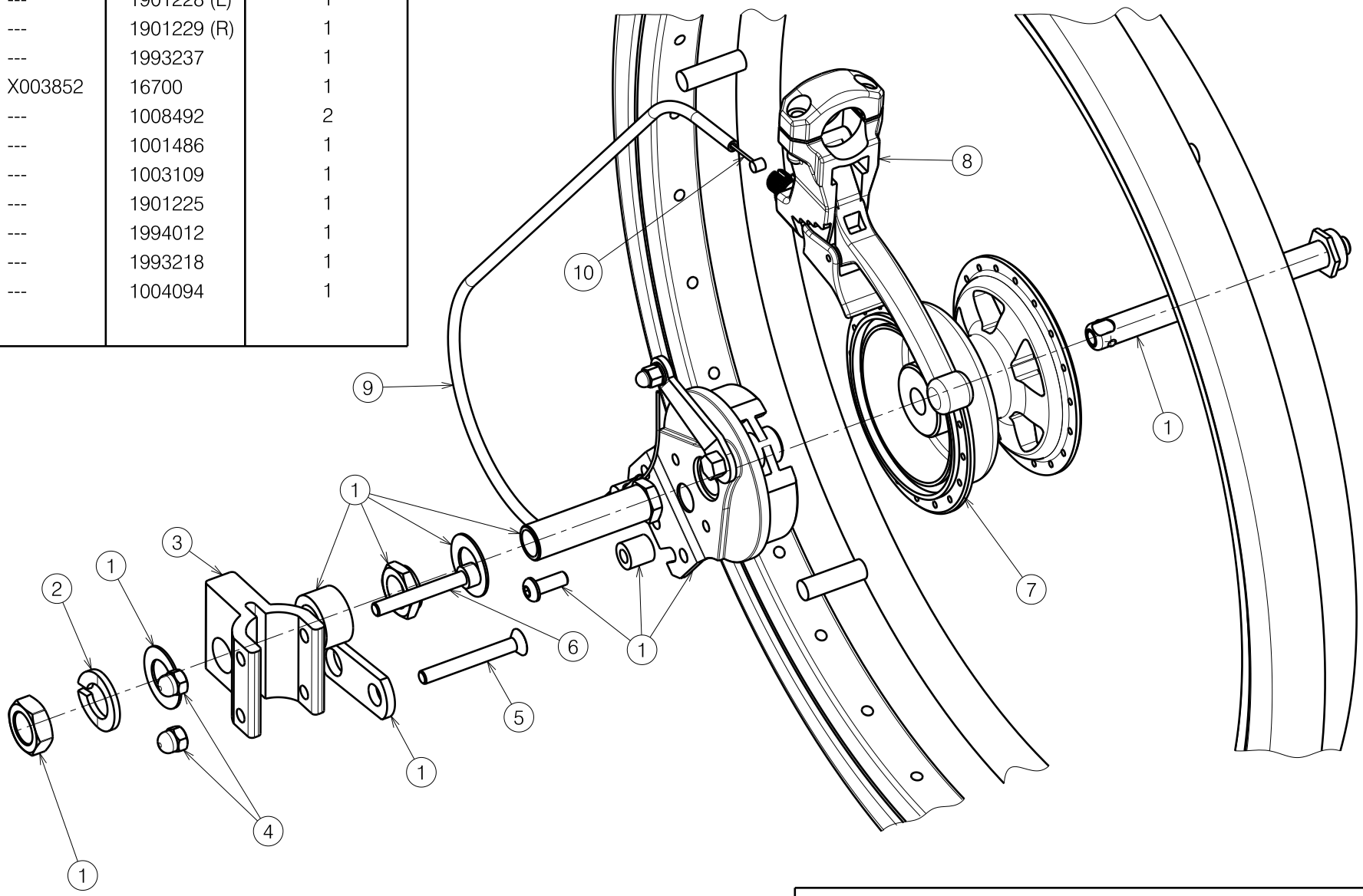


Material / Materiaal			
No. / Nr.	Plan	Article / Artikel	Number / Aantal
1	---	1901228 (L)	1
	---	1901229 (R)	1
2	---	1993237	1
3	X003852	16700	1
4	---	1008492	2
5	---	1001486	1
6	---	1003109	1
7	---	1901225	1
8	---	1994012	1
9	---	1993218	1
10	---	1004094	1



<h1>B74 / B80 ECLIPS +</h1>			Plan No. / Plannr.
			E000454/F
Scale / Schaal: 2:5	Drafted / Getekend	Verified / Nagezien	Confirmed / Bevestigd
Date / Datum	29/04/2008	16/01/2014	16/01/2014
Init. / Init.	SD	SD	PJ

