

User manual

MANUEL D'UTILISATION
GEBRUIKSAANWIJZING
GEBRAUCHSANWEISUNG
MANUALE DI ISTRUZIONI
MANUAL DE INSTRUCCIONES
INSTRUKCJA OBSŁUGI
NÁVOD K OBSLUZE

Sagitta Sagitta SI



Contents

Contents	1
Preface	2
1 Your product	3
1.1 Options.....	3
2 Before use	4
2.1 Intended use	4
2.2 General safety instructions.....	4
2.3 Symbols on the wheelchair	4
2.4 Transport.....	5
2.5 Folding/Unfolding	5
2.6 Storage	6
3 Using your wheelchair	7
3.1 Operating the brakes.....	7
3.2 Seat support.....	8
3.3 Backrest support	8
3.4 Transfer in and out the wheelchair.....	8
3.5 Riding the wheelchair.....	9
4 Maintenance	10
4.1 Points of maintenance.....	10
4.2 Maintenance instructions	10
4.3 Troubleshooting	11
4.4 Expected lifespan.....	11
4.5 Reuse.....	11
4.6 End of use.....	11
5 Technical specifications	12



Preface

Congratulations! You are now owner of a Vermeiren wheelchair!

This wheelchair is made by qualified and committed personnel. It is designed and produced according to high quality standards, guarded by Vermeiren.

Please read this manual carefully; it will help you to get familiar with the operation, capabilities and limitations of your wheelchair. If you still have questions after reading this manual, do not hesitate to contact your specialist dealer. He/she will be glad to help you.

Important note

To ensure your safety, and to prolong the lifetime of your product, please take good care of it and have it checked and serviced on a regular basis.

This manual reflects the latest product developments. Vermeiren has the right to implement changes to this type of product without any obligation to adapt or replace similar products previously delivered.

Pictures are used to clarify the instructions in this manual. Details of the depicted product may deviate from your product.

Information available

On our website <http://www.vermeiren.com/> you will always find the most recent version of the information in this manual. Please consult this website regularly for possible updates.

Visually impaired people can download the electronic version of this manual and have it read out by means of a text-to-speech software application.



User manual

For user and specialist dealer



Installation instructions

For specialist dealer



Service manual for wheelchairs

For specialist dealer



EC declaration of conformity

1 Your product



1. Backrest
2. Splash guard
3. Driving wheels (rear wheels)
4. Hand rims
5. Brakes
6. Steering wheels (front wheels)
7. Seat
8. Base frame
9. Foot bracket
10. Identification plate

1.1 Options

Contact your specialist dealer about options. He will gladly advise you.

2 Before use

2.1 Intended use

- Indications and contraindications: This wheelchair is meant to be operated by the user sitting in the wheelchair. If push handles are installed, it can be operated by an attendant as well. The wheelchair is intended for elderly people or people with walking difficulties or no walking abilities, such as paralysis, loss of limbs, limb defects or deformations, stiff or damaged joints, heart insufficiencies and poor blood circulation, balance disturbances, cachexia (decrease in muscle), ... You should NOT use this wheelchair if you suffer from physical or mental impairments that may put you, or other people, in danger when driving the wheelchair. For this reason, consult your doctor first and make sure that your specialist dealer is informed about his advice.
- This wheelchair is suitable for indoor and outdoor use.
- This wheelchair is designed and produced solely to transport/transfer one (1) person with a maximum weight of 100kg. It is not designed for transportation of goods or objects, nor for any use other than previously described.
- Only use accessories and spare parts approved by Vermeiren.
- Please read all technical details and limits of your wheelchair in chapter 5.
- The warranty on this product is based on normal use and maintenance as described in this manual. Damage to your product caused by improper use or lack of maintenance will cause the warranty to lapse.

2.2 General safety instructions



Carefully read and follow the instructions in this manual.

Keep the following general warnings in mind during use:

- Do not use your wheelchair if you are under influence of alcohol, medicines or other substances that may influence your riding abilities.
- Be aware that some parts of your wheelchair may get very hot or cold due to ambient temperature, solar radiation or heating devices. Be careful when touching. Wear protective clothing if the weather is cold. When going outdoors, riding gloves can be used to improve the grip on the hand rims.
- Alterations or substitutions should not be made to the wheelchair securement points or to structural and frame parts or components without consulting the wheelchair manufacturer.

Be aware that your wheelchair may interfere with some types of anti-theft systems, depending on the settings used. This may cause the shop's alarm to go off.

Any serious incident [MDR (EU) 2017/745 §2 (65)] that has occurred in relation to the device should be reported to the manufacturer and the competent authority of the Member State in which the user and/or patient is established.

2.3 Symbols on the wheelchair



Maximum weight of the user in kg



Indoor/outdoor use



Maximum safe slope in ° (degrees).



Type designation

2.4 Transport

2.4.1 Transport by vehicle, as luggage

 **WARNING** Risk of injuries

- Do NOT use your wheelchair as a seat in a vehicle, see the following symbol.
 - Make sure that the wheelchair is attached properly to avoid injury from the passengers during collision or sudden braking.
 - NEVER use the same seatbelt to secure the wheelchair and passenger.
1. Remove accessories.
 2. Store accessories safely.
 3. If possible, fold the wheelchair and remove the rear wheels.
 4. Place the wheelchair in the luggage compartment.
 5. If the luggage and passenger compartments are NOT separated, attach the frame of the wheelchair securely to the vehicle. You can use the available safety belts in the vehicle.



2.5 Folding/Unfolding

 **CAUTION** Risk of injuries

Keep fingers away from moving parts of the wheelchair.

2.5.1 Unfolding the wheelchair

1. Mount the rear wheels.
2. Position yourself behind the wheelchair.
3. Fold the back up.

2.5.2 Fold up the wheelchair

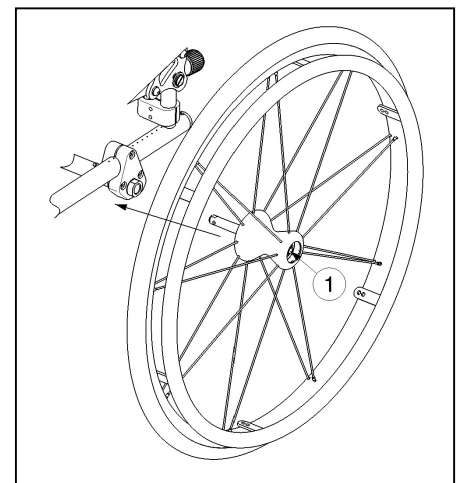
1. Fold the back.
2. Take off the rear wheels.

2.5.3 Mounting the rear wheels

1. Take the rear wheel and push button ①.
2. Keep the button pushed in and mount the rear wheel axle until it stops.
3. Release the button.
4. Check that the wheel is secured.

2.5.4 Taking off the wheels

1. Make sure the brakes stand in the off position.
2. Take the wheelchair to the side frame where you want to remove the wheel.
3. Press the button ① in the centre of the wheel hub.
4. Pull the wheel away from the frame.



2.5.5 Folding up the back of the wheelchair



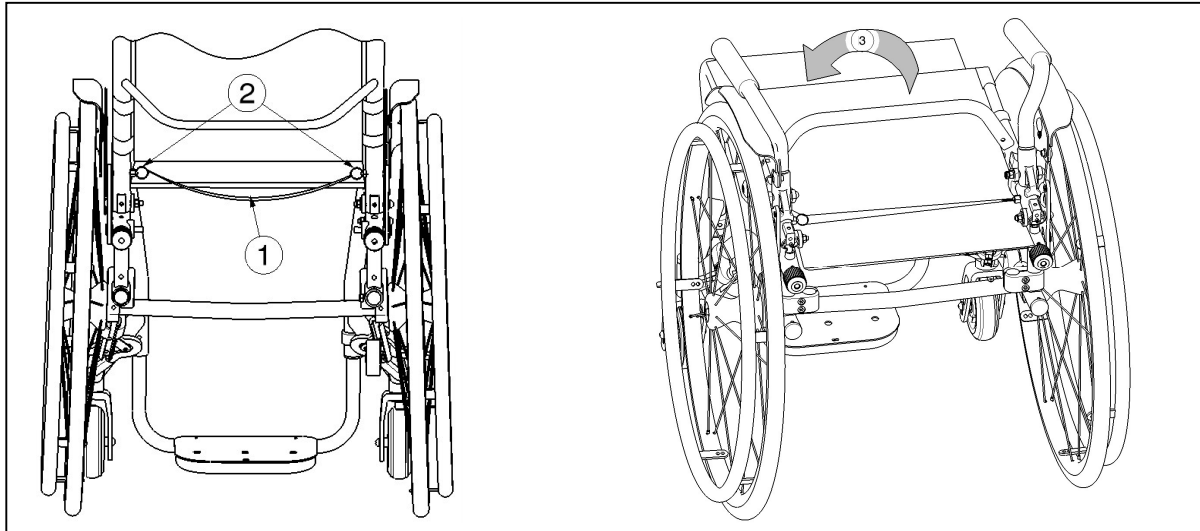
WARNING

Risk of injuries

Make sure that both safety pins are engaged.

For transport, the back of the wheelchair can be completely folded to the seat.

1. If applicable, remove the removable side plates.
2. Pull gently on the back strap. ①
3. The safety pins of the back come loose ②.
4. Fold the back forward. ③



To unfold the back:

1. Pull to the back until it clicks into position.
2. Make sure that both safety pins ② click in the hole of the backrest adjustment plate.
3. If applicable, replace the removable side plates.

2.6 Storage



Make sure that your wheelchair is stored in a dry environment to prevent mould from growing and the upholstery from being damaged, see also chapter 5.

3 Using your wheelchair

**WARNING**

Risk of injuries

- First read previous chapters and inform yourself about the intended use. Do NOT use your wheelchair unless you have read and fully understood all instructions.
- In case of doubts or questions, do not hesitate to contact your local specialist dealer, your care provider or technical adviser to help you with this.

3.1 Operating the brakes

**CAUTION**

Risk of injuries

- The brakes are not used to slow down the wheelchair during movements. Use the brake only to prevent the wheelchair from unintended movements.
- Good operation of the brakes is influenced by wear and contamination of the tires (water, oil, mud, ...). Check the condition of the tires before each use.
- The brakes are adjustable and can wear. Check the operation of the brakes before each use.
- Make sure the wheelchair is on a flat horizontal surface before releasing the brakes. Never release both brakes simultaneously.

Push-pull brakes

- i** The push-pull parking brake can be mounted in two ways (directions), to be decided upon ordering the wheelchair. Depending on the chosen direction, the brake needs to be pushed or pulled for operation.

Releasing brakes (A):

1. With one hand, hold one of the hand rims.
2. Push or pull brake lever (10) of the OTHER wheel.
3. Repeat this for the second wheel and parking brake.

Applying brakes (B):

1. With one hand, hold one of the hand rims.
2. Pull or push brake lever (10) of the OTHER wheel until you feel a distinctive lock.
3. Repeat this for the second wheel and parking brake.



Sport brakes

The sport brakes are located under the seat.

Releasing brakes :

1. With one hand, hold one of the hand rims.
2. Pull the handle of the OTHER wheel FORWARD.
3. Repeat this for the second wheel and parking brake.

Applying brakes :

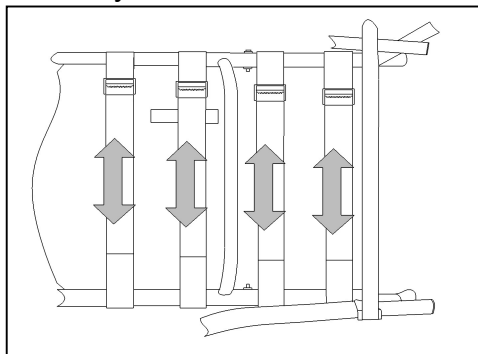
1. With one hand, hold on of the hand rims.
2. Push the brake handle of the OTHER wheel BACKWARD until you feel a distinctive lock.
3. Repeat this for the second wheel and parking brake.



3.2 Seat support

⚠ WARNING: Risk of injury – Check that all 4 straps are secured with Velcro.

The seat of the wheelchair has a suspension system with adjustable Velcro straps, to adjust the flexibility of the seat.

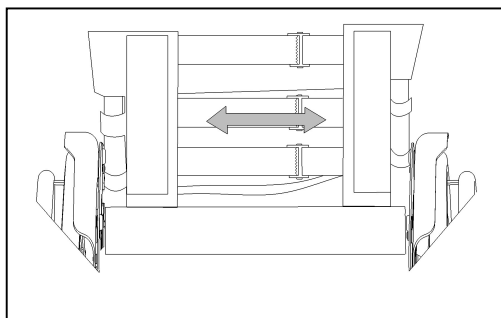


1. Loosen the 4 fasteners.
2. Pull each belt in the desired position.
3. Put the respective belt back on the Velcro and press this by hand to each other.

3.3 Backrest support

⚠ WARNING: Risk of injury – Check that all straps are secured with Velcro.

The back of the model Sagitta can be adjusted in its flexibility, so the back of the user is supported differently.



1. Remove the back cushion with the velcro by pulling first to the back and then to the front. Now you can see the suspension system with three straps that can be adjusted independently.
2. Loosen the velcro closures of the respective straps.
3. Pull the respective strap to the desired position, the tension of the individual belts can be varied and the desired support of the back can be set.
4. Place the back cushion again starting from the front to the back and secure the Velcro connections by pressing lightly on the back cushion with your hand.

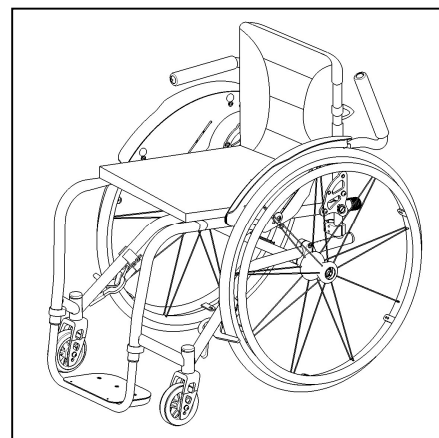
3.4 Transfer in and out the wheelchair



CAUTION

Risk of injuries

- In case you cannot perform the transfer in a safe manner, ask someone to assist you.
 - Do not stand on the foot bracket.
1. Position the wheelchair as close as possible to the chair, couch or bed to/from which you wish to transfer.
 2. Make sure that both brakes of the wheelchair are activated.
 3. If the wheelchair has arm supports and the transfer is on the side of the wheelchair, fold the arm support on that side upwards.
 4. Transfer to/from the wheelchair.



3.4.1 Correct position in the wheelchair

Some recommendations for a comfortable use of the wheelchair:

- Position your backside as close as possible to the backrest.
- Make sure your upper legs are horizontal. If needed adjust the length of the foot bracket. (see installation manual)

3.5 Riding the wheelchair

 CAUTION Risk of injuries and damage

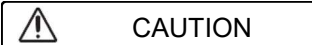
- Before every usage, make sure that:
 - parking brakes are working properly.
 - tires are in good condition, see §4.
- Prevent your fingers from being caught by the wheel spokes.
- Do not operate the hand rims with wet hands.
- Prevent entrapment of your hands on the hand rims when you pass small passages.
- Do NOT drive on slopes, obstacles, steps or kerbs larger than specified in §5.
- When you stop on a (small) slope, use your brakes.
- Make sure all four wheels touch the ground while riding up or down a slope.
- Take slopes as slow as possible.
- Always stay on the pavement when riding on public roads.
- Pay attention if the road has holes or gaps that may cause entrapment of the wheels.
- Avoid stones and other objects that may block the wheels.
- Make sure that the footplates do not touch ground while taking an obstacle.
- Do not use your wheelchair on an escalator.
- If available, wear your safety belt.
- Always keep the swing range of the footplate in mind to prevent bystanders from being injured or objects from being damaged.
- If you don't have enough experience riding your wheelchair, ask assistance of an attendant. Keep your arms away from the wheels and keep your feet on the footplate.
- Stairs should always be negotiated with the help of two attendants.
- Never try to use stairs that are not appropriate for wheelchairs.

3.5.1 Riding your wheelchair:

1. Release the brakes.
2. Take both hand rims at their highest position.
3. Lean forward and push the hand rims forward until your arms are straight.
4. Move your hands back to the top of the hand rims and repeat the movement.

4 Maintenance

4.1 Points of maintenance



Risk of injuries and damage

Repairs and replacements may only be undertaken by trained persons and only genuine replacement parts of Vermeiren should be used.

i The service frequency depends on the frequency and intensity of use. Contact your dealer to agree to a common timetable for inspection/maintenance/repair.

For the maintenance manual, refer to the Vermeiren website: www.vermeiren.com.

Before each use

Inspect the following points:

- All parts: Present and undamaged or unworn.
- All parts: Clean, see § 4.2.2.
- Wheels, backrest, seat, calf rests, arm rests, footplates: Well secured.
- Condition of wheels/tyres, see § 4.2.1;
- Condition of frame parts: No deformation, instability, weakness or loose connections
- Seat, backrest, arm pads, calf pads and head rest (if applied): No excessive wear (like dented spots, damage or tears).
- Brakes: Undamaged and functioning.

Contact your specialist dealer for possible repairs or part replacements.

Yearly or more often

Have your wheelchair inspected and serviced by your specialist dealer, at least once a year, or more often. The minimum maintenance frequency depends on use and should therefore be commonly agreed upon with your specialist dealer.

4.2 Maintenance instructions

4.2.1 Wheels and tyres

i Proper working of the brakes depends on the state of the tyres, and can change due to wear and contamination (water, oil, mud, ...).

Keep your wheels free of wires, hair, sand and fibres.

Check the profile of the tyres. If the tread depth is less than 1 mm, the tyres need to be replaced. Contact your specialist dealer for this matter.

Inflate each pneumatic tyre to the correct pressure (see pressure indication on the tyres).

4.2.2 Cleaning



Risk of damage by moisture

Never use a hose or high-pressure cleaner to clean the wheelchair.

Wipe all rigid parts of the wheelchair with a damp cloth (not drenched). If necessary, use a mild soap, suitable for varnishes and synthetics.

The upholstery can be cleaned with lukewarm water and a mild soap. Do not use abrasive cleaning agents to clean.

4.2.3 Disinfection



Risk of damage

Disinfections may only be undertaken by trained persons. Consult your specialist dealer.

4.3 Troubleshooting

Even if you use your wheelchair properly, a technical problem may occur. In this case, contact your local specialist dealer.



WARNING

Risk of injuries and damage to the wheelchair

NEVER repair your wheelchair yourself attempting to solve the problem.

The following symptoms may indicate a serious problem. Therefore always contact your specialist dealer if you spot any of the following deviations:

- Strange sound;
- Uneven tread wear on one of the tyres;
- Jerky movements;
- Wheelchair deflects to one side;
- Damaged or broken wheel assemblies.

4.4 Expected lifespan

The average lifespan of your wheelchair is 5 years. Depending on the frequency of use, driving circumstances and maintenance, the lifespan of your wheelchair will increase or decrease.

4.5 Reuse

Before each reuse, have the wheelchair disinfected, inspected and serviced according to the instructions in §4.1 and §4.2.

4.6 End of use

At end of life, you need to dispose your wheelchair according to the local environmental legislation. The best way to do so, is to disassemble the wheelchair to facilitate the transport of recyclable parts.

5 Technical specifications

Technical terms below are valid for the wheelchair in standard settings. If other accessories are used, the tabulated values will change.

Make	Vermeiren
Type	Manual wheelchair
Model	Sagitta
Maximum occupant mass	100 kg

Description	Dimensions					
Effective seat width	360 mm	380 mm	400 mm	420 mm	440 mm	460 mm
Overall width (depends on the seat width, angle of rear wheels 0°)	550 mm	570 mm	590 mm	610 mm	630 mm	650 mm
Overall width (depends on the seat width, angle of rear wheels 2°)	570 mm	590 mm	610 mm	630 mm	650 mm	670 mm
Overall width (depends on the seat width, angle of rear wheels 4°)	605 mm	625 mm	645 mm	665 mm	685 mm	705 mm
Overall width (depends on the seat width, angle of rear wheels 6°)	645 mm	665 mm	685 mm	705 mm	725 mm	745 mm
Overall width (depends on the seat width, angle of rear wheels 8°)	680 mm	700 mm	720 mm	740 mm	760 mm	780 mm

Description	Dimensions Min.	Dimensions Max.
Overall length with foot bracket	755 mm	855 mm
Dismantled length (wheels dismantled)	580 mm	680 mm
Dismantled width (wheels dismantled)	430 mm	530 mm
Folded height	580 mm	
Total mass	11,7 kg	
Mass of heaviest part (without seat and back cushion, wheels)	± 7,05 kg	
Static stability downhill	14°	
Static stability uphill	6°	
Static stability sideways	7°	
Obstacle climbing	40 mm	
Seat plane angle	7°	
Effective seat depth	330 mm	420 mm
Seat surface height at front edge	with cushion: 470 mm without cushion: 430 mm	with cushion: 520 mm without cushion: 480 mm
Backrest angle	-7°	7°
Backrest height	230 mm	430 mm
Distance between foot bracket and seat	420 mm	480 mm
Angle between seat and foot bracket	-3°	
Distance between splash guard and seat	90 mm	
Front location of splash guard structure	Not applicable	
Handrim diameter	535 mm	
Horizontal location of axle (deflection)	40 mm	150 mm
Minimum turning radius	1000 mm	1200 mm

Rear wheels	22" x 1 3/8-Alu			24" x 1 1/8-Alu		
Tyre pressure, rear (driving) wheels	6 - 10 bar (65 - 145 psi)					
Angle of rear wheels	0°	2°	4°	6°	8°	
Steering wheels	3"		4"		5"	
Tyre pressure, steering wheels	Not applicable					
Storage and use temperature	+ 5 °C			+ 41 °C		
Storage and use humidity	30%			70%		
We reserve the right to introduce technical changes. Measurement tolerance ± 15 mm / 1,5 kg / 1,5°						

Table 1: Technical specifications Sagitta

Make	Vermeiren
Type	Manual wheelchair
Model	Sagitta SI
Maximum occupant mass	100 kg

Description	Dimensions					
Effective seat width	360 mm	380 mm	400 mm	420 mm	440 mm	460 mm
Overall width (depends on the seat width, angle of rear wheels 0°)	550 mm	570 mm	590 mm	610 mm	630 mm	650 mm
Overall width (depends on the seat width, angle of rear wheels 2°)	570 mm	590 mm	610 mm	630 mm	650 mm	670 mm
Overall width (depends on the seat width, angle of rear wheels 4°)	605 mm	625 mm	645 mm	665 mm	685 mm	705 mm
Overall width (depends on the seat width, angle of rear wheels 6°)	645 mm	665 mm	685 mm	705 mm	725 mm	745 mm
Overall width (depends on the seat width, angle of rear wheels 8°)	680 mm	700 mm	720 mm	740 mm	760 mm	780 mm
Description	Dimensions Min.			Dimensions Max.		
Overall length with foot bracket	755 mm			855 mm		
Dismantled length (wheels dismantled)	580 mm			680 mm		
Dismantled width (wheels dismantled)	430 mm			530 mm		
Folded height	580 mm					
Total mass	11,7 kg					
Mass of heaviest part (without seat and back cushion, wheels)	± 7,05 kg					
Static stability downhill	14°					
Static stability uphill	0°					
Static stability sideways	7°					
Obstacle climbing	40 mm					
Seat plane angle	0°			10°		
Effective seat depth	330 mm			420 mm		
Seat surface height at front edge	with cushion: 470 mm without cushion: 430 mm			with cushion: 520 mm without cushion: 480 mm		
Backrest angle	-7°			7°		
Backrest height	230 mm			430 mm		



Distance between foot bracket and seat	420 mm		480 mm		
Angle between seat and foot bracket	-6°		4°		
Distance between splash guard and seat	90 mm				
Front location of splash guard structure	Not applicable				
Handrim diameter	535 mm				
Horizontal location of axle (deflection)	40 mm		150 mm		
Minimum turning radius	1000 mm		1200 mm		
Rear wheels	22" x 1 3/8-Alu		24" x 1 1/8-Alu		
Tyre pressure, rear (driving) wheels	6 - 10 bar (65 - 145 psi)				
Angle of rear wheels	0°	2°	4°	6°	8°
Steering wheels	3"		4"		5"
Tyre pressure, steering wheels	Not applicable				
Storage and use temperature	+ 5 °C (+41 °F)		+ 41 °C (+106 °F)		
Storage and use humidity	30%		70%		
We reserve the right to introduce technical changes. Measurement tolerance ± 15 mm / 1,5 kg / 1,5°					

Table 2: Technical specifications Sagitta SI

**Service registration form**

This product (name):

was inspected (I), serviced (S), repaired (R) or disinfected (D):

By (stamp): Kind of work: I / S / R / D Date:	By (stamp): Kind of work: I / S / R / D Date:	By (stamp): Kind of work: I / S / R / D Date:
By (stamp): Kind of work: I / S / R / D Date:	By (stamp): Kind of work: I / S / R / D Date:	By (stamp): Kind of work: I / S / R / D Date:
By (stamp): Kind of work: I / S / R / D Date:	By (stamp): Kind of work: I / S / R / D Date:	By (stamp): Kind of work: I / S / R / D Date:
By (stamp): Kind of work: I / S / R / D Date:	By (stamp): Kind of work: I / S / R / D Date:	By (stamp): Kind of work: I / S / R / D Date:
By (stamp): Kind of work: I / S / R / D Date:	By (stamp): Kind of work: I / S / R / D Date:	By (stamp): Kind of work: I / S / R / D Date:



Vermeiren GROUP
Vermeirenplein 1 / 15
2920 Kalmthout
BE

website: www.vermeiren.com

Instructions for specialist dealer

This instruction manual is part and parcel of the product and must accompany every product sold.

Version: D, 2024-02

Basic UDI: 5415174 122106Sagitta JD
5415174 122106Sagitta SI QS

All rights reserved, including translation.