

# Alya

Compact size



*Compact size for transport*

The **Alya** is a very compact and foldable scooter. Easy to carry along, allowing the user access to the use of his scooter anytime and anywhere. With its large driving distance the Alya feels as comfortable outdoors as indoors.



- Telescopic steering column
- Clear battery indication
- Removable key

Folding chair for easy transport



*Silver-gray model  
with 17.4 Ah batteries*

- Removable lithium ION batteries
- Footsupport









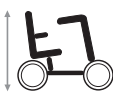






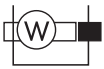
*Red model  
with 11.6 Ah batteries*



Model shown only for illustration purposes. Certain features may be optional.

Opening up new horizons in mobility

# Technical information Alya

								
6	12,8 18,6*	6°/10%	40	1420				
								
420	710-910	905	165x50 (4)	110	19,6 20,1*	115	24V / 11,6Ah 24V / 17,4Ah	180W

Measurements in mm and kg. Deviations in sizes and weight (15 mm and 1,5 kg) are possible. Theoretical driving range, in accordance with EU-rules and specifications, calculated under ideal situations. Speeds and driving range may vary (ca. 15%). \* Only for the silver-gray model

## Transport

The **Alya** scooter is a perfect transport scooter. Lightweight and compact in size and foldable in under a minute so perfectly portable.

Ideal for short distances and convenient to drive.

## Completely foldable

Turn the **Alya** off and remove the ignition key. Lower the steering column to the lowest position and pull up the yellow lever at the back. Then push the seating area down.

Fold up the foot plate and slide the **Alya** together. Pull the yellow knob at the bottom of the steering column and move it down. Now the **Alya** is completely ready for transport.



## Colours



## Your guarantee of quality

Regarding quality, the **Alya** complies with the highest norms, laid down by certified test institutes in most European countries.

## N.V. Vermeiren N.V.

Vermeirenplein 1-15  
B-2920 Kalmthout  
Belgium

Tel.: +32 (0) 3 620 20 20  
Fax: +32 (0) 3 666 48 94

[www.vermeiren.com](http://www.vermeiren.com) - [info@vermeiren.com](mailto:info@vermeiren.com)

For more information, contact your local dealer



**VERMEIREN**  
Opening up new horizons in mobility



Subject to technical alterations.